

# GREYFIELD SIMPLE SELECT SHOWER SYSTEM WITH SLIDE BAR AND HAND SHOWER

SKU: 953977

Code: SHGF8040, SH5001SSG, SHRSA123, SHRSB820RG, SHHS4110G, SHH1010, SHWE2040, SHSB3040, SHRSB82



## FEATURES

Material: Brass, ABS  
Shower Head Swivel: Yes  
Hand Shower Spray: Full  
Hand Shower Flow Rate: 1.8 gpm (6.8 L/min) @ 80 psi  
Connection Type: 1/2" MIP and SWT  
Diverter Outlets: 2  
Cartridge Type: Ceramic Disc

ASME A112.18.1/CSA B125.1, ASSE 1016 Type P, CEC Listed, WaterSense by IAPMO, Massachusetts Accepted, LISTED ID: SHHS4110G\*, SHH1010\*, SHRSB820RG\*, SHWE2040\*, SHGF8040\*, SH5001SSG, SHRSA123\*



## ADDITIONAL FEATURES

Greyfield Pressure Balance Shower Valve Trim :

- Metal handle.
- Metal escutcheon.
- Easy mounting brackets. Pressure Balance Rough-In Valve for Simple Select Trims:
- Dual functionality allows for one or both shower features to run at a time.
- Cast bronze body. 12" Wall-Mount Rainfall Shower Arm:
- Solid brass construction.
- Escutcheon included. "

8" Modern Round Rainfall Shower Head - 1.8 GPM :

- Single function shower head (full spray).
- Easy clean rubber nozzles.
- Brass ball joint. "

Round Paddle Multifunction Hand Shower :

- 3 function hand shower (full spray, massage spray, full & massage spray). Easy-clean spray nozzles.
- Factory installed backflow prevention check valve.

REVISED 6/10/2024

# GREYFIELD SIMPLE SELECT 2-WAY PRESSURE BALANCE SHOWER VALVE

SKU: 948973

Code: SHGF8040, SH5001SSG, SH484196, SH484197, SH485519, SH485518



## FEATURES

Material: Brass

Connection Type: 1/2" MIP and SWT

Diverter Outlets: 2

Cartridge Type: Ceramic Disc

ASME A112.18.1/CSA B125.1, ASSE 1016 Type P, Massachusetts Accepted, LISTED ID: SH5001SSG, SHGF8040\*



## ADDITIONAL FEATURES

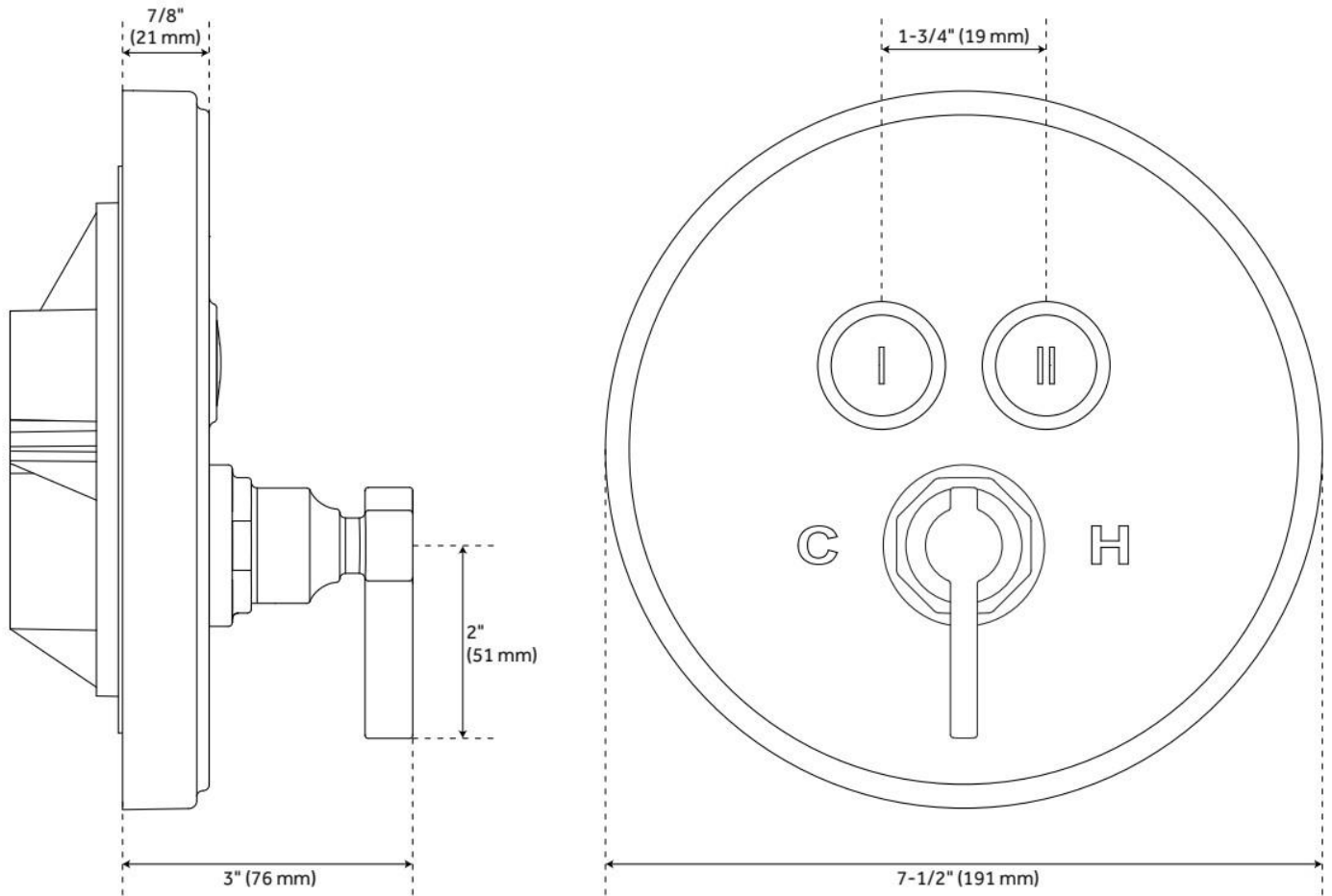
- Dual functionality allows for one or both shower features to run at a time.
- Optional Rough-in Valve:
  - Pressure balanced with integral stops.
  - One-piece cartridge design for ease of maintenance.
  - Back-to-back capability.
  - Adjustable temperature limit stop.
  - Cast bronze body.
  - Quick remove plaster guard.
  - Easy mounting brackets.
  - Valve Dimensions: 4-7/8" L x 4-3/8" W x 5-1/2" D .

REVISED 5/29/2024

# GREYFIELD SIMPLE SELECT 2-WAY PRESSURE BALANCE SHOWER VALVE

SKU: 948973

Code: SHGF8040, SH5001SSG, SH484196, SH484197, SH485519, SH485518



REVISED 5/29/2024

# ROUND PADDLE MULTIFUNCTION HAND SHOWER

SKU: 948920

Code: SHHS4110G, SH484202, SH485498

## FEATURES

Material: ABS

Hand Shower Spray: Full

Hand Shower Flow Rate: 1.8 gpm (6.8 L/min) @ 80 psi



ASME A112.18.1/CSA B125.1, CEC Listed, WaterSense by IAPMO, Massachusetts Accepted, LISTED ID: SHHS4110G\*



## ADDITIONAL FEATURES

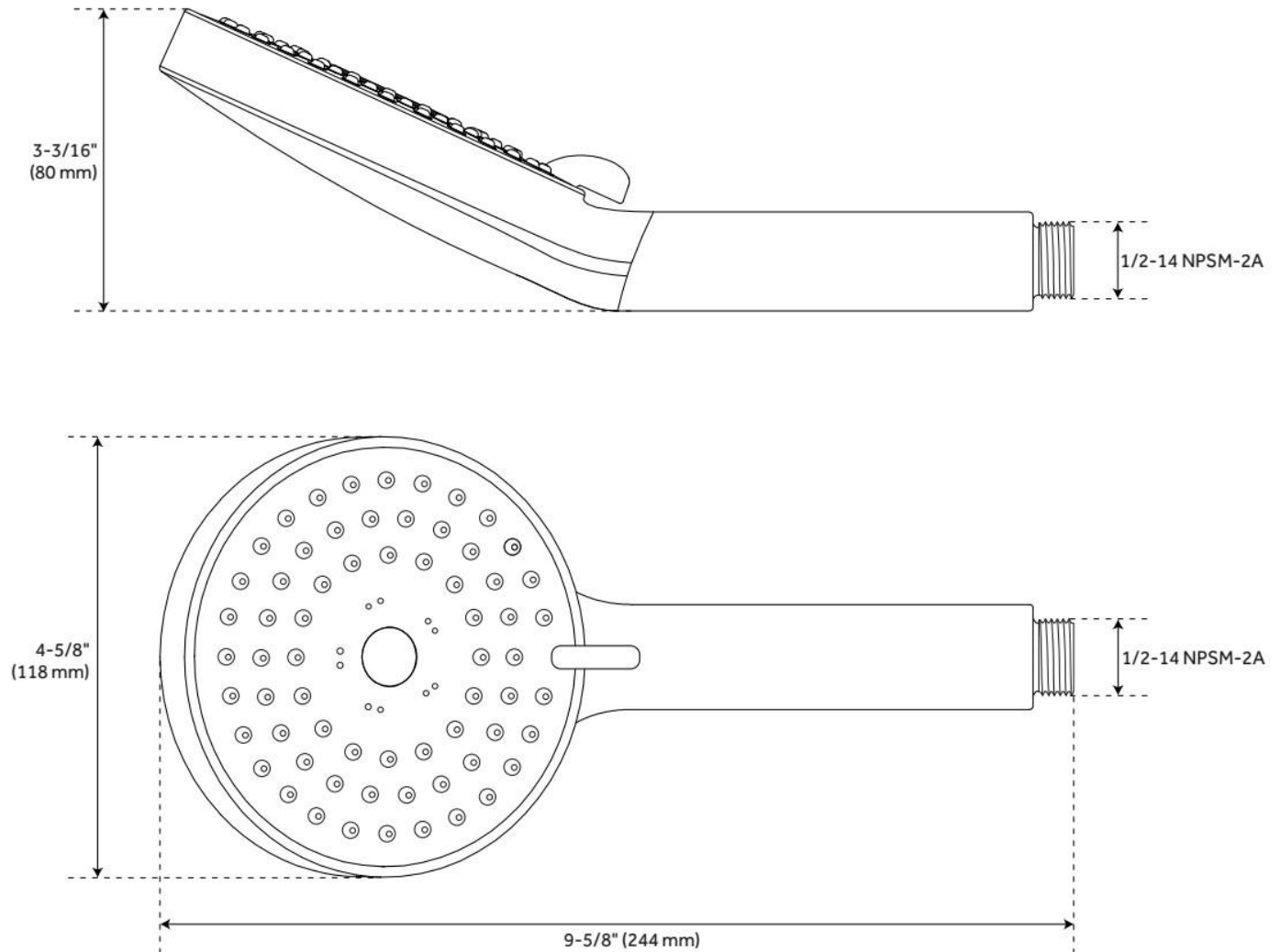
- 3 function hand shower (full spray, massage spray, full & massage spray).
- Easy-clean spray nozzles.
- Factory installed backflow prevention check valve.
- Hose sold separately.

REVISED 5/24/2024

# ROUND PADDLE MULTIFUNCTION HAND SHOWER

SKU: 948920

Code: SHHS4110G, SH484202, SH485498



REVISED 5/24/2024

# 60" STRETCHABLE METAL HAND SHOWER HOSE

SKU: 948938

Code: SHH1010, SH484205, SH485500, SHH1010PB

## FEATURES

Connection Type: 1/2" IPS



ASME A112.18.1/CSA B125.1, Massachusetts Accepted, LISTED ID: SHH1010\*



## ADDITIONAL FEATURES

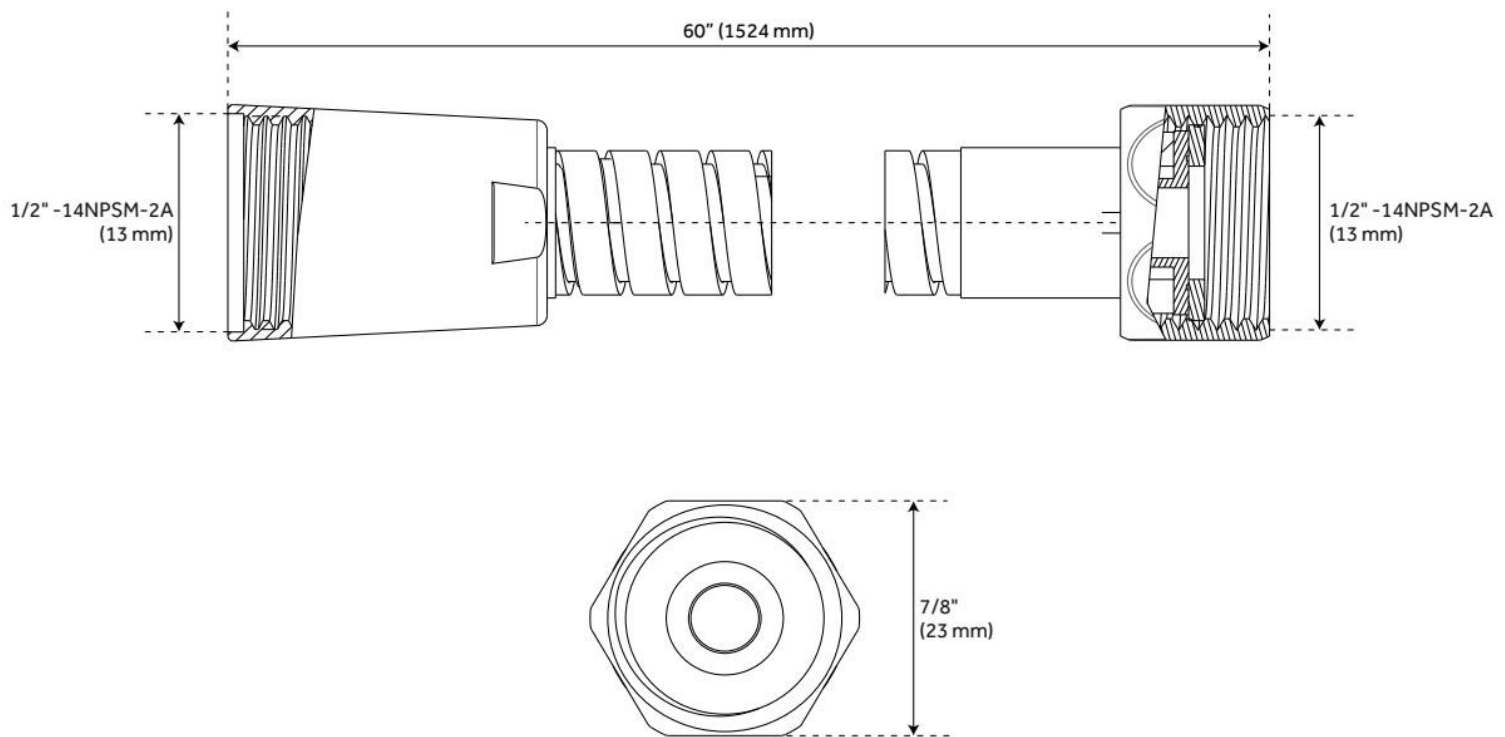
- 60" - 72" stretchable metal shower hose.
- Double spiral construction.
- Metal conical nut.

REVISED 5/24/2024

# 60" STRETCHABLE METAL HAND SHOWER HOSE

SKU: 948938

Code: SHH1010, SH484205, SH485500, SHH1010PB



REVISED 5/24/2024

# WALL-MOUNT RAINFALL SHOWER ARM

SKU: 948955

Code: SHRSA123, SHRSA181, SH485514, SHRSA150

## FEATURES

Material: Stainless Steel

Connection Type: 1/2" NPT



ASME A112.18.1/CSA B125.1, Massachusetts Accepted, LISTED ID: SHRSA123\*, SHRSA181\*, SHRSA150\*



## ADDITIONAL FEATURES

- All dimensions are ( $\pm 1/2$ ").
- Escutcheon included.

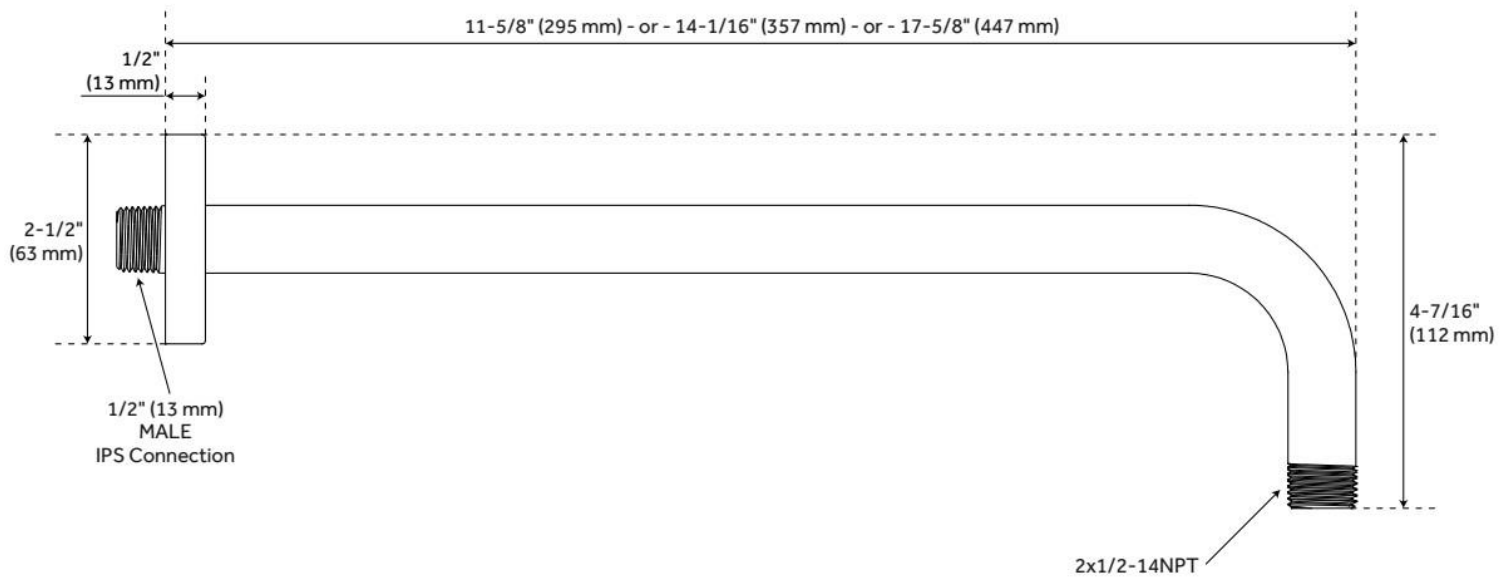
REVISED 6/10/2024



# WALL-MOUNT RAINFALL SHOWER ARM

SKU: 948955

Code: SHRSA123, SHRSA181, SH485514, SHRSA150



REVISED 6/10/2024

# CONTEMPORARY ROUND WATER SUPPLY ELBOW FOR HAND SHOWER

SKU: 932365

Code: SHWE2040, SH417826, SH484207, SH485502



## FEATURES

Material: Brass

Connection Type: 1/2" NPT

ASME A112.18.1/CSA B125.1, LISTED ID: SHWE2040\*



## ADDITIONAL FEATURES

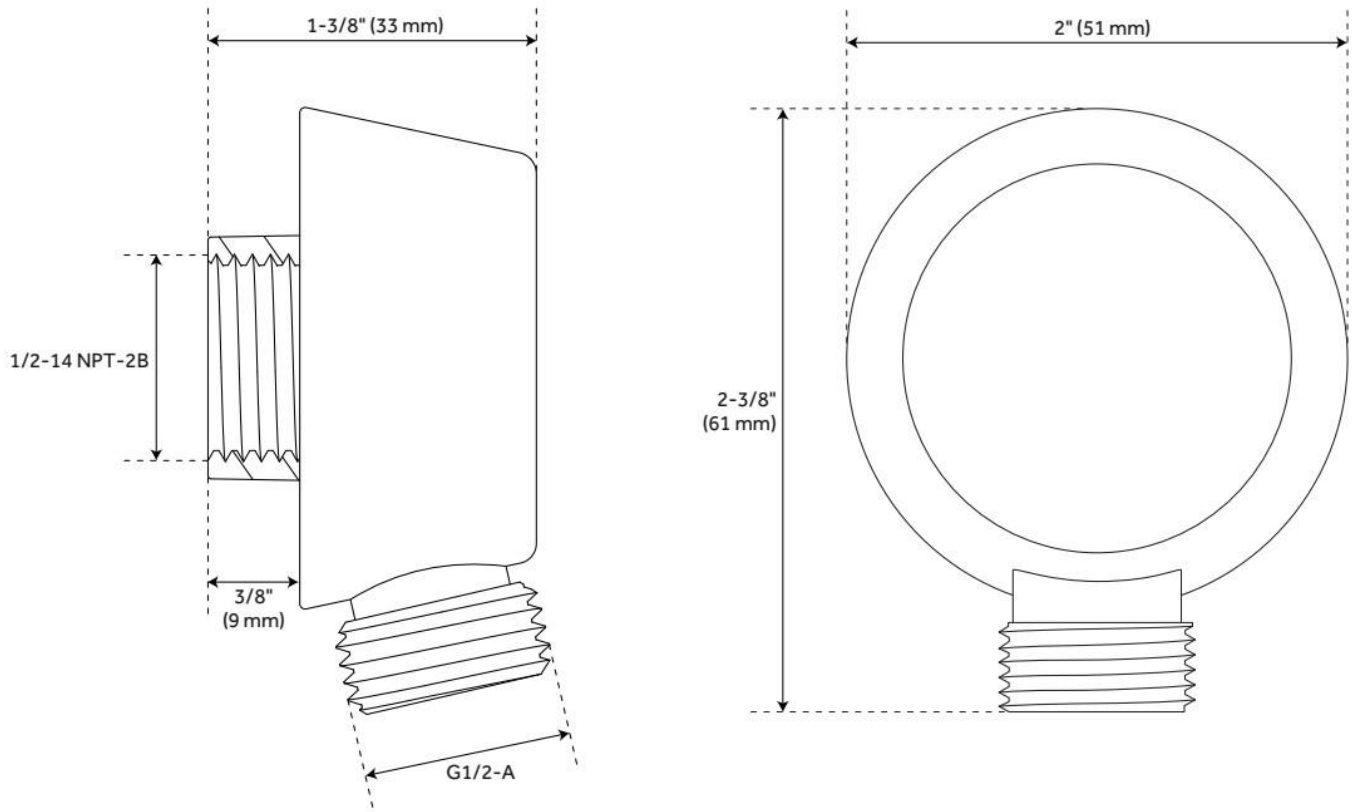
- 1/2" Female wall connection.
- 1/2" Male hose connection.

REVISED 6/5/2024

# CONTEMPORARY ROUND WATER SUPPLY ELBOW FOR HAND SHOWER

SKU: 932365

Code: SHWE2040, SH417826, SH484207, SH485502



REVISED 6/5/2024

# CONTEMPORARY SLIDE BAR FOR HAND SHOWER

SKU: 948919

Code: SHSB3040, SH484206, SH485501, SHSB3040PB



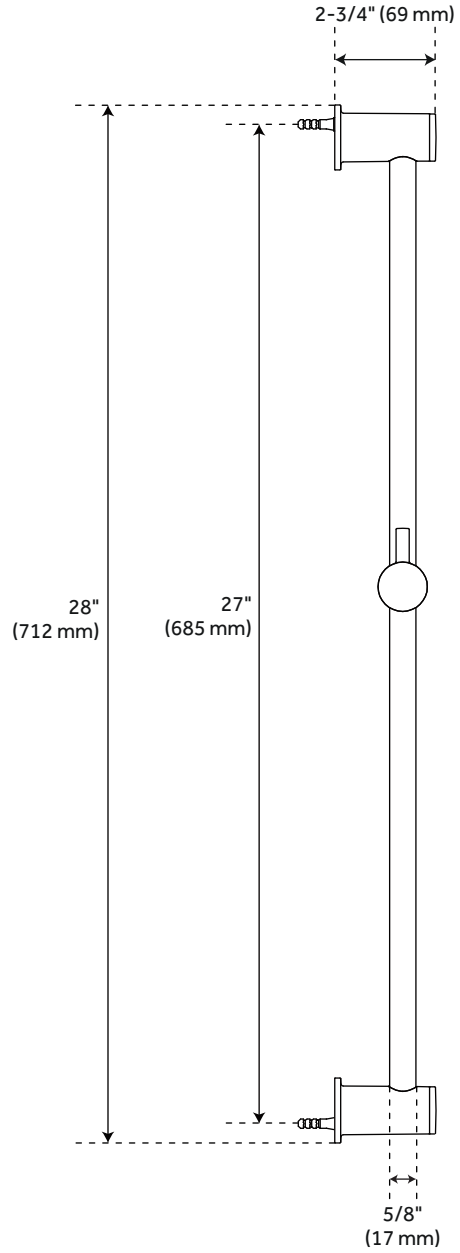
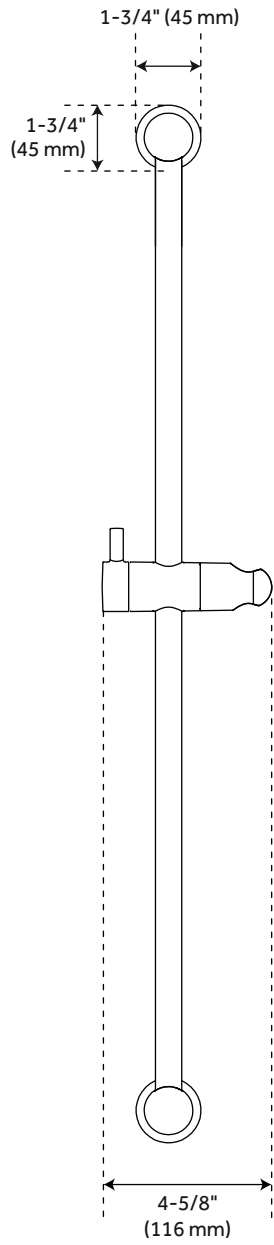
## FEATURES

Material: Brass

## ADDITIONAL FEATURES

- Metal bar and mounting posts.
- Adjustable angle for handshower mount.

REVISED 5/29/2024



# 8" MODERN ROUND RAINFALL SHOWER HEAD - 1.75 GPM

SKU: 948948-18

Code: SHRSB820RG, SH484203, SH485499, SHRSB820RGPB



## FEATURES

Material: ABS

Shower Head Swivel: Yes

Flow Rate: 1.75 gpm (6.6 L/min) @ 80 psi

ASME A112.18.1/CSA B125.1, CEC Listed, WaterSense by IAPMO, Massachusetts Accepted, LISTED ID:  
SHRSB820RG\*

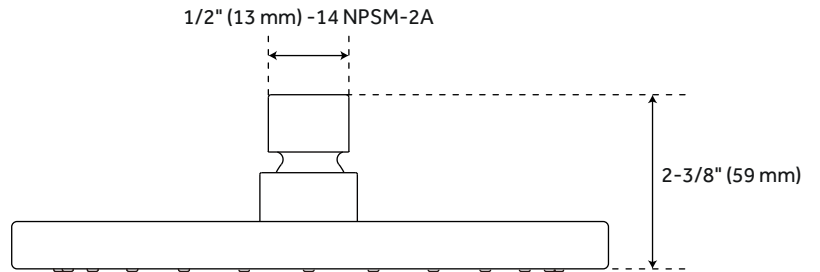
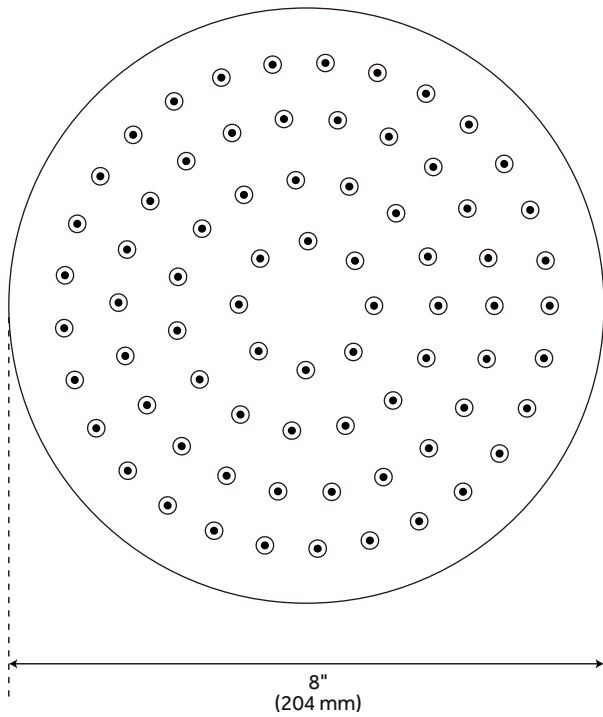


## ADDITIONAL FEATURES

- Single function shower head (full spray).
- Easy clean rubber nozzles.
- Brass ball joint.

REVISED 11/22/2024

# 8" MODERN ROUND RAINFALL SHOWER HEAD - 1.75 GPM



All dimensions and specifications are nominal and may vary. Use actual products for accuracy in critical situations.

# PRESSURE BALANCE ROUGH-IN VALVE FOR SIMPLE SELECT TRIMS

SKU: 460073  
Code: SH5001SSGG



## FEATURES

Material: Bronze  
Flow Rate: 7.4 gpm (28.0 L/min) @ 80 psi  
Connection Type: 1/2" MIP and SWT  
Diverter Outlets: 2  
Cartridge Type: Ceramic Disc

IAPMO, ASME A112.18.1/CSA B125.1, ASSE 1016 Type P, Massachusetts Accepted, LISTED ID: SH5001SSG



## ADDITIONAL FEATURES

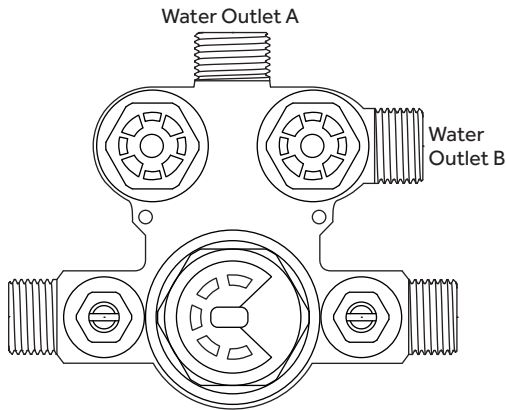
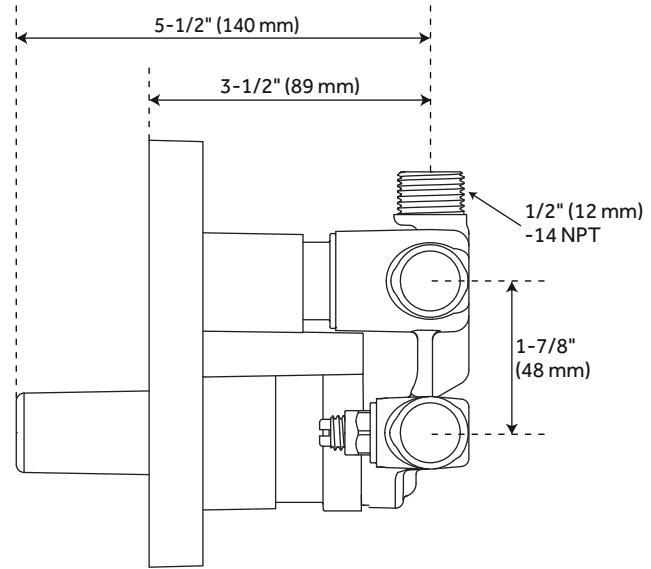
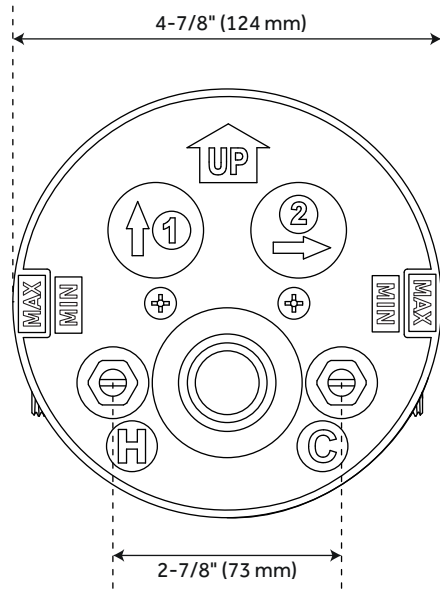
- Dual functionality allows for one or both shower features to run at a time.
- Pressure balanced with integral stops.
- One-piece cartridge design for ease of maintenance.
- Back-to-back capability.
- Adjustable temperature limit stop.
- Cast bronze body.
- Quick remove plaster guard.
- Easy mounting brackets.
- Compatible with Greyfield and Hibiscus Simple Select trims.

REVISED 5/29/2024



# PRESSURE BALANCE ROUGH-IN VALVE FOR SIMPLE SELECT TRIMS

SKU: 460073  
SH5001SSGG



## STANDARD:

Pressure (psi)		20	40	60	80
Simultaneous (Both Valves Open)	Total (gpm)	3.4	5	6.3	7.4
	Outlet A (gpm)	1.2	2.2	2.9	3.5
	Outlet B (gpm)	2.2	2.8	3.4	3.9
Separate (A or B Closed)	Outlet A (gpm)	2.5	3.9	4.8	5.5
	Outlet B (gpm)	2.5	3.9	4.8	5.5

## WITH FLOW RESTRICTOR:

Pressure (psi)		20	40	60	80
Simultaneous (Both Valves Open)	Total (gpm)	1.20	1.40	1.53	1.64
	Outlet A (gpm)	0.43	0.56	0.64	0.68
	Outlet B (gpm)	0.77	0.84	0.89	0.96
Separate (A or B Closed)	Outlet A (gpm)	1.17	1.38	1.49	1.59
	Outlet B (gpm)	1.16	1.39	1.49	1.60

All dimensions and specifications are nominal and may vary. Use actual products for accuracy in critical situations.