

# GREYFIELD SIMPLE SELECT SHOWER SYSTEM WITH HAND SHOWER

SKU: 953978

Code: SHGF8040, SH5001SSG, SHRSA123, SHRSB820RG, SHHS4110G, SHH1010, SHWES2050



ASME A112.18.1/CSA B125.1

ASSE 1016 Type P

CEC Listed

WaterSense by IAPMO

LISTED ID: SH5001SSG, SHH1010\*, SHHS4110G\*,  
SHRSB820RG\*, aSHGF8040\*, SHWES2050xy,  
SHRSA123\*\*



## FEATURES

Installation Type: Wall Mount

Features: Simple Select, Rough-In Included

Design: Modern

Material: Brass,ABS

Mounting Hardware Included: Yes

Assembly Required: Yes

Shape: Round

Handle Type: Lever

NPT Connection: 1/2"

Shower Head Installation Type: Wall

Number of Shower Heads: 1

Shower Head Spray: Single Function

Shower Head Length: 8"

Shower Head Width: 8"

Shower Arm Included: Yes

Shower Arm Extension: 12-3/8"

Shower Arm Height: 5-3/8"

Shower Head: 1/2" NPSM

Shower Head Swivel: Yes

Valve Trim Width: 7-1/2"

Valve Trim Height: 7-1/2"

Hand Shower Length: 9-5/8"

Hand Shower Hose Length: 60"

Hand Shower Material: ABS

Hand Shower Flow Rate: 1.8 gpm (6.8 L/min) @ 80 psi

Diverter Included: Yes

Diverter Outlets: 3

Shower Head Flow Rate: 1.8 gpm (6.8 L/min) @ 80 psi

Rainfall Shower Head Flow Rate: 1.8 gpm (6.8 L/min) @ 80 psi

Ceramic Disc Cartridges: Yes

REVISED 1/15/2024

# GREYFIELD SIMPLE SELECT SHOWER SYSTEM WITH HAND SHOWER

SKU: 953978

Code: SHGF8040, SH5001SSG, SHRSA123, SHRSB820RG, SHHS4110G, SHH1010, SHWES2050



## ADDITIONAL FEATURES

Greyfield Pressure Balance Shower Valve Trim :

- Metal handle.
- Metal escutcheon. Pressure Balance Rough-In Valve for Simple Select Trims:
- Dual functionality allows for one or both shower features to run at a time.
- Cast bronze body.
- Easy mounting brackets.

12" Wall-Mount Rainfall Shower Arm:

- Solid brass construction.
- Escutcheon included.

8" Modern Round Rainfall Shower Head - 1.8 GPM:

- Single function shower head (full spray).
- Easy clean rubber nozzles.
- Brass ball joint.

Round Paddle Multifunction Hand Shower :

- 3 function hand shower (full spray, massage spray, full & massage spray).
- Easy-clean spray nozzles. Factory installed backflow prevention check valve.

60" Stretchable Metal Hand Shower Hose:

- Double spiral constructed hose.

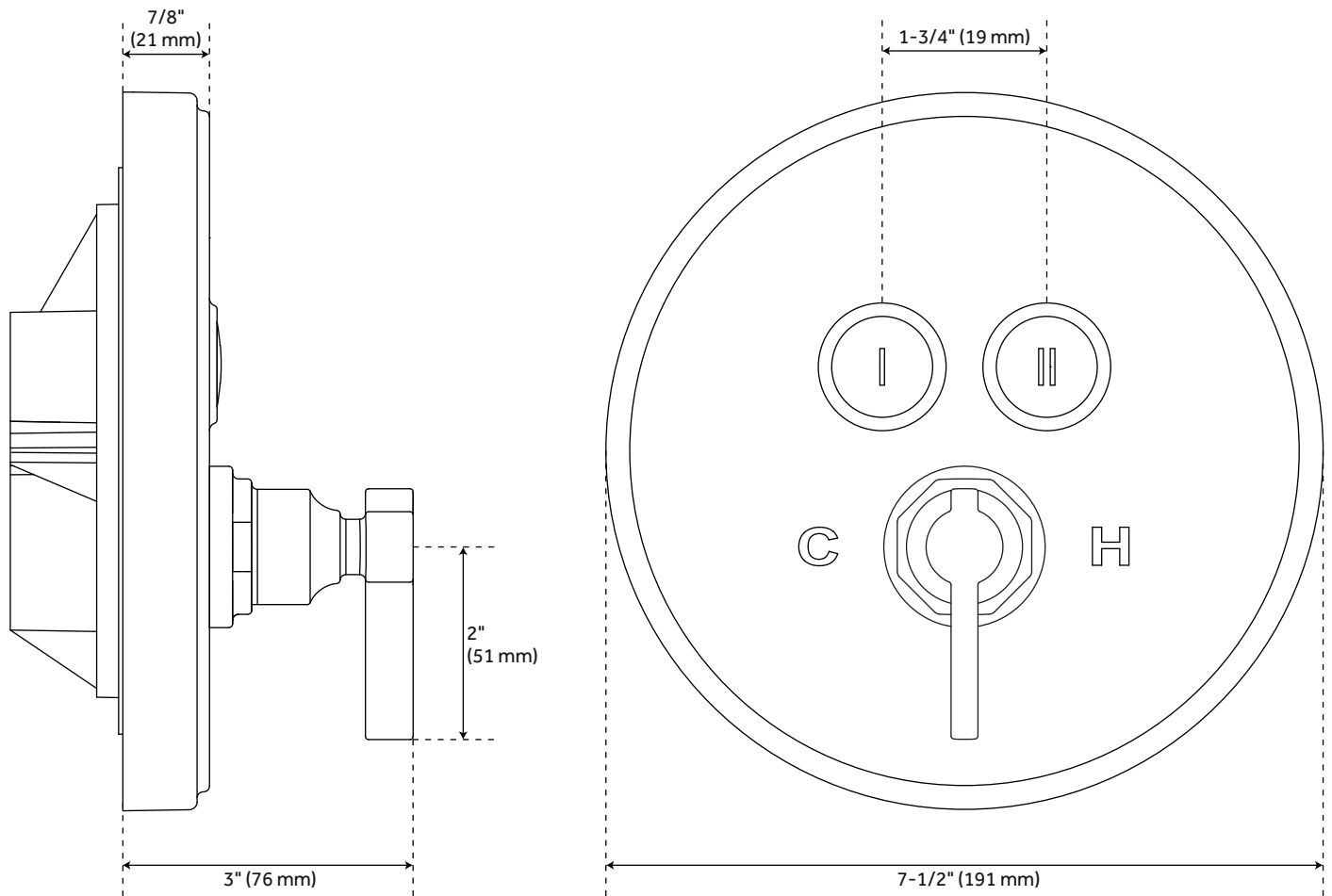
Swivel Water Supply Elbow and Bracket for Hand Shower:

- 1/2" Female wall connection.
- 1/2" Male hose connection.
- Brass inlet/outlet, ABS body.

REVISED 1/15/2024

# GREYFIELD SIMPLE SELECT 2-WAY PRESSURE BALANCE SHOWER VALVE TRIM

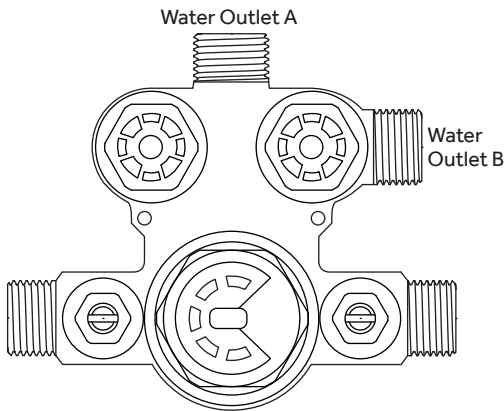
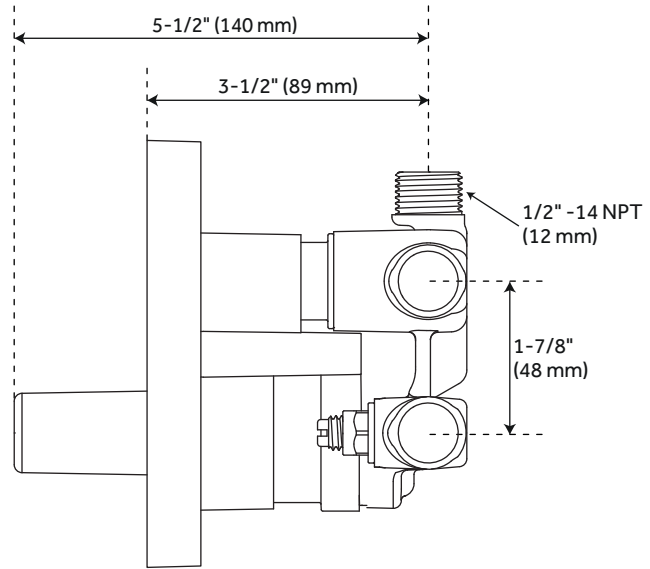
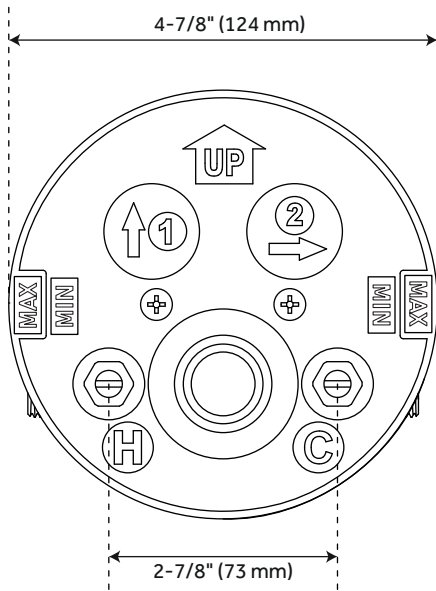
CODE: SHGF8040



All dimensions and specifications are nominal and may vary. Use actual products for accuracy in critical situations.

# GREYFIELD OPTIONAL PRESSURE BALANCE ROUGH-IN VALVE

CODE: SH5001SSG



## STANDARD:

Pressure (psi)		20	40	60	80
Simultaneous (Both Valves Open)	Total (gpm)	3.4	5	6.3	7.4
	Outlet A (gpm)	1.2	2.2	2.9	3.5
	Outlet B (gpm)	2.2	2.8	3.4	3.9
Separate (A or B Closed)	Outlet A (gpm)	2.5	3.9	4.8	5.5
	Outlet B (gpm)	2.5	3.9	4.8	5.5

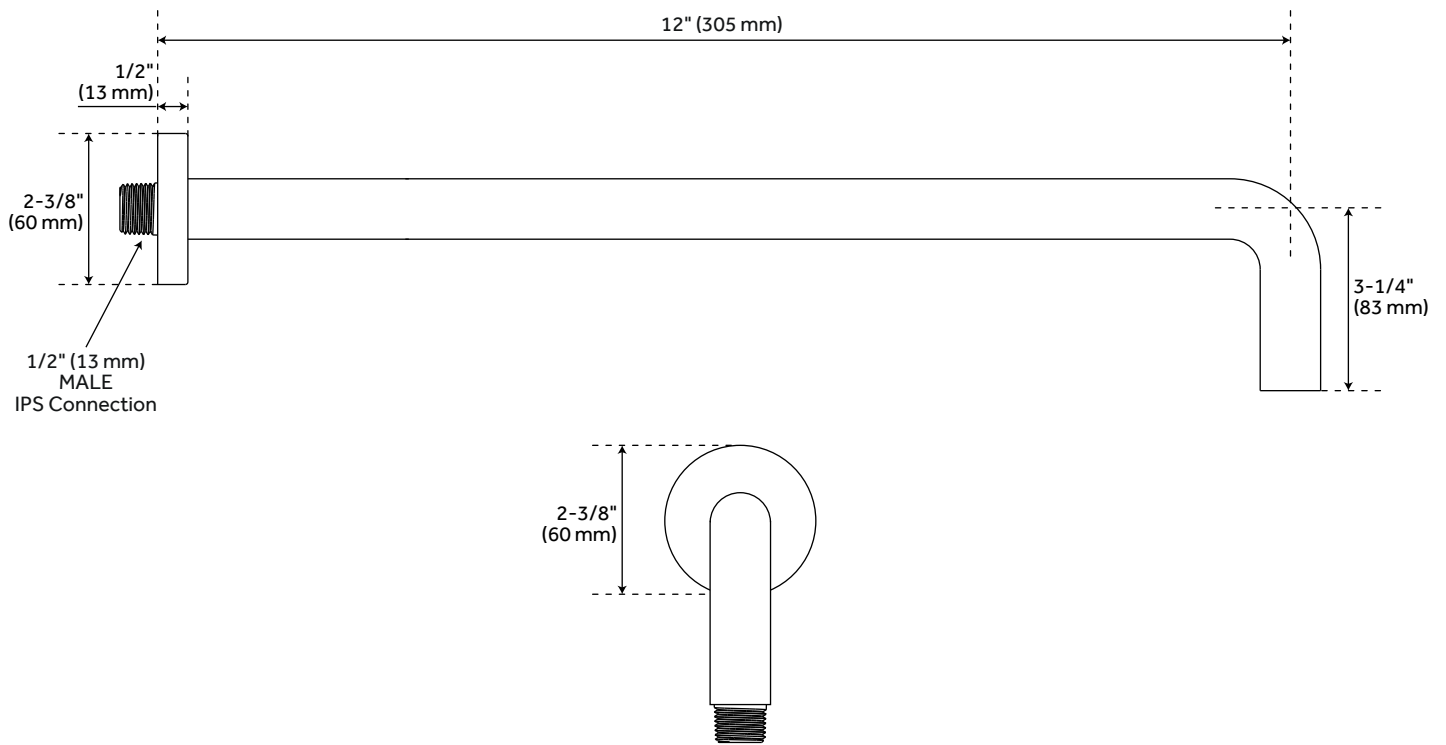
## WITH FLOW RESTRICTOR:

Pressure (psi)		20	40	60	80
Simultaneous (Both Valves Open)	Total (gpm)	1.20	1.40	1.53	1.64
	Outlet A (gpm)	0.43	0.56	0.64	0.68
	Outlet B (gpm)	0.77	0.84	0.89	0.96
Separate (A or B Closed)	Outlet A (gpm)	1.17	1.38	1.49	1.59
	Outlet B (gpm)	1.16	1.39	1.49	1.60

All dimensions and specifications are nominal and may vary. Use actual products for accuracy in critical situations.

# GREYFIELD WALL-MOUNT SHOWER ARM

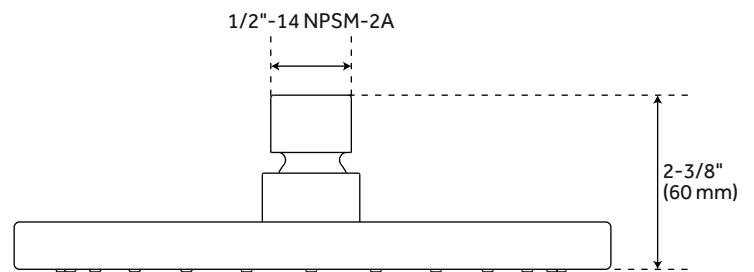
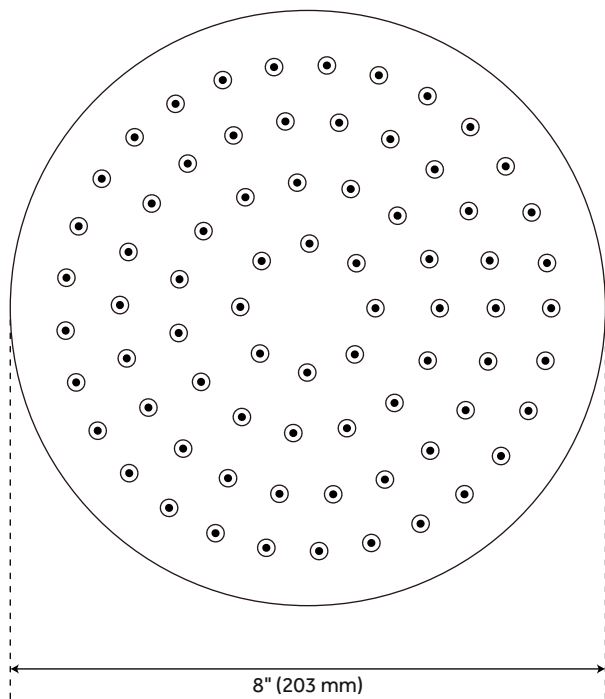
CODE: SHRSA123



All dimensions and specifications are nominal and may vary. Use actual products for accuracy in critical situations.

# GREYFIELD RAINFALL SHOWER HEAD

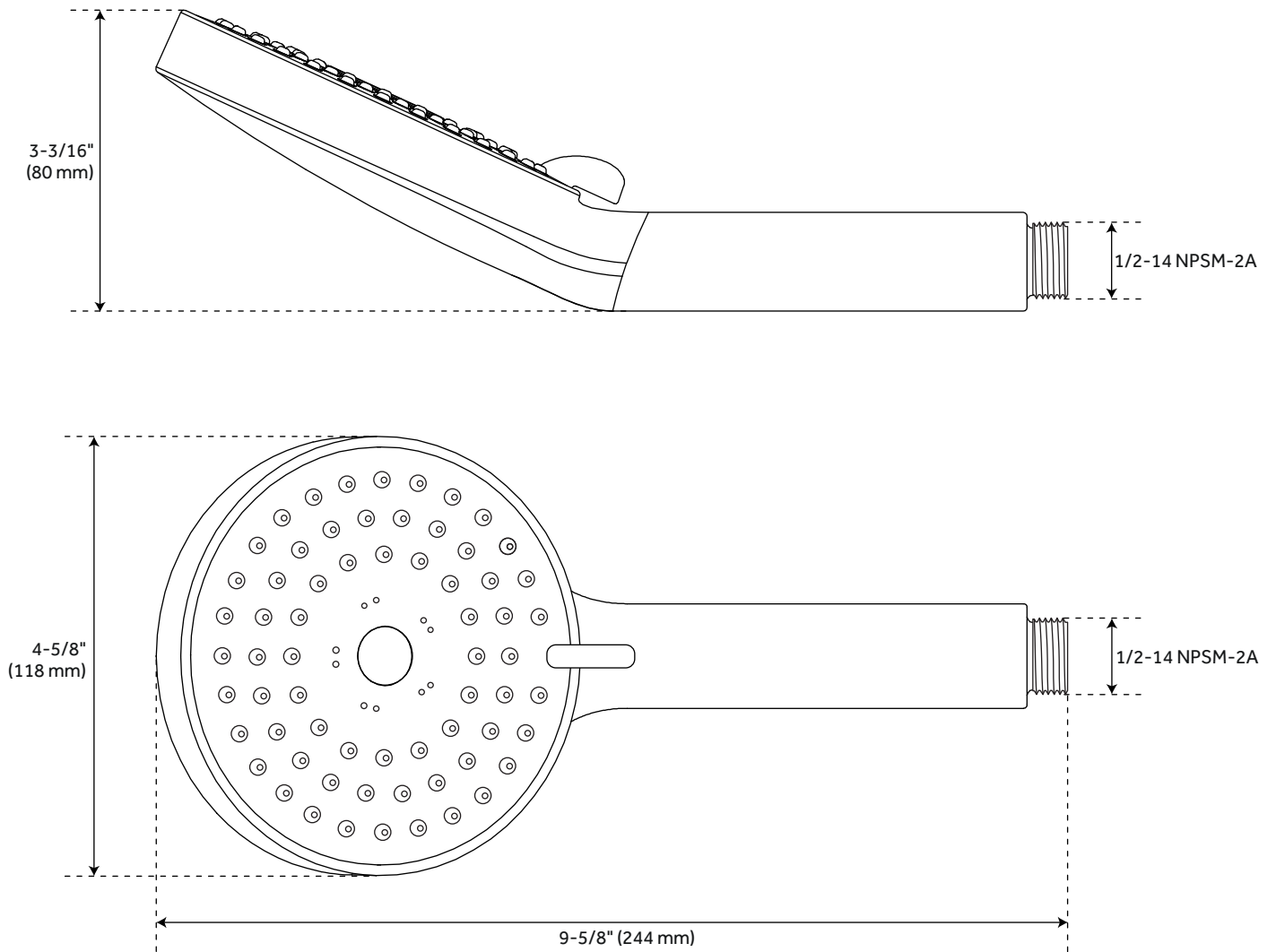
CODE: SHRSB820RG



All dimensions and specifications are nominal and may vary. Use actual products for accuracy in critical situations.

# GREYFIELD MULTIFUNCTION HAND SHOWER

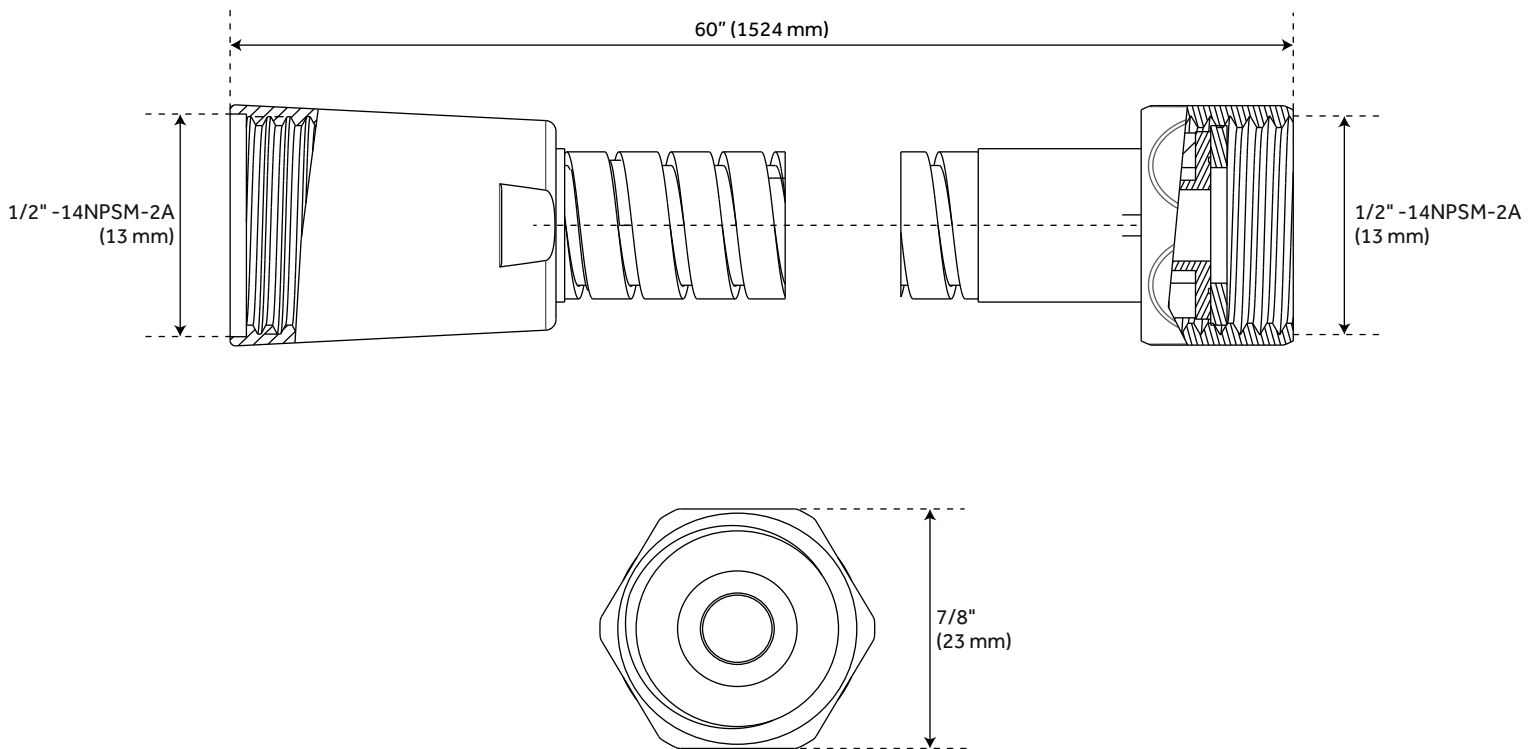
CODE: SHHS4110G



All dimensions and specifications are nominal and may vary. Use actual products for accuracy in critical situations.

# GREYFIELD HAND SHOWER HOSE

CODE: SHH1010

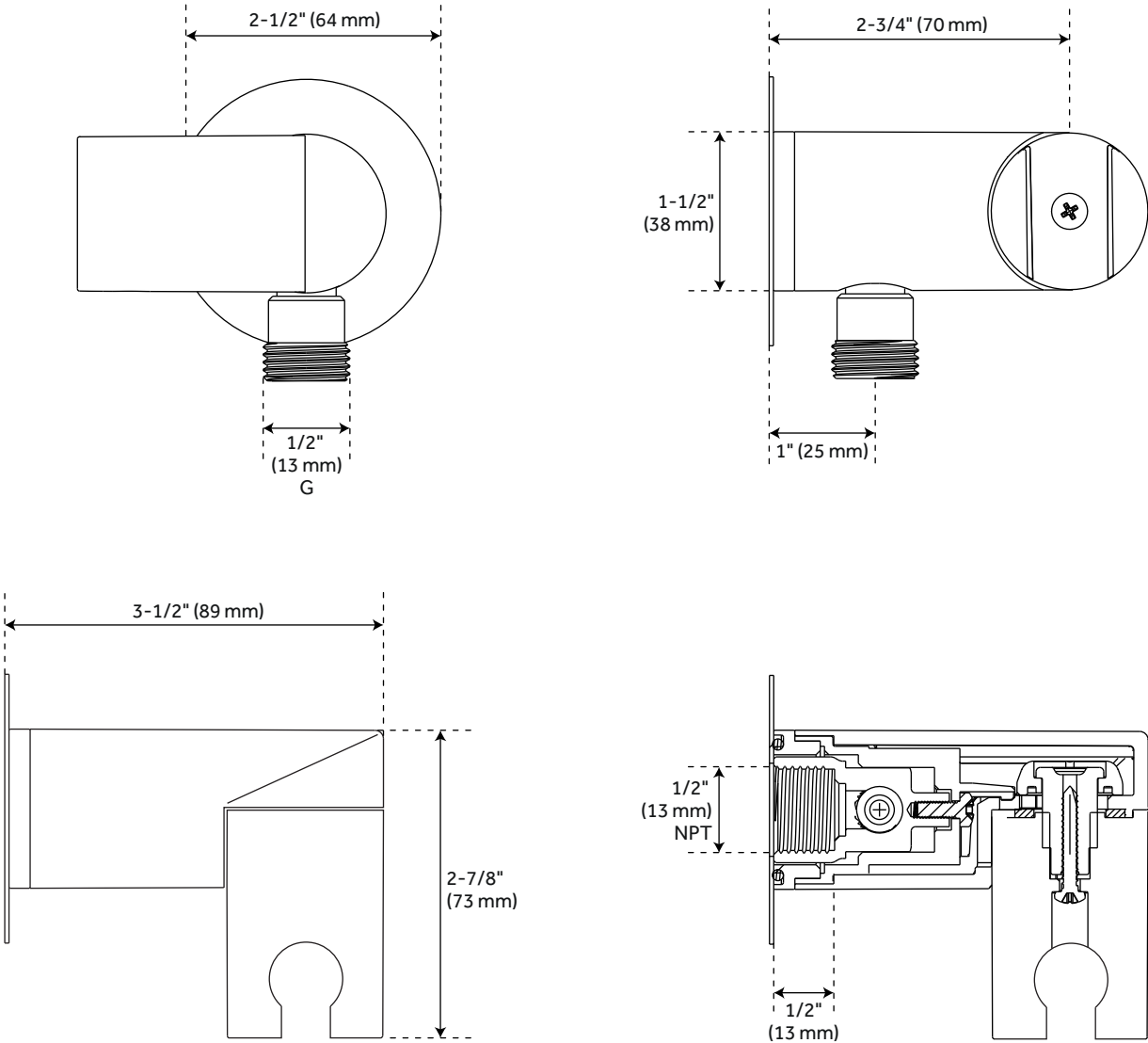


All dimensions and specifications are nominal and may vary. Use actual products for accuracy in critical situations.



# GREYFIELD SWIVEL WATER SUPPLY ELBOW AND BRACKET

CODE: SHWES2050



All dimensions and specifications are nominal and may vary. Use actual products for accuracy in critical situations.