

SEFINA SINGLE-HOLE BATHROOM FAUCET

SKU: 953981
Code: SHWSCSF107



FEATURES

Material: Metal construction for strength and durability
Faucet Centers: Single-Hole
Installation Type: Single-Hole
Flow Rate: 1.2 gpm (4.5 L/min) @ 60 psi
Cartridge Type: Ceramic Disc
Swivel Spout: No
Drain Type: Metal push-pop with overflow

ASME A112.18.1/CSA B125.1, NSF/ANSI 372, NSF/ANSI 61, NSF/ANSI/CAN 61, NSF/ANSI/CAN 61-9:Q≤1, CEC Listed, WaterSense by IAPMO, Massachusetts Accepted, LISTED ID: SHWSCSF107**



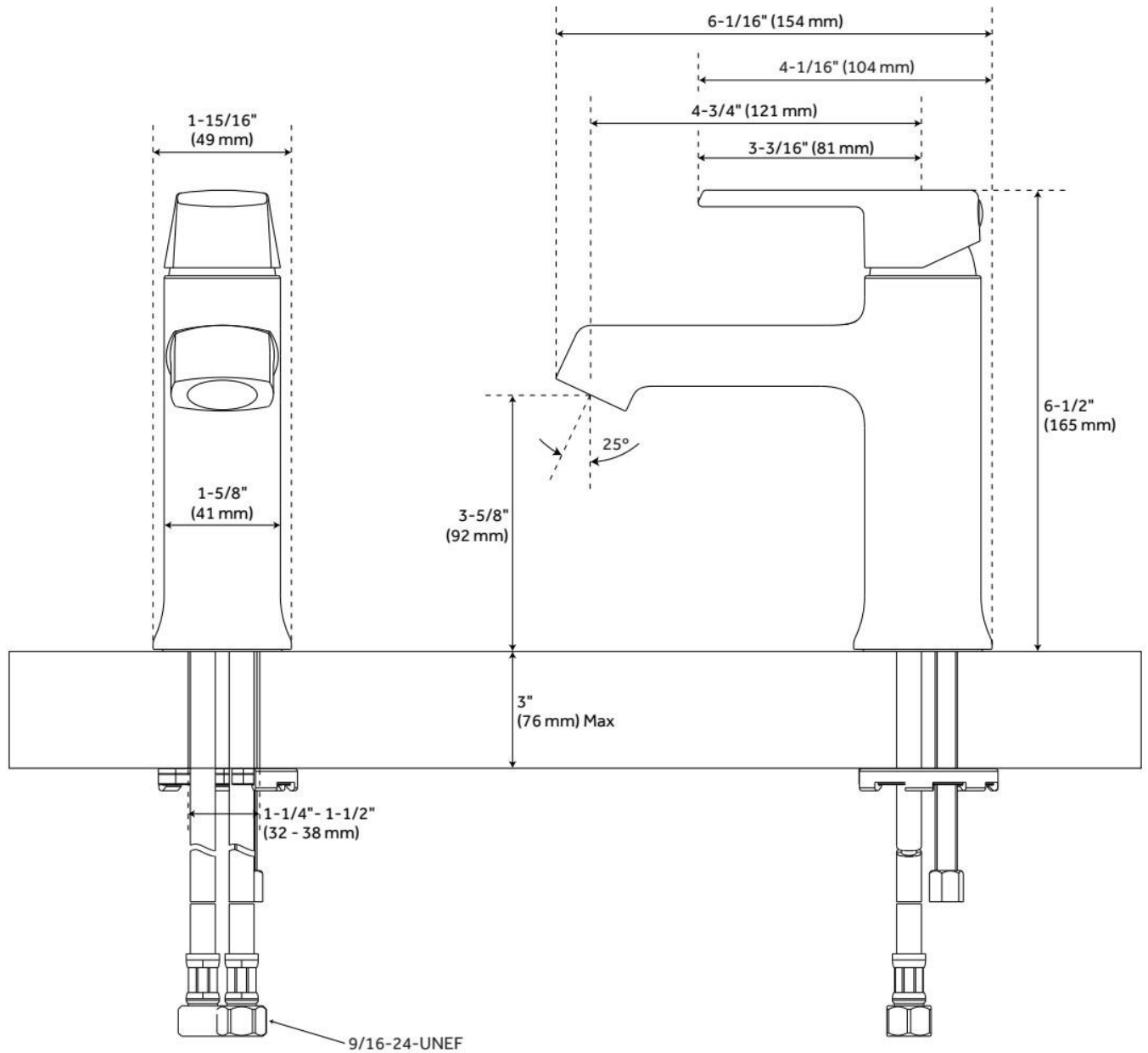
ADDITIONAL FEATURES

- Metal construction for ultimate strength and durability.
- Drain is compatible with sinks that have an overflow hole.
- Included deck plate can convert faucet from a single-hole installation to a 4" centerset.

REVISED 9/11/2024

SEFINA SINGLE-HOLE BATHROOM FAUCET

SKU: 953981
Code: SHWSCSF107

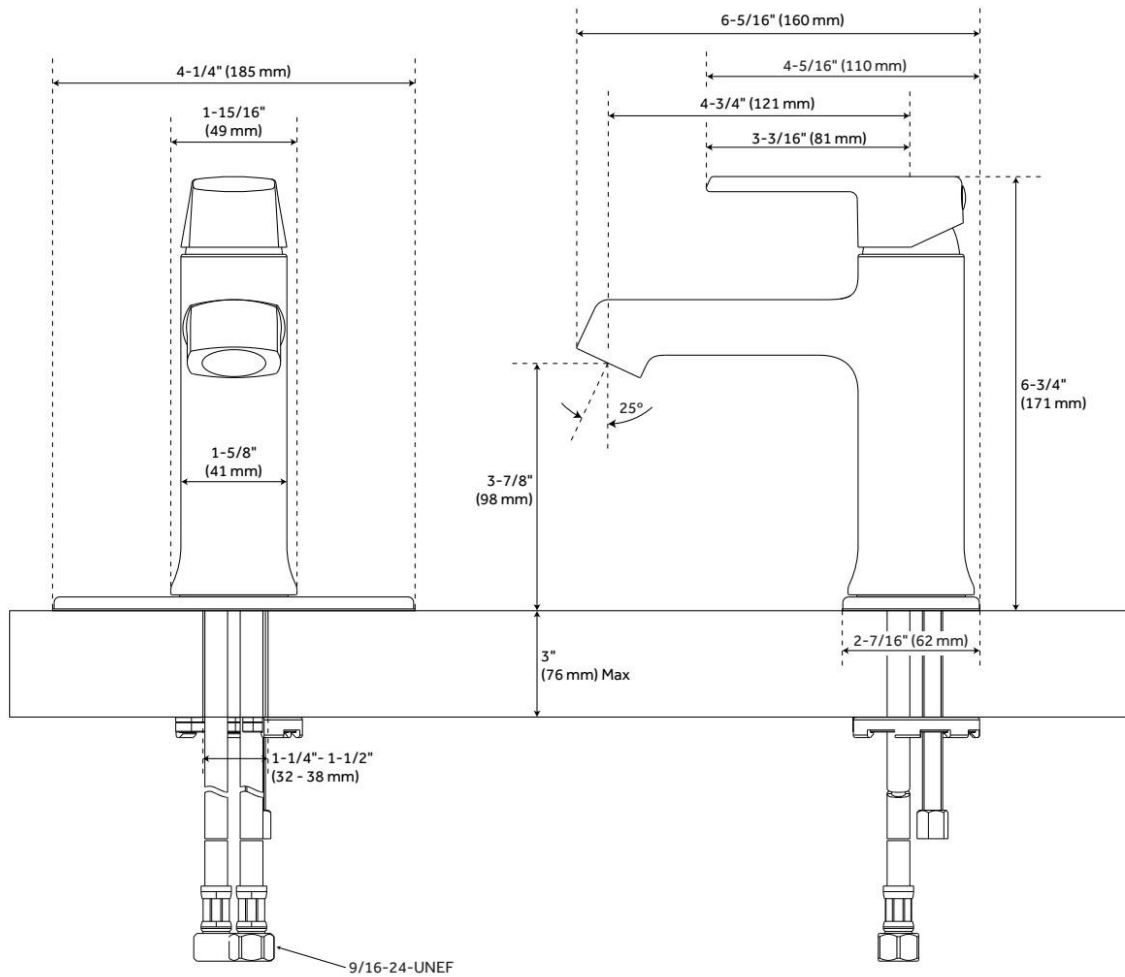


REVISED 9/11/2024

SEFINA SINGLE-HOLE BATHROOM FAUCET

SKU: 953981

Code: SHWSCSF107

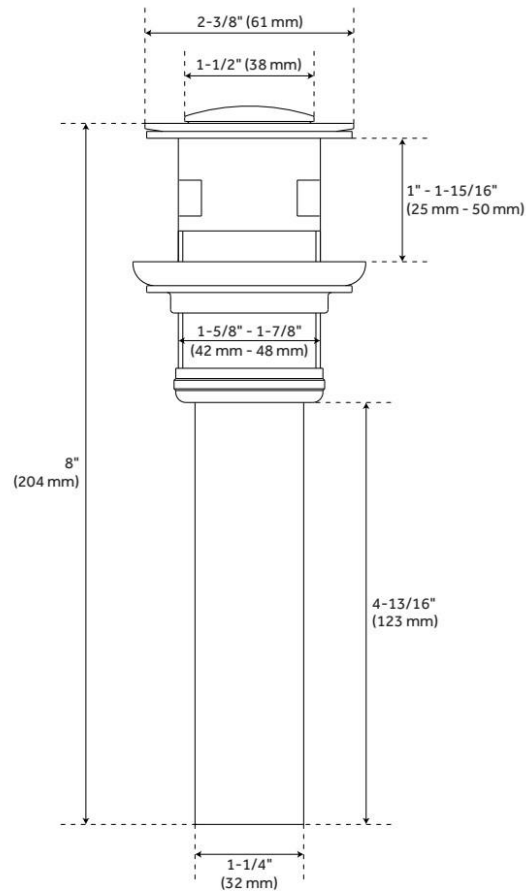


REVISED 9/11/2024

SEFINA SINGLE-HOLE BATHROOM FAUCET

SKU: 953981

Code: SHWSCSF107



REVISED 9/11/2024