

SEFINA WALL-MOUNT TUB FAUCET

SKU: 953984

Code: SHSFWMTF, SHWMR2000



FEATURES

Material: Metal construction for strength and durability

Installation Type: Wall Mount

Cartridge Type: Ceramic Disc

Swivel Spout: No

Required for Installation: Rough-in valve: SHWMR2000

ASME A112.18.1/CSA B125.1, NSF/ANSI 372, NSF/ANSI 61, NSF/ANSI/CAN 61, Massachusetts Accepted



C

ADDITIONAL FEATURES

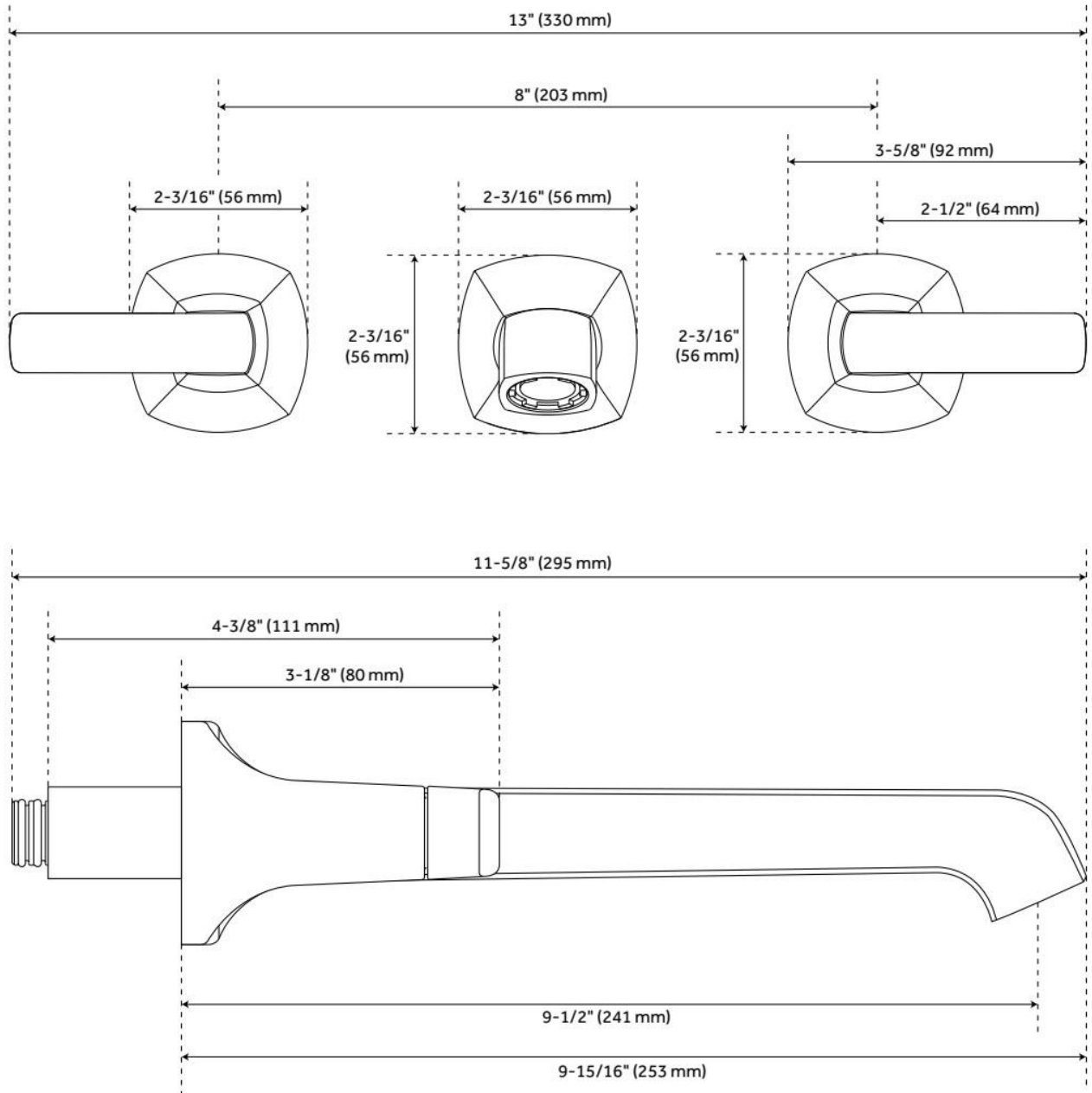
- Metal construction for ultimate strength and durability.
- Fits 3-hole 8" wall installations.
- Drain assembly sold separately.
- Flow rate of 14 gpm (53/L per minute) @ 60 psi when used purchased with valve. Valve required for use. (SHWMR2000)

REVISED 5/13/2024

SEFINA WALL-MOUNT TUB FAUCET

SKU: 953984

Code: SHSFWMTF, SHWMR2000



REVISED 5/13/2024

WALL-MOUNT FAUCET ROUGH-IN VALVE

SKU: 485019
Code: SHWMR2000

FEATURES

Cartridge Type: Ceramic Disc



ASME A112.18.1/CSA B125.1, NSF/ANSI 372, NSF/ANSI 61, NSF/ANSI/CAN 61, NSF/ANSI/CAN 61-9:Q≤1, Massachusetts Accepted, LISTED ID: SHWMR2000



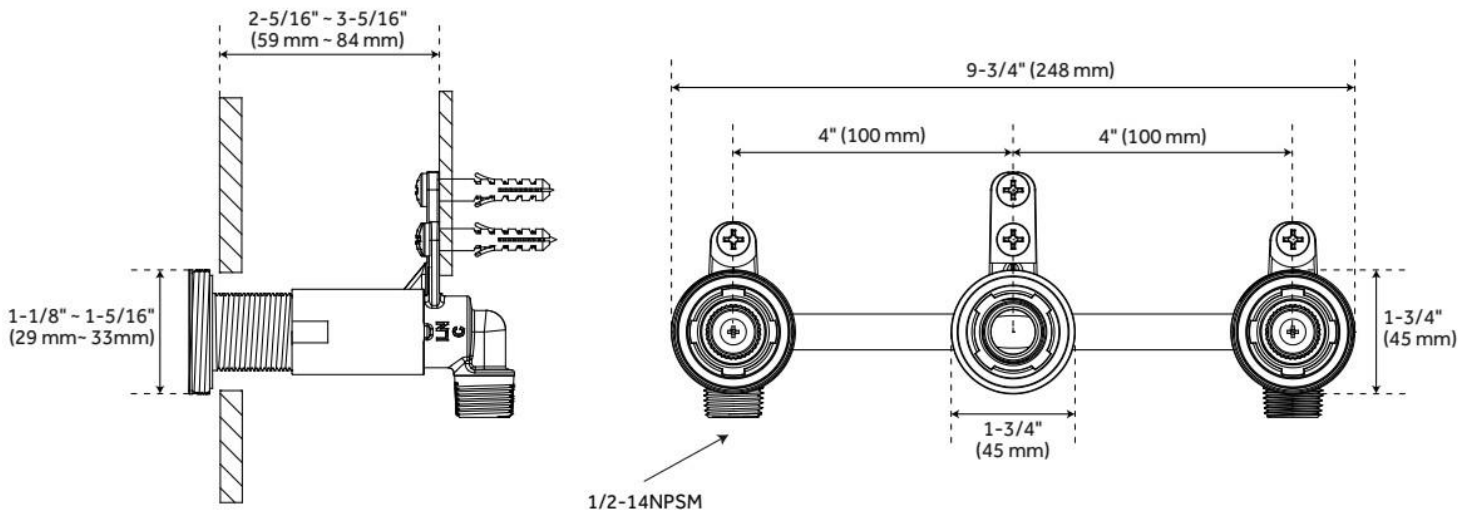
ADDITIONAL FEATURES

- Durable brass construction.
- Ceramic cartridge.
- Flow rate of 14 gpm (53/L per minute) @ 60 psi when used with a wall mount tub faucet.
- Flow rate of 1.2 gpm (4.54L/per minute) @ 60 psi when used with a wall mount lav faucet.

REVISED 5/13/2024

WALL-MOUNT FAUCET ROUGH-IN VALVE

SKU: 485019
Code: SHWMR2000



REVISED 5/13/2024