

SEFINA PRESSURE BALANCE TUB AND SHOWER SYSTEM

SKU: 954018

Code: SHSF8010, SH4001, SHRSA124, SHRSB820RG, SHTS75



FEATURES

Material: Metal

Shower Head Swivel: Yes

Cartridge Type: Ceramic Disc

ASME A112.18.1/CSA B125.1, ASSE 1016 Type P, CEC Listed, WaterSense by IAPMO, Massachusetts Accepted, LISTED ID: SH4001, SHRSB820RG*, SHSF8010**, SHTS75**, SHRSA124XX



ADDITIONAL FEATURES

- Metal construction for ultimate strength and durability.
- Single function shower head.
- Tub spout diverter.
- Slip-fit tub spout.
- Included Rough-in valve:
 - Pressure balance valve with integral stops.
 - One-piece cartridge design for ease of maintenance.
 - Back-to-back capability.
 - Ceramic disc valve cartridge.
 - Cast bronze valve body.
 - Adjustable temperature limit stop.
 - Quick remove plaster guard.
 - Easy mounting brackets.

REVISED 6/28/2024

SEFINA PRESSURE BALANCE SHOWER TRIM

SKU: 953986

Code: SHSF8010, SH4001



FEATURES

Material: Metal

ASME A112.18.1/CSA B125.1, ASSE 1016 Type P, Massachusetts Accepted, LISTED ID: SH4001, SHSF8010**



ADDITIONAL FEATURES

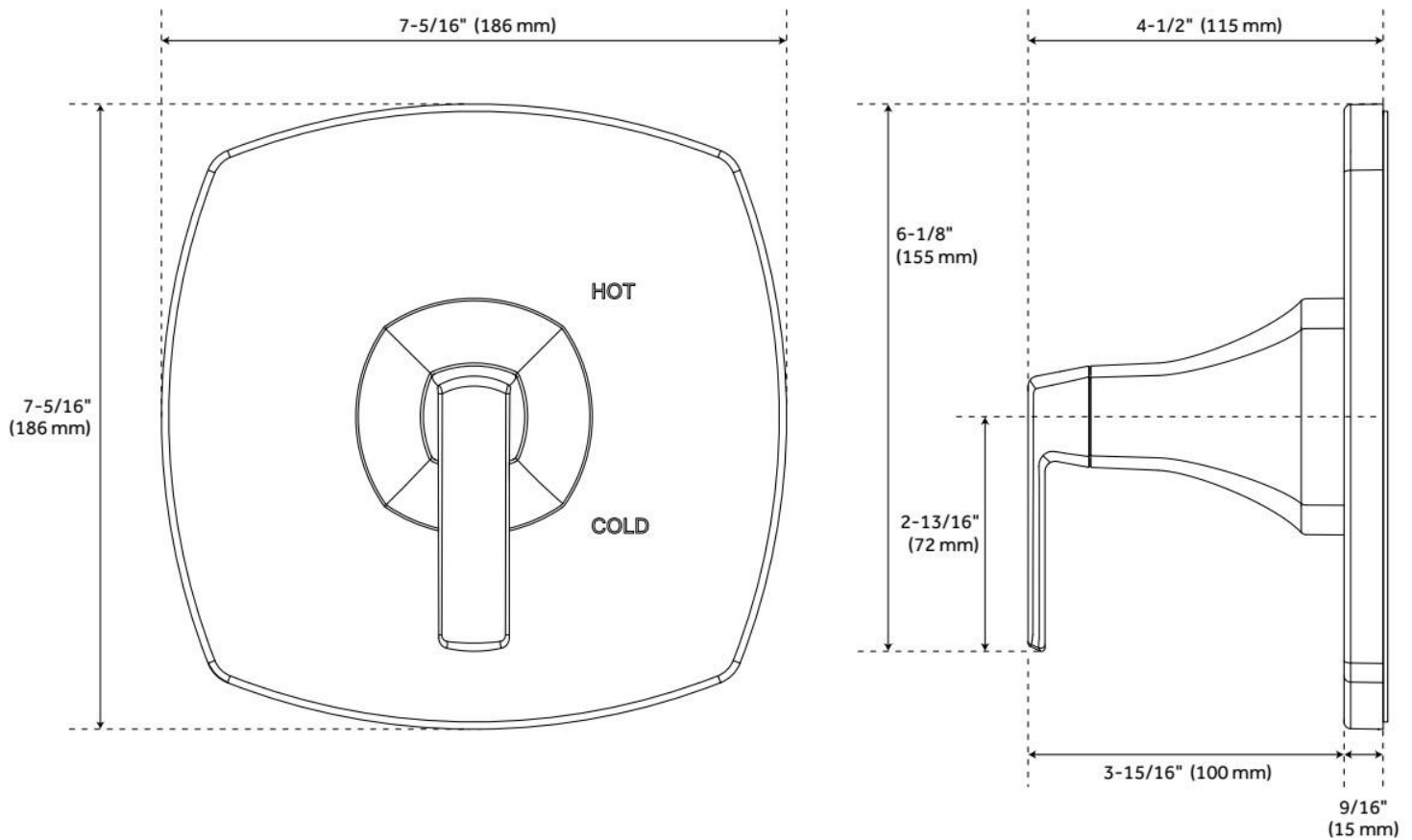
- Metal construction for ultimate strength and durability.
- May purchase with or without valve. Value required for use. (SH4001)
- When purchased with Rough-in Valve:
 - Pressure balance valve with integral stops.
 - One-piece cartridge design for ease of maintenance.
 - Back-to-back capability.
 - Ceramic disc valve cartridge.
 - Cast bronze valve body.
 - Adjustable temperature limit stop.
 - Quick remove plaster guard.
 - Easy mounting brackets.

REVISED 6/27/2024

SEFINA PRESSURE BALANCE SHOWER TRIM

SKU: 953986

Code: SHSF8010, SH4001



REVISED 6/27/2024

8" MODERN ROUND RAINFALL SHOWER HEAD - 1.75 GPM

SKU: 948948-18

Code: SHRSB820RG, SH484203, SH485499, SHRSB820RGPB



FEATURES

Material: ABS

Shower Head Swivel: Yes

Flow Rate: 1.75 gpm (6.6 L/min) @ 80 psi

ASME A112.18.1/CSA B125.1, CEC Listed, WaterSense by IAPMO, Massachusetts Accepted, LISTED ID:
SHRSB820RG*

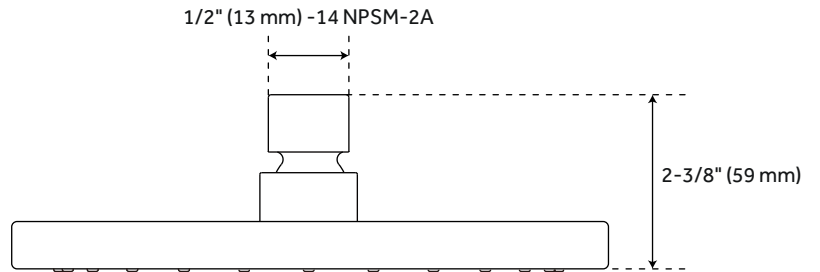
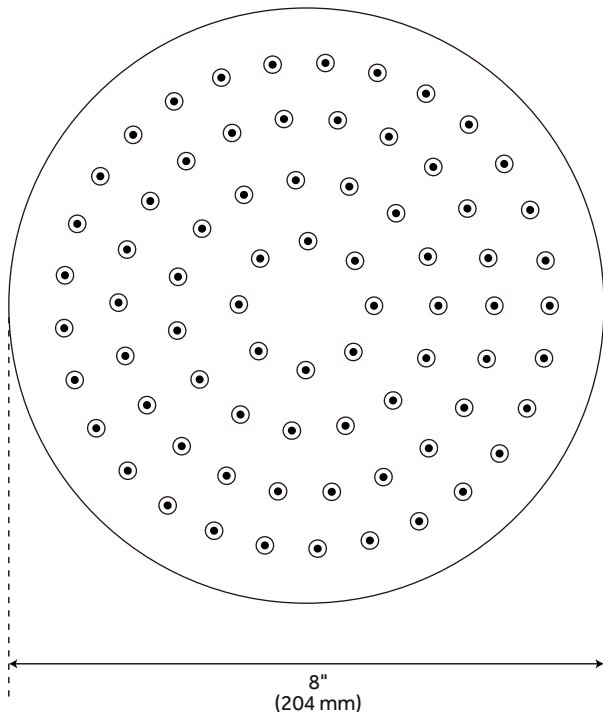


ADDITIONAL FEATURES

- Single function shower head (full spray).
- Easy clean rubber nozzles.
- Brass ball joint.

REVISED 11/22/2024

8" MODERN ROUND RAINFALL SHOWER HEAD - 1.75 GPM



All dimensions and specifications are nominal and may vary. Use actual products for accuracy in critical situations.

MODERN SHOWER ARM

SKU: 953989
Code: SHRSA124

FEATURES

Material: Metal



ASME A112.18.1/CSA B125.1, Massachusetts Accepted, LISTED ID: SHRSA124XX



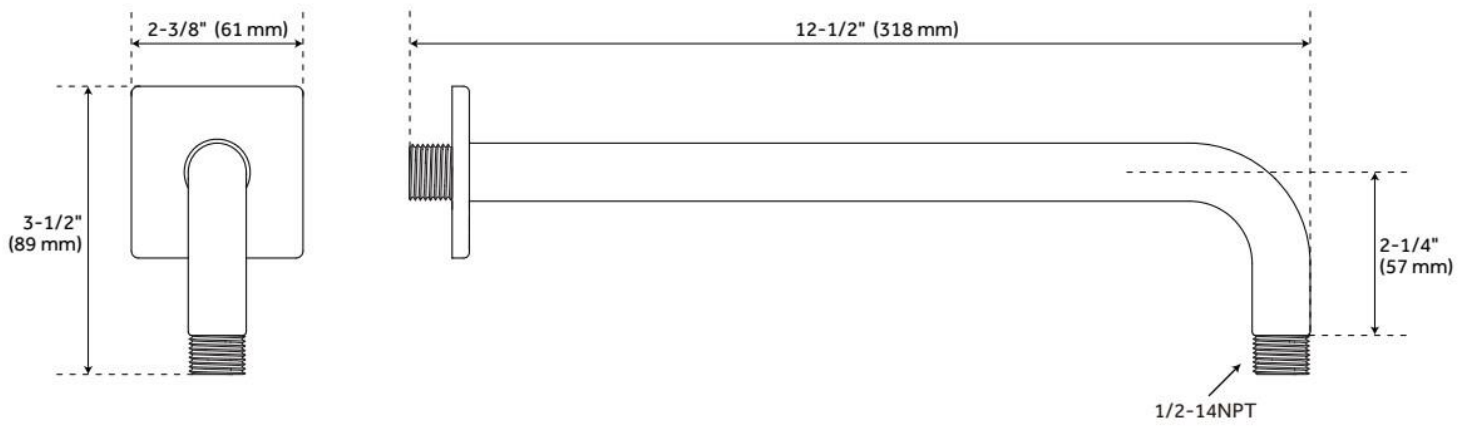
ADDITIONAL FEATURES

- Metal construction for ultimate strength and durability.
- Escutcheon included.

REVISED 5/24/2024

MODERN SHOWER ARM

SKU: 953989
Code: SHRSA124



REVISED 5/24/2024

SEFINA TUB SPOUT WITH DIVERTER

SKU: 953988
Code: SHTS75



FEATURES

Material: Metal

ASME A112.18.1/CSA B125.1, CEC Listed, Massachusetts Accepted, LISTED ID: SHTS75**



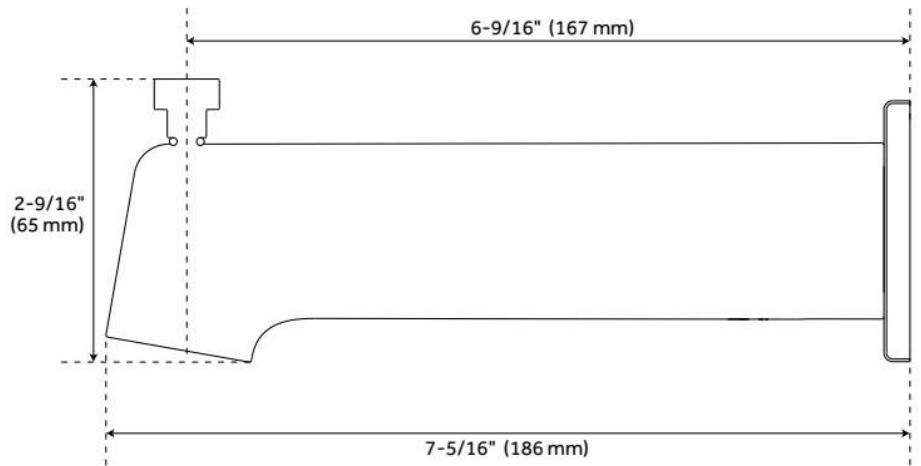
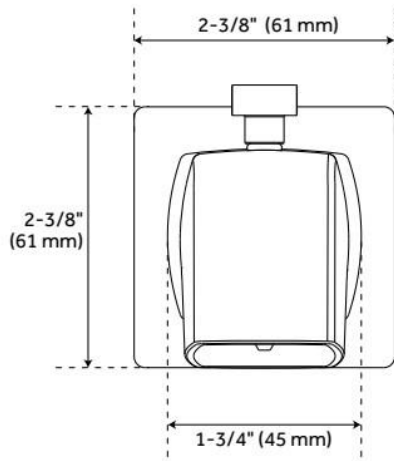
ADDITIONAL FEATURES

- Metal construction for ultimate strength and durability.
- 1/2" slip fit connection.

REVISED 6/10/2024

SEFINA TUB SPOUT WITH DIVERTER

SKU: 953988
Code: SHTS75



REVISED 6/10/2024

PRESSURE BALANCE TUB & SHOWER ROUGH-IN VALVE

SKU: 446520
Code: SH4001



FEATURES

Material: Brass
Flow Rate: 6.34 gpm (24.0 L/min) @ 80 psi
Connection Type: 1/2" MIP and SWT
Cartridge Type: Ceramic Disc

IAPMO, ASME A112.18.1/CSA B125.1, ASSE 1016 Type P, Massachusetts Accepted, LISTED ID: SH4001



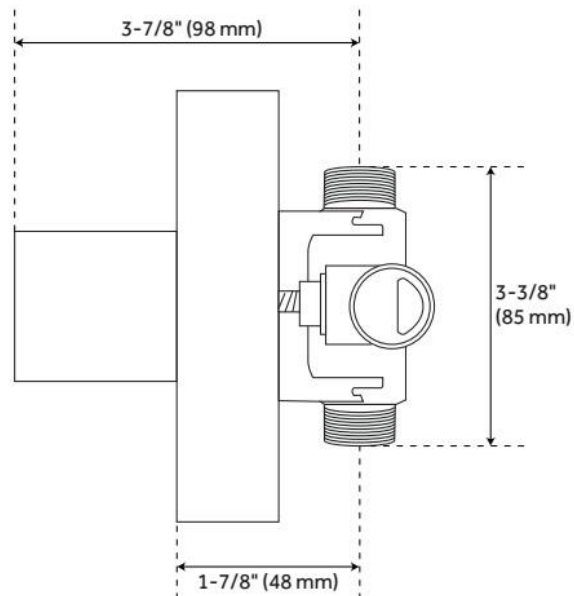
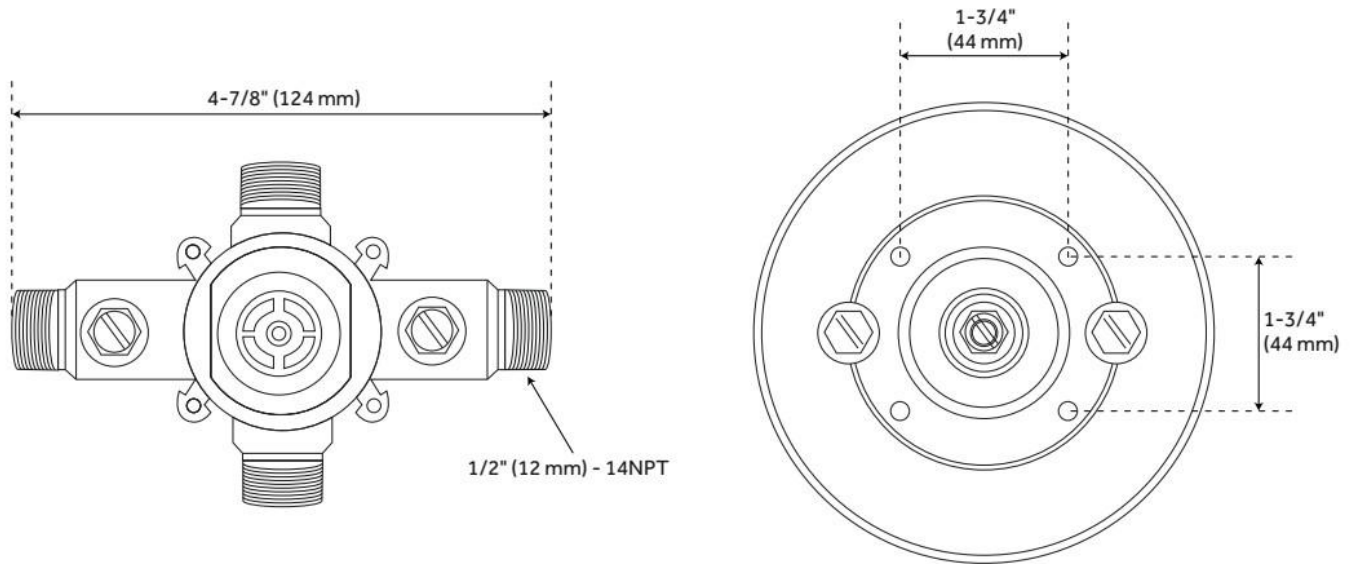
ADDITIONAL FEATURES

- Pressure balance valve with integral stops.
- One-piece ceramic cartridge design for ease of maintenance.
- Back-to-back capability
- Adjustable temperature limit stop.
- Quick remove plaster guard and easy mounting brackets.

REVISED 11/27/2024

PRESSURE BALANCE TUB & SHOWER ROUGH-IN VALVE

SKU: 446520
Code: SH4001



REVISED 11/27/2024