

# SEFINA PRESSURE BALANCE SHOWER SYSTEM WITH HAND SHOWER

SKU: 954020

Code: SHSF8010, SH4001, SHRSA124, SHRSB820RG, SHHS4170G, SHH1010, SHWES2050, SHSF9005, SH6103



## FEATURES

Material: Metal

Shower Head Swivel: Yes

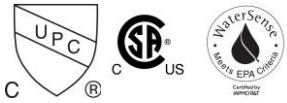
Hand Shower Flow Rate: 1.8 gpm (6.8 L/min) @ 80 psi

Diverter Outlets: 3

Cartridge Type: Ceramic Disc

Optional Accessory: Extension kit: SH6101EXT\*.

ASME A112.18.1/CSA B125.1, ASME A112.18.2/CSA B125.2, ASSE 1016 Type P, CEC Listed, WaterSense by IAPMO, Massachusetts Accepted, LISTED ID: SH4001, SH6103, SHRSB820RG\*, SHH1010\*, SHWES2050xy, SHSF8010\*\*, SHSF9005\*\*, SHRSA124XX, SHHS4170XX



## ADDITIONAL FEATURES

- Metal construction for ultimate strength and durability.
- Single function 8" Rainfall shower head.
- 60" - 72" stretchable metal shower hose.
- Included Rough-in valves:
  - Pressure balance valve features a one-piece cartridge design for ease of maintenance, back-to-back capability, a ceramic disc cartridge, cast bronze valve body, adjustable temperature limit stop, a quick remove plaster guard, easy mounting brackets and integral stops.
  - Diverter Valve features brass valve body and ceramic disc cartridge.
    - Six total settings allow for shared water flow between outlets, giving you the ability to use two functions at once.
    - Not intended as a shut off valve.
    - SH6150: CALGreen cartridge (no shared functions)
    - Optional extension kit: SH6101EXT\*.

REVISED 6/28/2024

# SEFINA PRESSURE BALANCE SHOWER TRIM

SKU: 953986

Code: SHSF8010, SH4001



## FEATURES

Material: Metal

ASME A112.18.1/CSA B125.1, ASSE 1016 Type P, Massachusetts Accepted, LISTED ID: SH4001, SHSF8010\*\*



## ADDITIONAL FEATURES

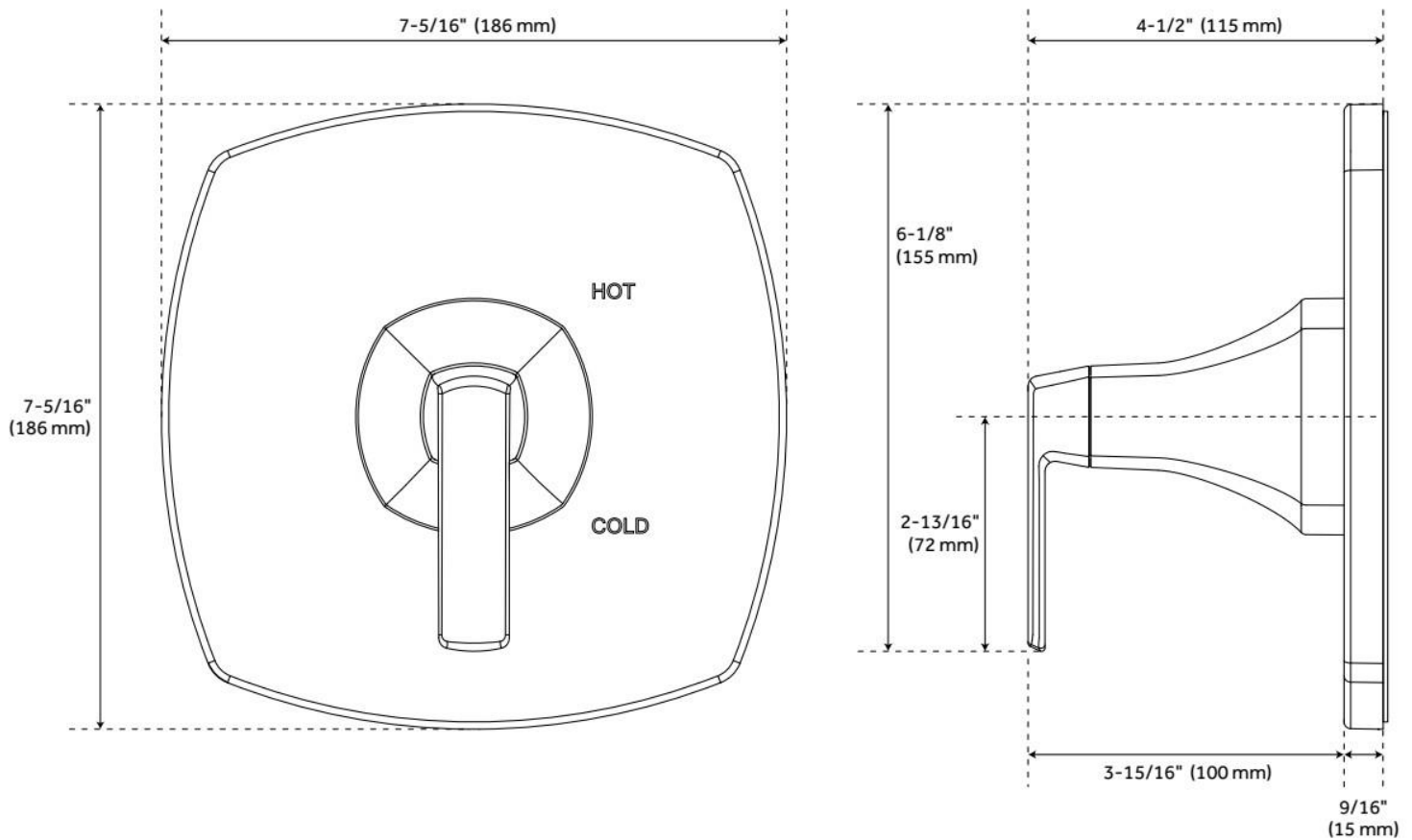
- Metal construction for ultimate strength and durability.
- May purchase with or without valve. Value required for use. (SH4001)
- When purchased with Rough-in Valve:
  - Pressure balance valve with integral stops.
  - One-piece cartridge design for ease of maintenance.
  - Back-to-back capability.
  - Ceramic disc valve cartridge.
  - Cast bronze valve body.
  - Adjustable temperature limit stop.
  - Quick remove plaster guard.
  - Easy mounting brackets.

REVISED 6/27/2024

# SEFINA PRESSURE BALANCE SHOWER TRIM

SKU: 953986

Code: SHSF8010, SH4001



REVISED 6/27/2024

# PRESSURE BALANCE TUB & SHOWER ROUGH-IN VALVE

SKU: 446520  
Code: SH4001



## FEATURES

Material: Bronze  
Flow Rate: 6.34 gpm (24.0 L/min) @ 80 psi  
Connection Type: 1/2" MIP and SWT  
Cartridge Type: Ceramic Disc

IAPMO, ASME A112.18.1/CSA B125.1, ASSE 1016 Type P, Massachusetts Accepted, LISTED ID: SH4001



## ADDITIONAL FEATURES

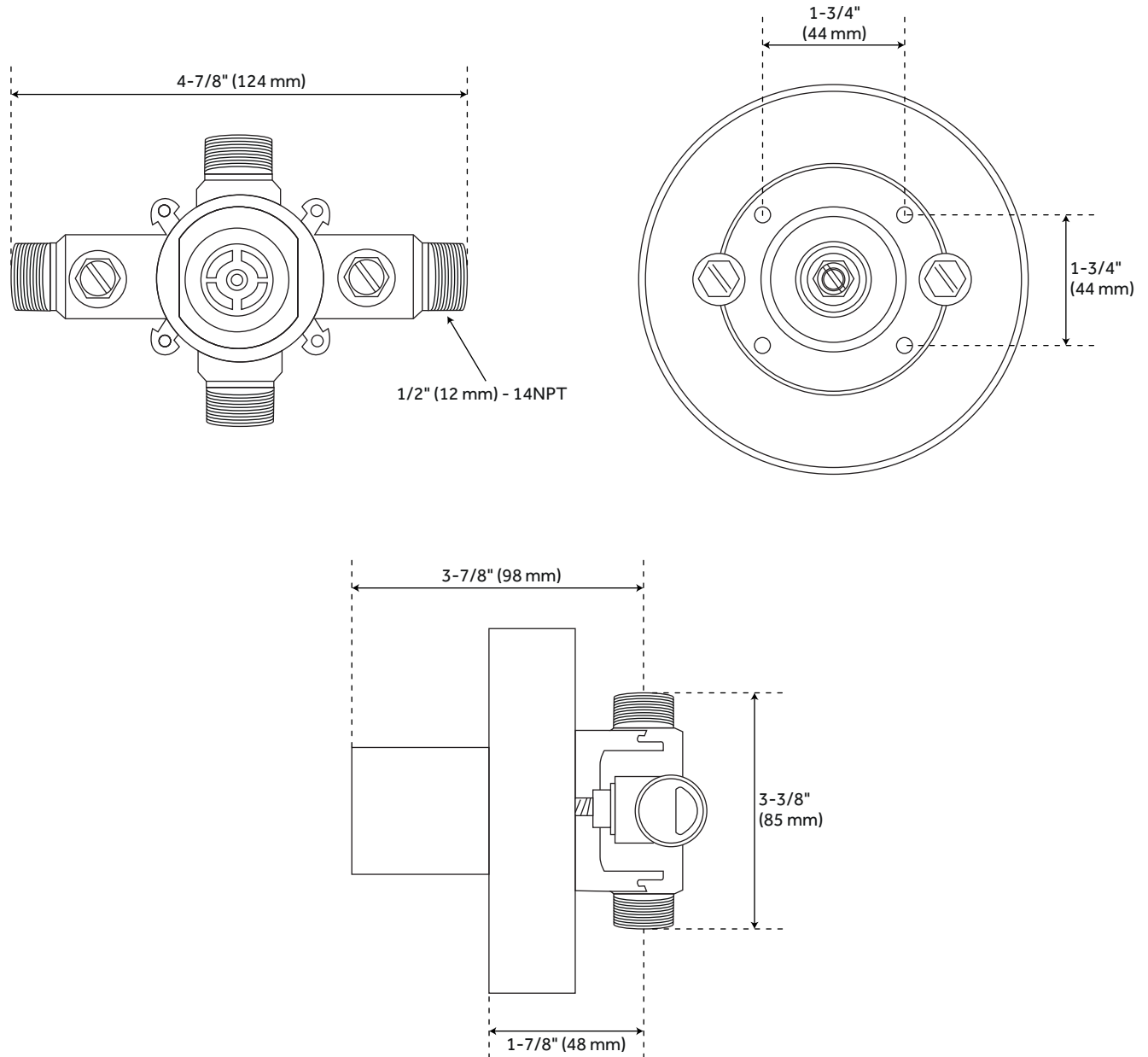
- Compatible with Beasley, Boca Raton, Carraway, Edenton, Greyfield, Hibiscus, Key West, Lentz, Lexia, Pendleton, Pinecrest, Provincetown, Rigi, St. Martin and Vilamonte Pressure Balance Trims.
- Pressure balance valve with integral stops.
- One-piece cartridge design for ease of maintenance.
- Back-to-back capability.
- Ceramic disc valve cartridge.
- Cast bronze valve body.
- Adjustable temperature limit stop.
- Quick remove plaster guard.
- Easy mounting brackets.
- Important Note: Pressure Balancing Valves, regardless of brand, are generally not recommended for use with tankless (on-demand) water heaters. Pressure Balancing Valves adjust to the lowest incoming water pressure. Because outgoing hot-water pressure of tankless water heaters can sometimes be significantly lower than household cold-water pressure, the result can be unsatisfactory water pressure in the shower.

REVISED 5/24/2024

# PRESSURE BALANCE TUB AND SHOWER ROUGH-IN VALVE

SKU: 446520

SH4001



All dimensions and specifications are nominal and may vary. Use actual products for accuracy in critical situations.

# SEFINA IN-WALL SHOWER DIVERTER TRIM

SKU: 953987

Code: SHSF9005, SH6103



## FEATURES

Material: Metal

Diverter Outlets: 3

ASME A112.18.1/CSA B125.1, ASME A112.18.2/CSA B125.2, Massachusetts Accepted, LISTED ID: SH6103, SHSF9005\*\*



## ADDITIONAL FEATURES

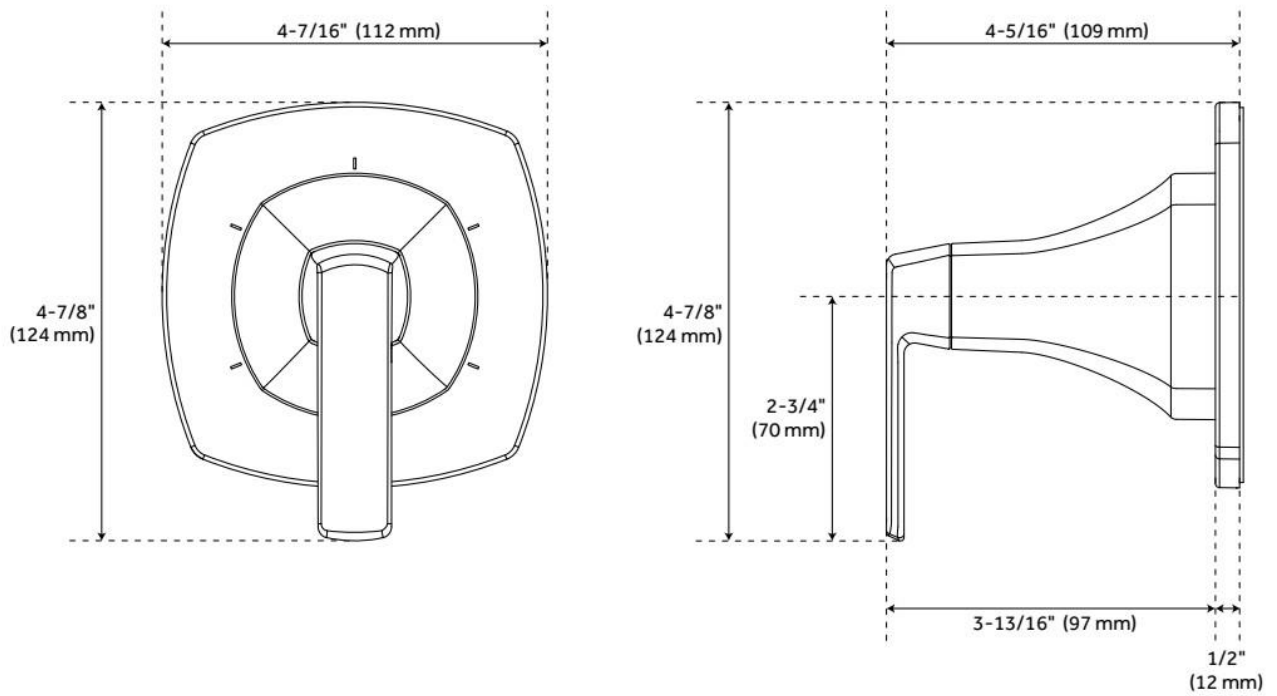
- Metal construction for ultimate strength and durability.
- May purchase with or without valve. Value required for use.(SH6103)
- When purchased with Rough-in Valve:
  - Brass valve body.
  - Ceramic disc cartridge.
  - Not intended as a shut off valve.
  - SH6150: CALGreen cartridge (no shared functions)
  - Optional extension kit: SH6101EXT\*.

REVISED 6/27/2024

# SEFINA IN-WALL SHOWER DIVERTER TRIM

SKU: 953987

Code: SHSF9005, SH6103



REVISED 6/27/2024

# 3-WAY IN-WALL DIVERTER ROUGH-IN VALVE

SKU: 953056  
Code: SH6103, SH6101

## FEATURES

Material: Brass



ASME A112.18.1/CSA B125.1, ASME A112.18.2/CSA B125.2, Massachusetts Accepted, LISTED ID: SH6103, SH6101



## ADDITIONAL FEATURES

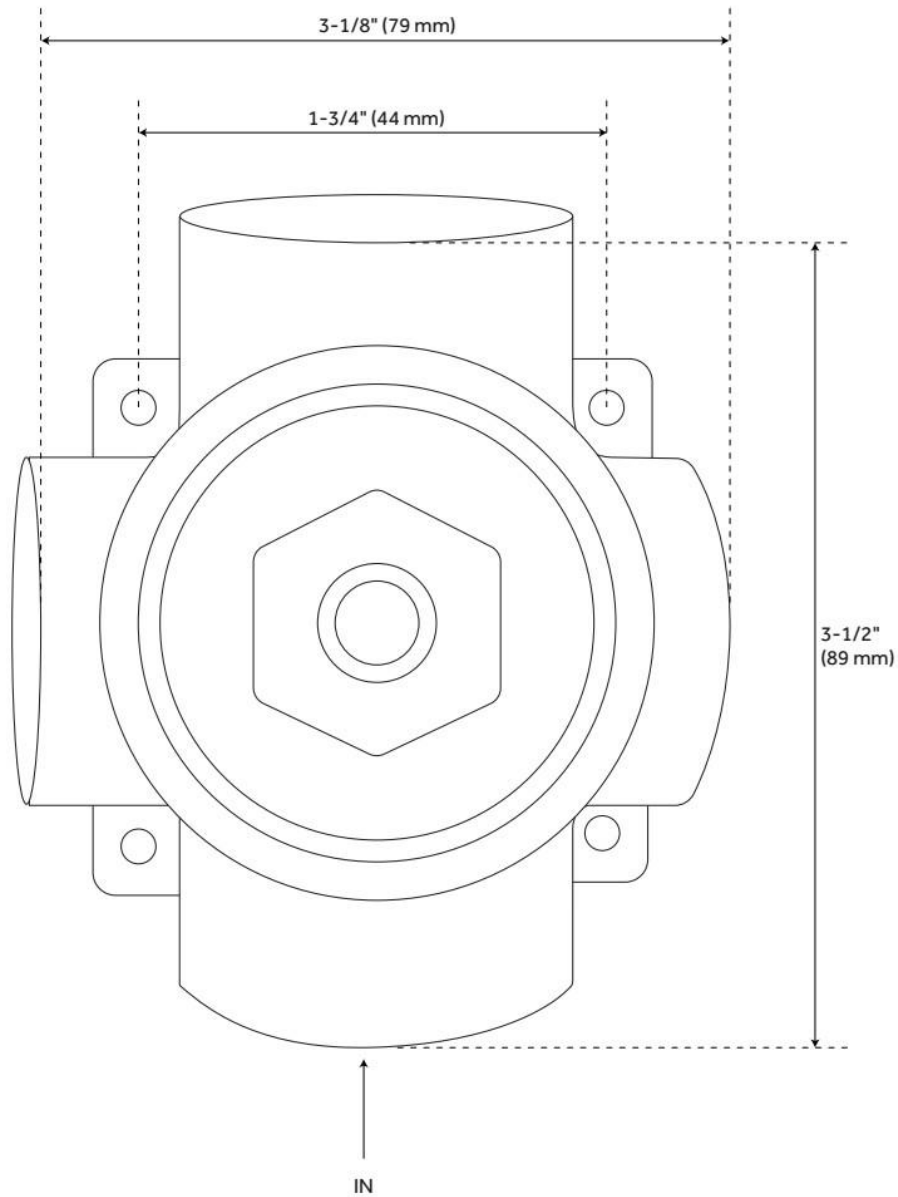
- Six total settings allow for shared water flow between outlets, giving you the ability to use two functions at once.
- Ceramic cartridge.
- Available Single-Function Diverter Valve Cartridge restricts water flow to one outlet at a time.
- Not intended as a shut off valve.
- For installations only requiring 2 outlets, the 3rd outlet may be looped into one of the existing pipes.
- Compatible with Beasley, Berwyn, Boca Raton, Drea, Edenton, Elita, Greyfield, Gunther, Hibiscus, Key West, Lentz, Lexia, Pendleton, Pinecrest, Provincetown, Rigi, Sefina, Vassor and Vilamonte Diverter Trims.

REVISED 5/29/2024



# 3-WAY IN-WALL DIVERTER ROUGH-IN VALVE

SKU: 953056  
Code: SH6103, SH6101



REVISED 5/29/2024

# 8" MODERN ROUND RAINFALL SHOWER HEAD - 1.8 GPM - CHROME

SKU: 948948-18

Code: SHRSB820RG, SH484203, SH485499, SHRSB820RGPB



## FEATURES

Material: ABS

Shower Head Swivel: Yes

ASME A112.18.1/CSA B125.1, CEC Listed, WaterSense by IAPMO, Massachusetts Accepted, LISTED ID: SHRSB820RG\*

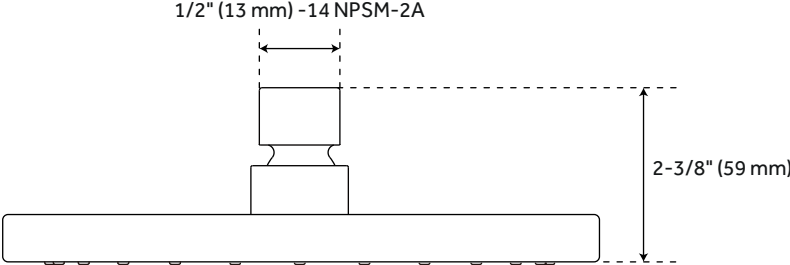
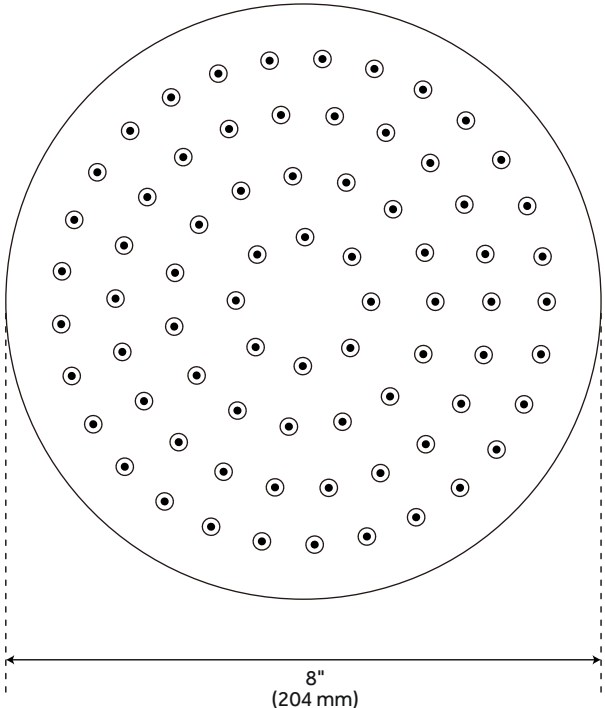


## ADDITIONAL FEATURES

- Single function shower head (full spray).
- Easy clean rubber nozzles.
- Brass ball joint.

REVISED 5/24/2024

# MODERN ROUND RAINFALL SHOWER HEAD - 1.8 GPM



All dimensions and specifications are nominal and may vary. Use actual products for accuracy in critical situations.

# MODERN SHOWER ARM

SKU: 953989  
Code: SHRSA124

## FEATURES

Material: Metal



ASME A112.18.1/CSA B125.1, Massachusetts Accepted, LISTED ID: SHRSA124XX



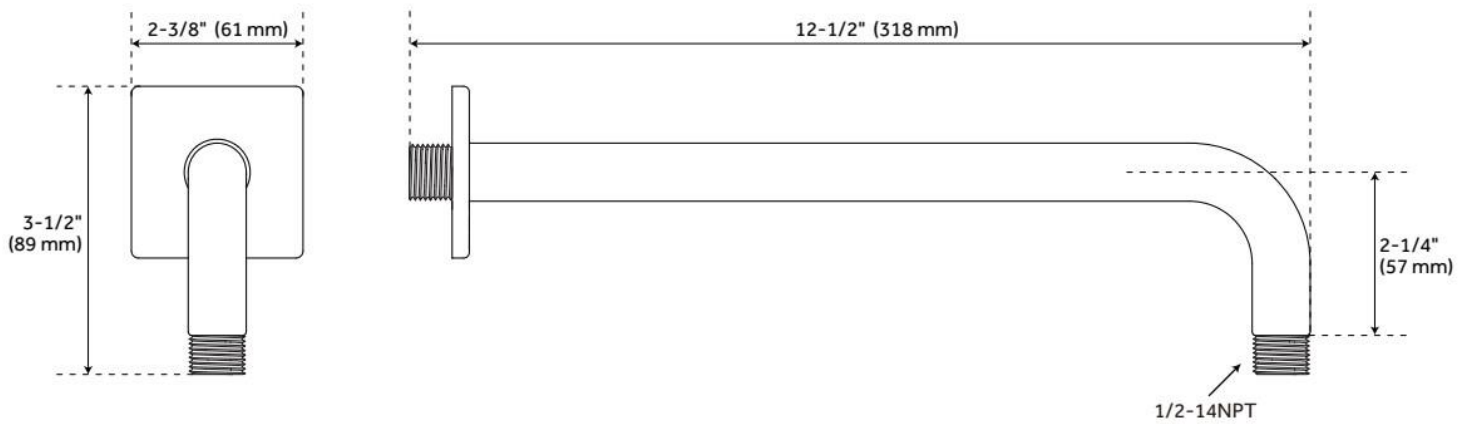
## ADDITIONAL FEATURES

- Metal construction for ultimate strength and durability.
- Escutcheon included.

REVISED 5/24/2024

# MODERN SHOWER ARM

SKU: 953989  
Code: SHRSA124



REVISED 5/24/2024

# 60" STRETCHABLE METAL HAND SHOWER HOSE

SKU: 948938

Code: SHH1010, SH484205, SH485500, SHH1010PB

## FEATURES

Connection Type: 1/2" IPS



ASME A112.18.1/CSA B125.1, Massachusetts Accepted, LISTED ID: SHH1010\*



## ADDITIONAL FEATURES

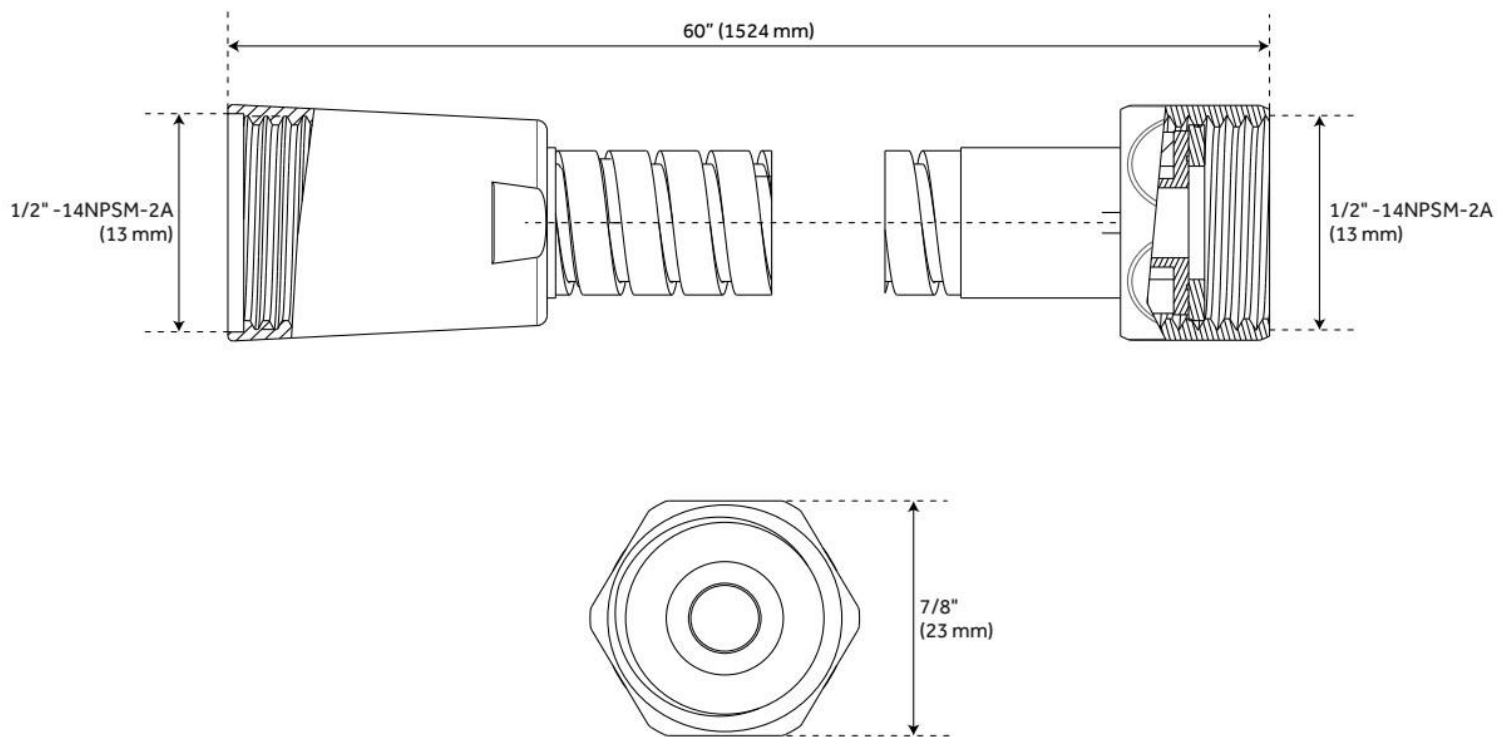
- 60" - 72" stretchable metal shower hose.
- Double spiral construction.
- Metal conical nut.

REVISED 5/24/2024

# 60" STRETCHABLE METAL HAND SHOWER HOSE

SKU: 948938

Code: SHH1010, SH484205, SH485500, SHH1010PB



REVISED 5/24/2024

# MODERN HAND SHOWER

SKU: 953994  
Code: SHHS4170G

## FEATURES

Material: ABS

Hand Shower Flow Rate: 1.8 gpm (6.8 L/min) @ 80 psi



ASME A112.18.1/CSA B125.1, CEC Listed, WaterSense by IAPMO, Massachusetts Accepted, LISTED ID: SHHS4170XX



## ADDITIONAL FEATURES

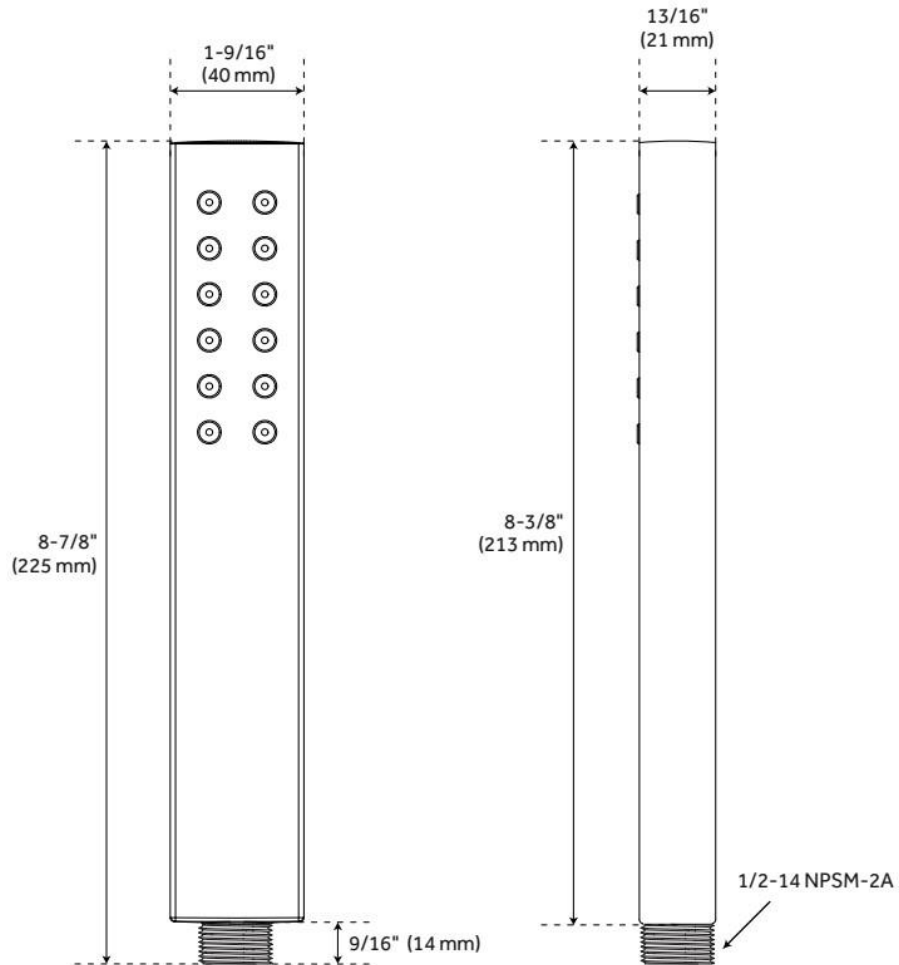
- Single function hand shower (full spray).

REVISED 5/24/2024



# MODERN HAND SHOWER

SKU: 953994  
Code: SHHS4170G



REVISED 5/24/2024

# SWIVEL WATER SUPPLY ELBOW AND BRACKET FOR HAND SHOWER

SKU: 948936

Code: SHWES2050, SH485446, SH485535

## FEATURES

Material: Metal, ABS

Connection Type: 1/2" NPT



ASME A112.18.1/CSA B125.1, LISTED ID: SHWES2050xy



## ADDITIONAL FEATURES

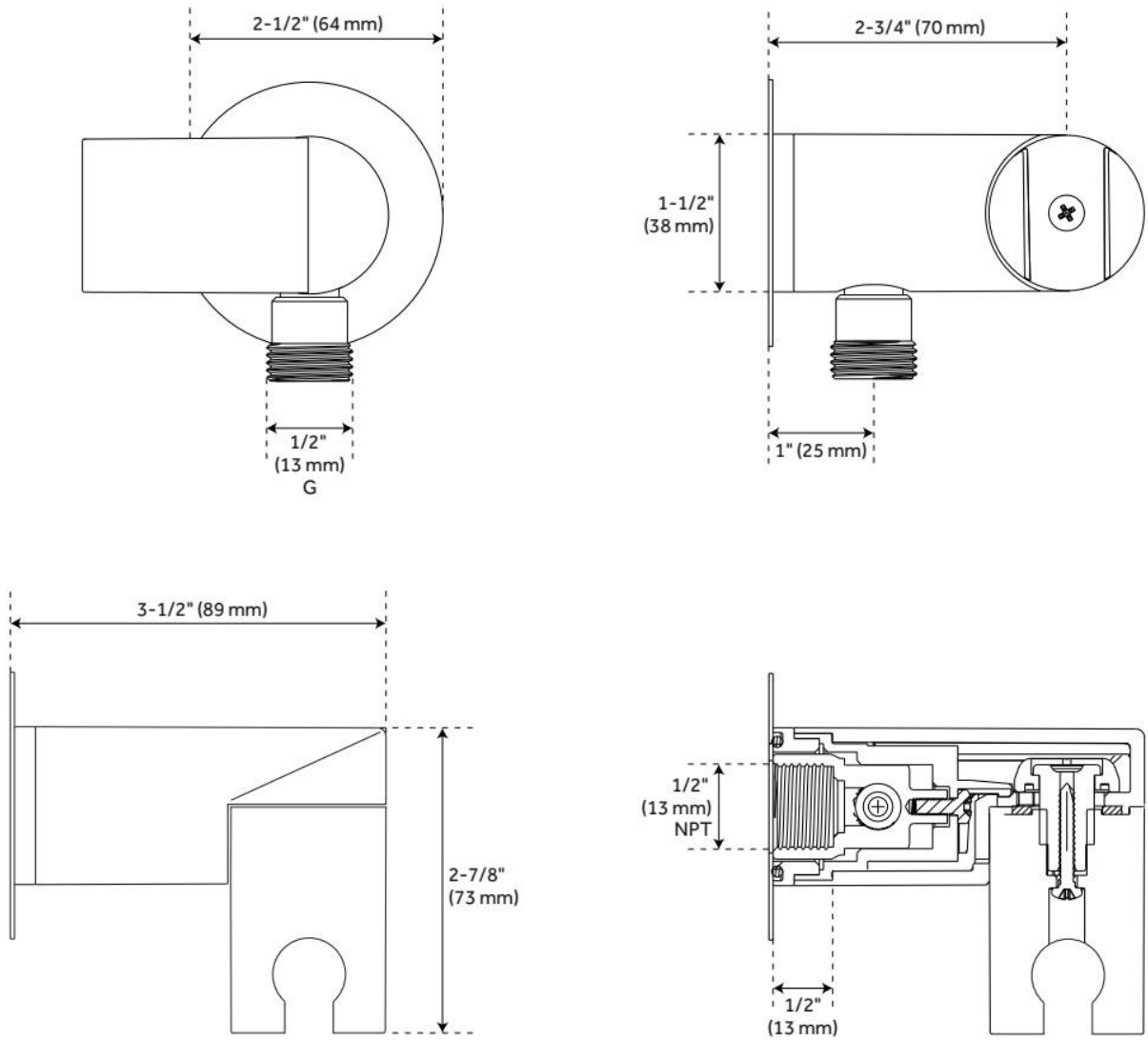
- 1/2" Female wall connection.
- 1/2" Male hose connection.
- Brass inlet/outlet, ABS body.

REVISED 5/24/2024

# SWIVEL WATER SUPPLY ELBOW AND BRACKET FOR HAND SHOWER

SKU: 948936

Code: SHWES2050, SH485446, SH485535



REVISED 5/24/2024