

ELITA FREESTANDING TUB FAUCET WITH HAND SHOWER - CROSS HANDLE

SKU: 955083-C

Code: SHEL441007, SHEL441009, SHFSR2000, SHFSR2000WS



FEATURES

Material: Metal construction for strength and durability

Faucet Centers: Single-Hole

Installation Type: Floor Mount

Hand Shower Flow Rate: 1.75 gpm (6.6 L/min) @ 80 psi

Spray Type: Full, Massage, Massage + Full

Swivel Spout: No

Required for Installation: Requires rough-in valve: SHFSR2000 or SHFSR2000WS, Handle: SHEL441008 or SHEL441009

ASME A112.18.1/CSA B125.1, NSF/ANSI/CAN 61-9:Q \leq 1, CEC Listed, CALGreen, WaterSense by IAPMO, Massachusetts Accepted, LISTED ID: SHEL441007*, SHEL441009*, SHFSR2000, SHFSR2000WS



ADDITIONAL FEATURES

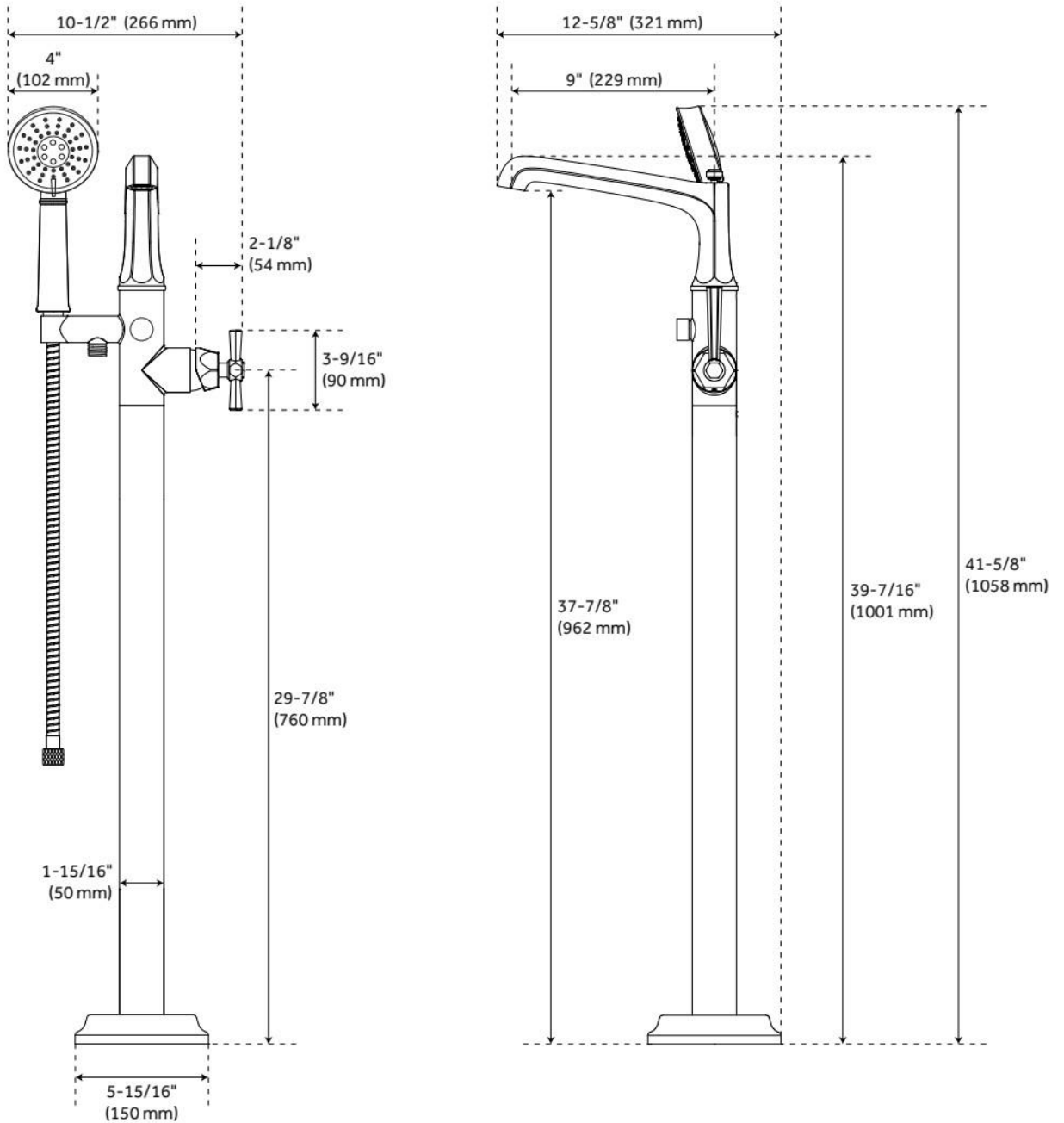
- 3 function hand shower (full spray, massage spray, full & massage spray).
- Integral diverter to hand shower.
- Hand shower includes factory installed backflow prevention check valve.
- Installation on an existing concrete slab will require cutting and concrete removal.
- When paired with SHFSR2000WS, flow rate is 11.4 gpm (43.2 L/min) @ 80 psi.
- When paired with SHFSR2000, flow rate is 11.6 gpm (43.9 L/min) @ 80 psi.

REVISED 5/12/2025

ELITA FREESTANDING TUB FAUCET WITH HAND SHOWER - CROSS HANDLE

SKU: 955083-C

Code: SHEL441007, SHEL441009, SHFSR2000, SHFSR2000WS



REVISED 5/12/2025