

# ELITA PRESSURE BALANCE SHOWER VALVE TRIM - CROSS HANDLE

SKU: 955084-C

Code: SHEL441001, SHEL441003, SH4001



## FEATURES

Material: Metal

Required for Installation: Requires rough-in valve (SH4001)

Optional Accessory: Extension kit available (ACF4001EXT)

ASME A112.18.1/CSA B125.1, ASSE 1016 Type P, Massachusetts Accepted, LISTED ID: SHEL441001\*, SHEL441003\*, SH4001



## ADDITIONAL FEATURES

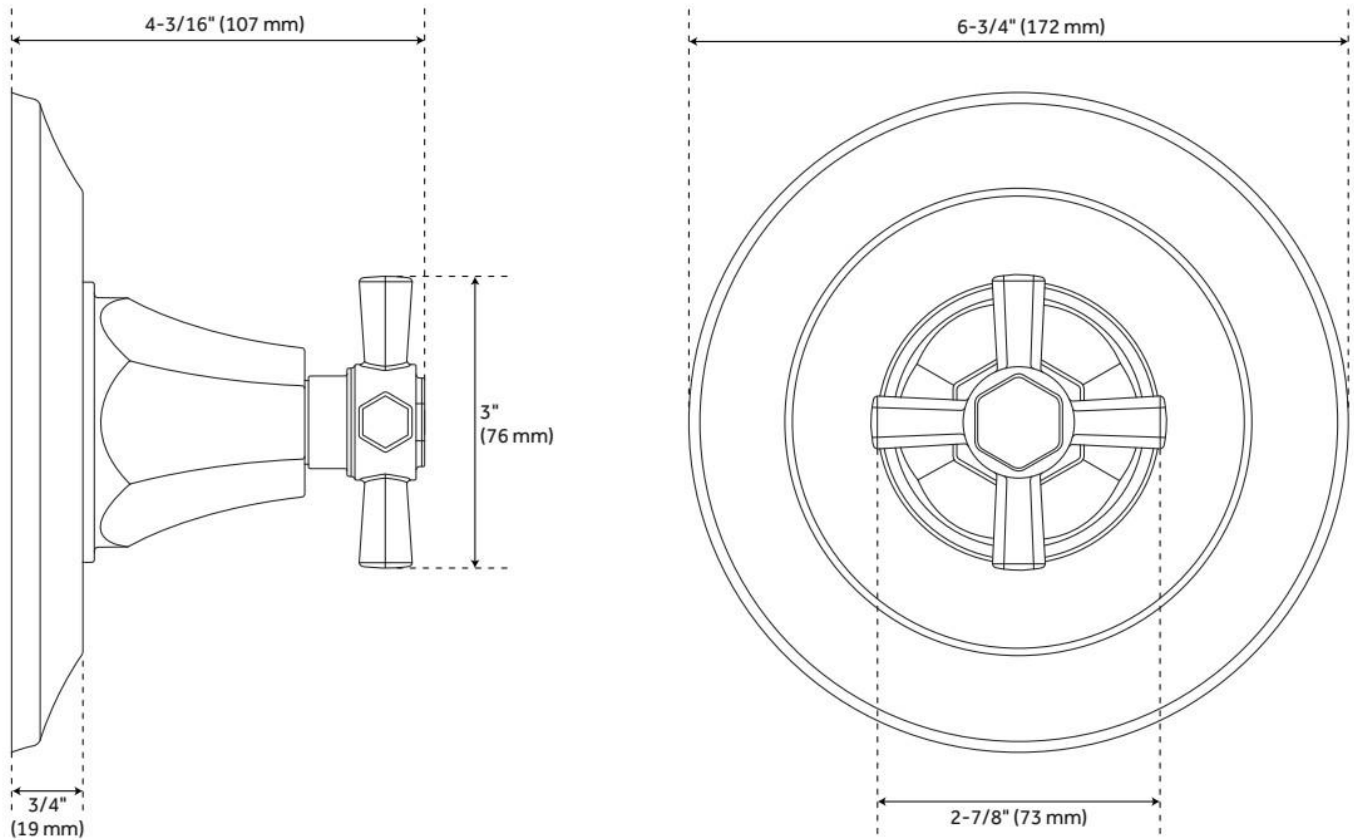
- Metal construction for ultimate strength and durability.
- When purchased with optional but required for install Rough-in Valve:
  - Pressure balance valve with integral stops.
  - One-piece cartridge design for ease of maintenance.
  - Back-to-back capability.
  - Ceramic disc valve cartridge.
  - Cast bronze valve body.
  - Adjustable temperature limit stop.
  - Quick remove plaster guard.
  - Easy mounting brackets.

REVISED 7/1/2024

# ELITA PRESSURE BALANCE SHOWER VALVE TRIM - CROSS HANDLE

SKU: 955084-C

Code: SHEL441001, SHEL441003, SH4001



REVISED 7/1/2024

# PRESSURE BALANCE TUB & SHOWER ROUGH-IN VALVE

SKU: 446520  
Code: SH4001



## FEATURES

Material: Bronze  
Flow Rate: 6.34 gpm (24.0 L/min) @ 80 psi  
Connection Type: 1/2" MIP and SWT  
Cartridge Type: Ceramic Disc

IAPMO, ASME A112.18.1/CSA B125.1, ASSE 1016 Type P, Massachusetts Accepted, LISTED ID: SH4001



## ADDITIONAL FEATURES

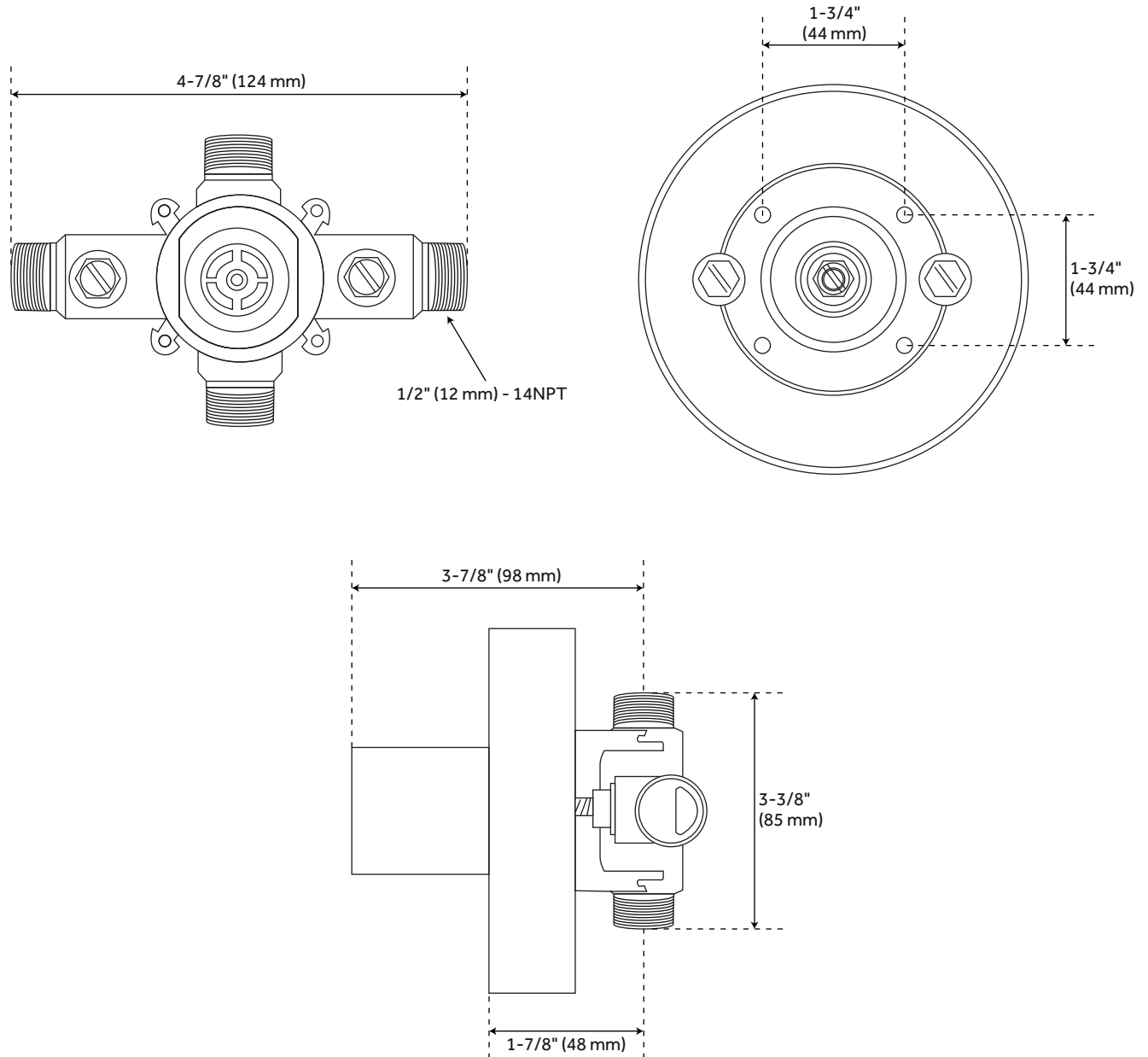
- Compatible with Beasley, Berwyn, Boca Raton, Drea, Edenton, Elita, Greyfield, Gunther, Hibiscus, Key West, Lentz, Lexia, Pendleton, Pinecrest, Provincetown, Rigi, Sefina, Vassor and Vilamonte Pressure Balance Trims.
- Pressure balance valve with integral stops.
- One-piece ceramic cartridge design for ease of maintenance.
- Back-to-back capability
- Cast bronze valve body.
- Adjustable temperature limit stop.
- Quick remove plaster guard and easy mounting brackets.

REVISED 8/14/2024

# PRESSURE BALANCE TUB AND SHOWER ROUGH-IN VALVE

SKU: 446520

SH4001



All dimensions and specifications are nominal and may vary. Use actual products for accuracy in critical situations.