

ELITA IN-WALL SHOWER DIVERTER TRIM - LEVER HANDLE

SKU: 955085-L

Code: SHEL441004, SHEL441005, SH6103



FEATURES

Material: Metal

Required for Installation: Requires rough-in valve (SH6103 or SH6101), Handle: SHEL441005 or SHEL441006

Optional Accessory: Extension kit available (SH6101EXT).

CALGreen non-shared position cartridge available (SH6150).

ASME A112.18.1/CSA B125.1, ASME A112.18.2/CSA B125.2, Massachusetts Accepted, LISTED ID: SHEL441004*, SHEL441005*, SH6103



ADDITIONAL FEATURES

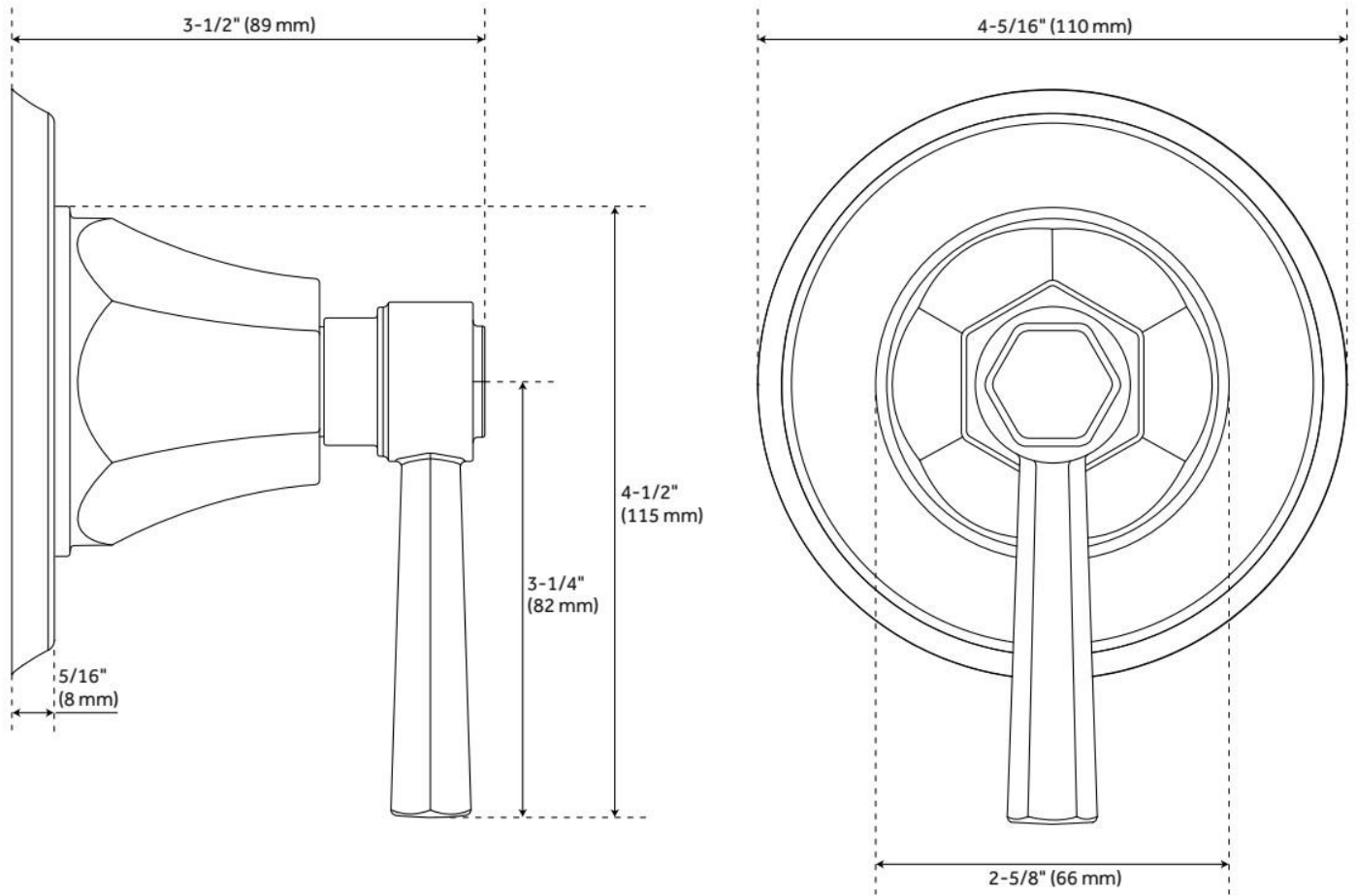
- Metal construction for ultimate strength and durability.
- May purchase with or without valve. Value required for use.
- When purchased with Rough-in Valve:
 - Brass valve body.
 - Ceramic disc cartridge.
 - Not intended as a shut off valve.

REVISED 10/15/2024

ELITA IN-WALL SHOWER DIVERTER TRIM - LEVER HANDLE

SKU: 955085-L

Code: SHEL441004, SHEL441005, SH6103



REVISED 10/15/2024

3-WAY IN-WALL DIVERTER ROUGH-IN VALVE - 3/4"

SKU: 446519
Code: SH6103

FEATURES

Material: Brass
Cartridge Type: Ceramic Disc



IAPMO, ASME A112.18.1/CSA B125.1, ASME A112.18.2/CSA B125.2, Massachusetts Accepted, LISTED ID: SH6103



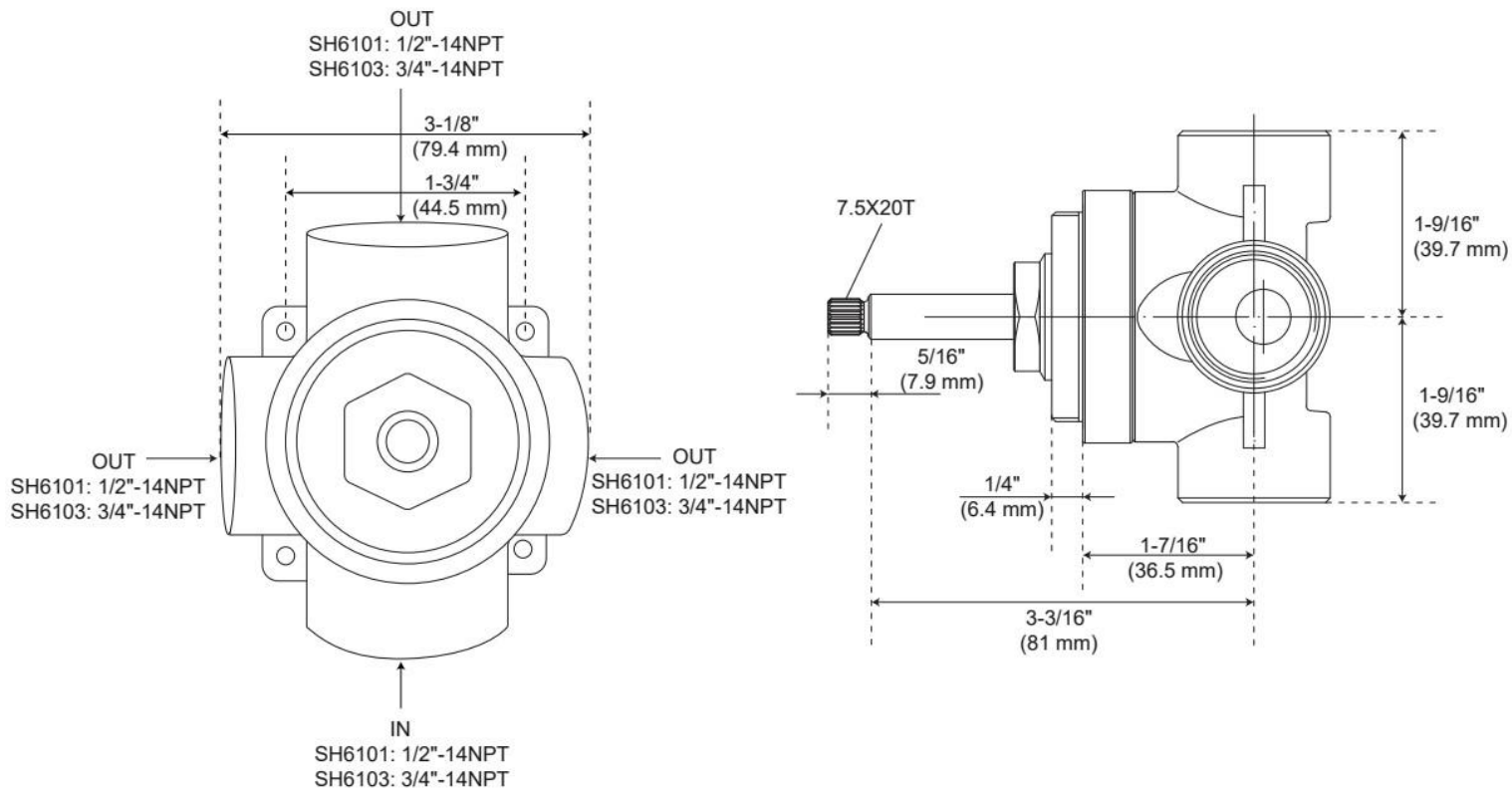
ADDITIONAL FEATURES

- Six total settings allow for shared water flow between outlets, giving you the ability to use two functions at once.
- Ceramic cartridge.
- Available Single-Function Diverter Valve Cartridge restricts water flow to one outlet at a time.
- Not intended as a shut off valve.
- For installations only requiring 2 outlets, the 3rd outlet may be looped into one of the existing pipes.
- Compatible with Beasley, Berwyn, Boca Raton, Drea, Edenton, Elita, Greyfield, Gunther, Hibiscus, Key West, Lentz, Lexia, Pendleton, Pinecrest, Provincetown, Rigi, Sefina, Vassor and Vilamonte Diverter Trims.

REVISED 10/14/2024

3-WAY IN-WALL DIVERTER ROUGH-IN VALVE - 3/4"

SKU: 446519
Code: SH6103



REVISED 10/14/2024