

ELITA PRESSURE BALANCE SHOWER SYSTEM - LEVER HANDLE

SKU: 955090-L

Code: SHEL441001, SH4001, SHRSA123, SHRSB820RG, SHEL441002



FEATURES

Material: Metal

Shower Head Flow Rate: 1.8 gpm (6.8 L/min) @ 80 psi

Shower Head Swivel: Yes

Cartridge Type: Ceramic Disc

ASME A112.18.1/CSA B125.1, ASSE 1016 Type P, CEC Listed, WaterSense by IAPMO, Massachusetts Accepted, LISTED ID: SH4001, SHRSB820RG*, SHRSA123*, SHEL441001*, SHEL441002*



ADDITIONAL FEATURES

- Metal construction for ultimate strength and durability.
- Included Rough-in valve:
 - Pressure balance valve with integral stops.
 - One-piece cartridge design for ease of maintenance.
 - Back-to-back capability.
 - Ceramic disc valve cartridge.
 - Cast bronze valve body.
 - Adjustable temperature limit stop.
 - Quick remove plaster guard.
 - Easy mounting brackets.

REVISED 7/18/2024

ELITA PRESSURE BALANCE SHOWER VALVE TRIM - LEVER HANDLE

SKU: 955084-L

Code: SHEL441001, SHEL441002, SH4001



FEATURES

Material: Metal

Required for Installation: Requires rough-in valve (SH4001)

Optional Accessory: Extension kit available (ACF4001EXT)

ASME A112.18.1/CSA B125.1, ASSE 1016 Type P, Massachusetts Accepted, LISTED ID: SHEL441001*, SHEL441002*, SH4001



ADDITIONAL FEATURES

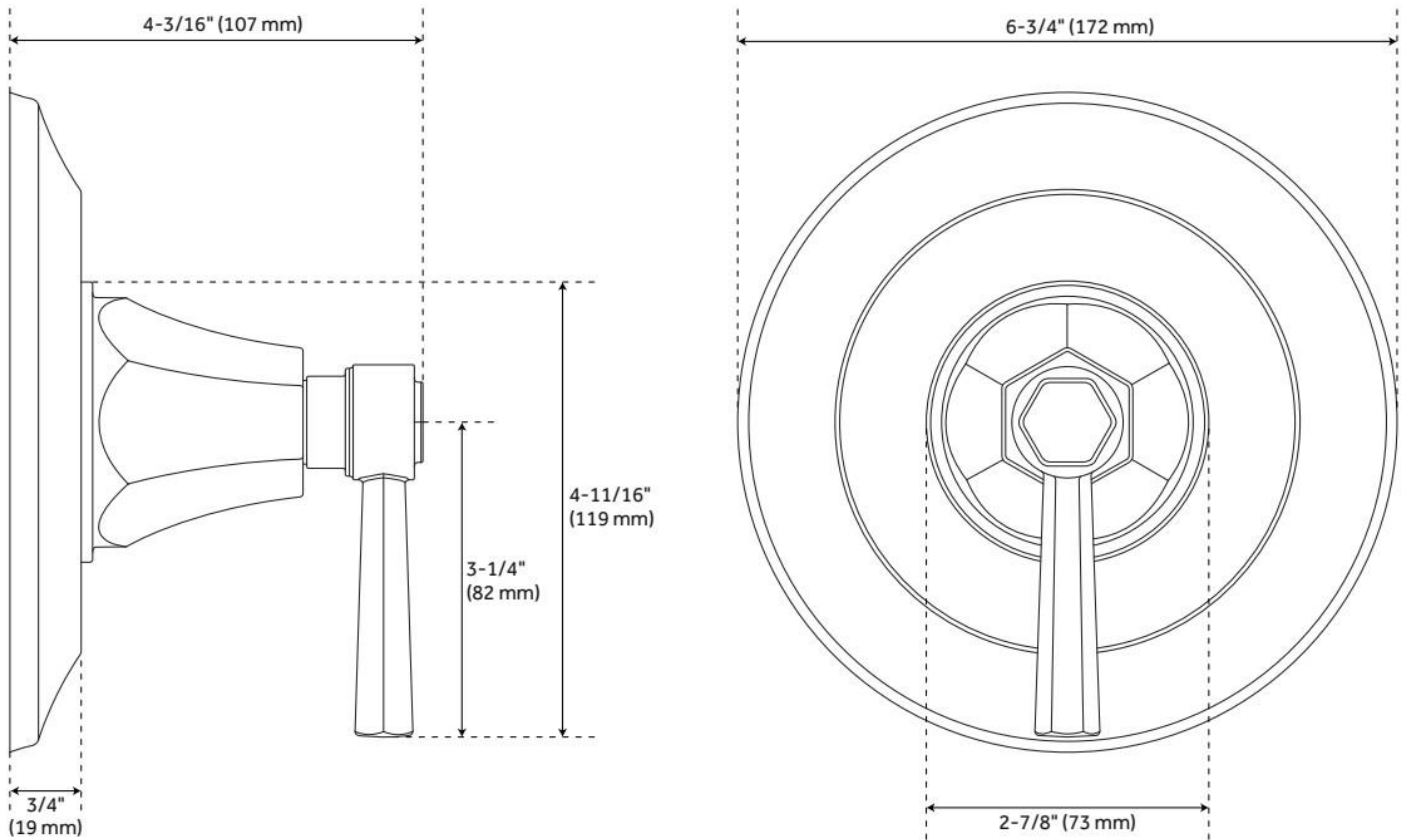
- Metal construction for ultimate strength and durability.
- When purchased with optional but required for install Rough-in Valve:
 - Pressure balance valve with integral stops.
 - One-piece cartridge design for ease of maintenance.
 - Back-to-back capability.
 - Ceramic disc valve cartridge.
 - Cast bronze valve body.
 - Adjustable temperature limit stop.
 - Quick remove plaster guard.
 - Easy mounting brackets.

REVISED 7/1/2024

ELITA PRESSURE BALANCE SHOWER VALVE TRIM - LEVER HANDLE

SKU: 955084-L

Code: SHEL441001, SHEL441002, SH4001



REVISED 7/1/2024

8" MODERN ROUND RAINFALL SHOWER HEAD - 1.75 GPM

SKU: 948948-18

Code: SHRSB820RG, SH484203, SH485499, SHRSB820RGPB



FEATURES

Material: ABS

Shower Head Swivel: Yes

Flow Rate: 1.75 gpm (6.6 L/min) @ 80 psi

ASME A112.18.1/CSA B125.1, CEC Listed, WaterSense by IAPMO, Massachusetts Accepted, LISTED ID:
SHRSB820RG*



ADDITIONAL FEATURES

- Single function shower head (full spray).
- Easy clean rubber nozzles.
- Brass ball joint.

REVISED 11/22/2024

8" MODERN ROUND RAINFALL SHOWER HEAD - 1.75 GPM



All dimensions and specifications are nominal and may vary. Use actual products for accuracy in critical situations.

WALL-MOUNT RAINFALL SHOWER ARM

SKU: 948955

Code: SHRSA123, SHRSA181, SH485514, SHRSA150

FEATURES

Material: Stainless Steel

Connection Type: 1/2" NPT



ASME A112.18.1/CSA B125.1, Massachusetts Accepted, LISTED ID: SHRSA123*, SHRSA181*, SHRSA150*



ADDITIONAL FEATURES

- All dimensions are ($\pm 1/2"$).
- Escutcheon included.

REVISED 6/10/2024

WALL-MOUNT RAINFALL SHOWER ARM

SKU: 948955

Code: SHRSA123, SHRSA181, SH485514, SHRSA150



REVISED 6/10/2024

PRESSURE BALANCE TUB & SHOWER ROUGH-IN VALVE

SKU: 446520
Code: SH4001



FEATURES

Material: Brass
Flow Rate: 6.34 gpm (24.0 L/min) @ 80 psi
Connection Type: 1/2" MIP and SWT
Cartridge Type: Ceramic Disc

IAPMO, ASME A112.18.1/CSA B125.1, ASSE 1016 Type P, Massachusetts Accepted, LISTED ID: SH4001



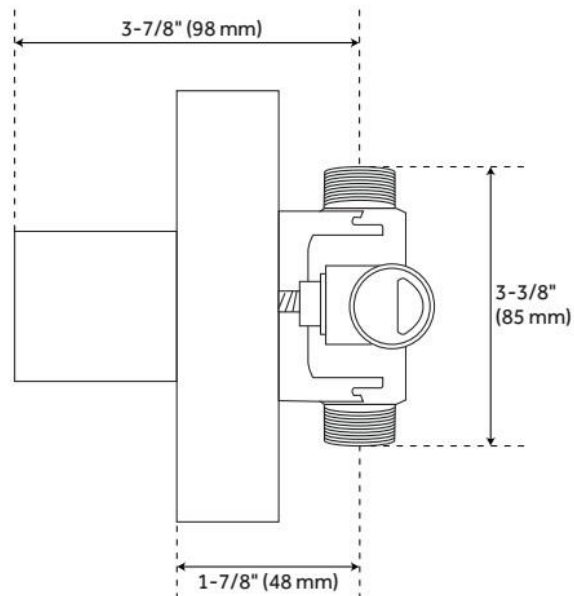
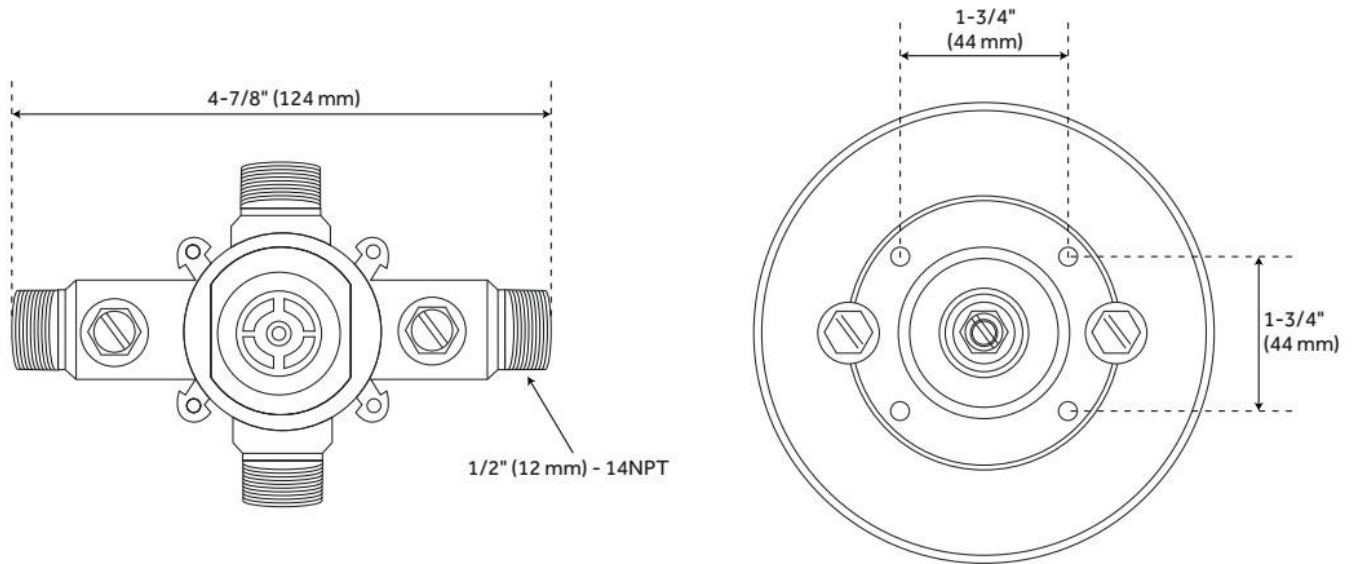
ADDITIONAL FEATURES

- Pressure balance valve with integral stops.
- One-piece ceramic cartridge design for ease of maintenance.
- Back-to-back capability
- Adjustable temperature limit stop.
- Quick remove plaster guard and easy mounting brackets.

REVISED 11/27/2024

PRESSURE BALANCE TUB & SHOWER ROUGH-IN VALVE

SKU: 446520
Code: SH4001



REVISED 11/27/2024