

# ELITA PRESSURE BALANCE TUB AND SHOWER SYSTEM - CROSS HANDLE

SKU: 955091-C

Code: SHEL441001, SH4001, SHRSA123, SHRSB820RG, SHEL441011, SHEL441003



## FEATURES

- Material: Metal
- Shower Head Flow Rate: 1.8 gpm (6.8 L/min) @ 80 psi
- Shower Head Swivel: Yes
- Cartridge Type: Ceramic Disc

ASME A112.18.1/CSA B125.1, ASSE 1016 Type P, NSF/ANSI/CAN 61-9:Q≤1, CEC Listed, WaterSense by IAPMO, Massachusetts Accepted, LISTED ID: SH4001, SHRSB820RG\*, SHRSA123\*, SHEL441001\*, SHEL441003\*, SHEL441011\*



## ADDITIONAL FEATURES

- Metal construction for ultimate strength and durability.
- Single function shower head.
- Tub spout diverter.
- Slip-fit tub spout.
- Included Rough-in valve:
  - Pressure balance valve with integral stops.
  - One-piece cartridge design for ease of maintenance.
  - Back-to-back capability.
  - Ceramic disc valve cartridge.
  - Cast bronze valve body.
  - Adjustable temperature limit stop.
  - Quick remove plaster guard.
  - Easy mounting brackets.

REVISED 7/18/2024

# ELITA PRESSURE BALANCE SHOWER VALVE TRIM - CROSS HANDLE

SKU: 955084-C

Code: SHEL441001, SHEL441003, SH4001



## FEATURES

Material: Metal

Required for Installation: Requires rough-in valve (SH4001)

Optional Accessory: Extension kit available (ACF4001EXT)

ASME A112.18.1/CSA B125.1, ASSE 1016 Type P, Massachusetts Accepted, LISTED ID: SHEL441001\*, SHEL441003\*, SH4001



## ADDITIONAL FEATURES

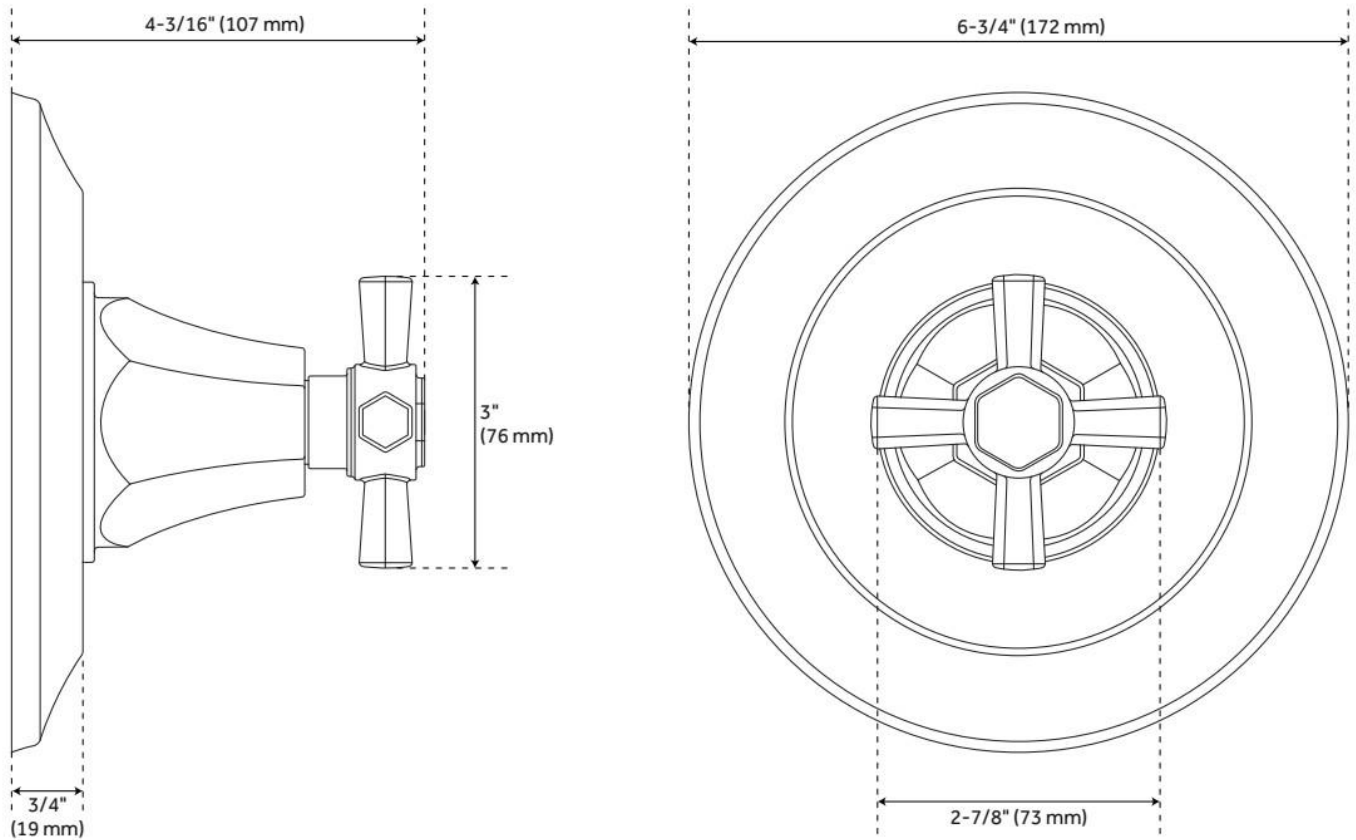
- Metal construction for ultimate strength and durability.
- When purchased with optional but required for install Rough-in Valve:
  - Pressure balance valve with integral stops.
  - One-piece cartridge design for ease of maintenance.
  - Back-to-back capability.
  - Ceramic disc valve cartridge.
  - Cast bronze valve body.
  - Adjustable temperature limit stop.
  - Quick remove plaster guard.
  - Easy mounting brackets.

REVISED 7/1/2024

# ELITA PRESSURE BALANCE SHOWER VALVE TRIM - CROSS HANDLE

SKU: 955084-C

Code: SHEL441001, SHEL441003, SH4001



REVISED 7/1/2024

# 8" MODERN ROUND RAINFALL SHOWER HEAD - 1.8 GPM - CHROME

SKU: 948948-18

Code: SHRSB820RG, SH484203, SH485499, SHRSB820RGPB



## FEATURES

Material: ABS

Shower Head Swivel: Yes

ASME A112.18.1/CSA B125.1, CEC Listed, WaterSense by IAPMO, Massachusetts Accepted, LISTED ID: SHRSB820RG\*

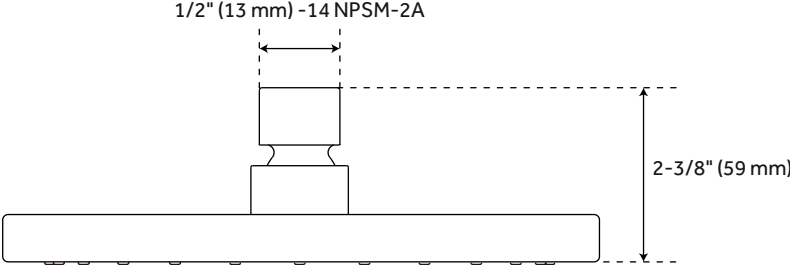
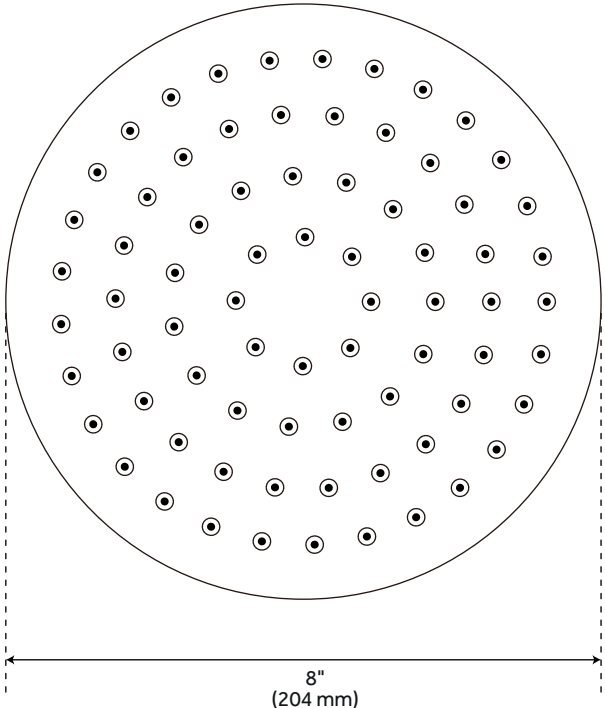


## ADDITIONAL FEATURES

- Single function shower head (full spray).
- Easy clean rubber nozzles.
- Brass ball joint.

REVISED 5/24/2024

# MODERN ROUND RAINFALL SHOWER HEAD - 1.8 GPM



All dimensions and specifications are nominal and may vary. Use actual products for accuracy in critical situations.

# WALL-MOUNT RAINFALL SHOWER ARM

SKU: 948955

Code: SHRSA123, SHRSA181, SH485514, SHRSA150

## FEATURES

Material: Stainless Steel

Connection Type: 1/2" NPT



ASME A112.18.1/CSA B125.1, Massachusetts Accepted, LISTED ID: SHRSA123\*, SHRSA181\*, SHRSA150\*



## ADDITIONAL FEATURES

- All dimensions are ( $\pm 1/2$ ").
- Escutcheon included.

REVISED 6/10/2024

# WALL-MOUNT RAINFALL SHOWER ARM

SKU: 948955

Code: SHRSA123, SHRSA181, SH485514, SHRSA150



REVISED 6/10/2024

# ELITA TUB SPOUT WITH DIVERTER

SKU: 955089

Code: SHEL441011



## FEATURES

Material: Metal

ASME A112.18.1/CSA B125.1, NSF/ANSI/CAN 61-9:Q $\leq$ 1, CEC Listed, Massachusetts Accepted, LISTED ID: SHEL441011\*



## ADDITIONAL FEATURES

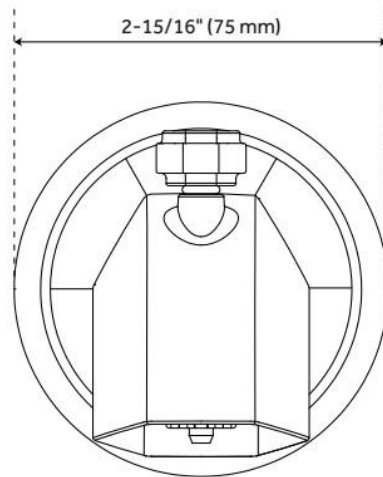
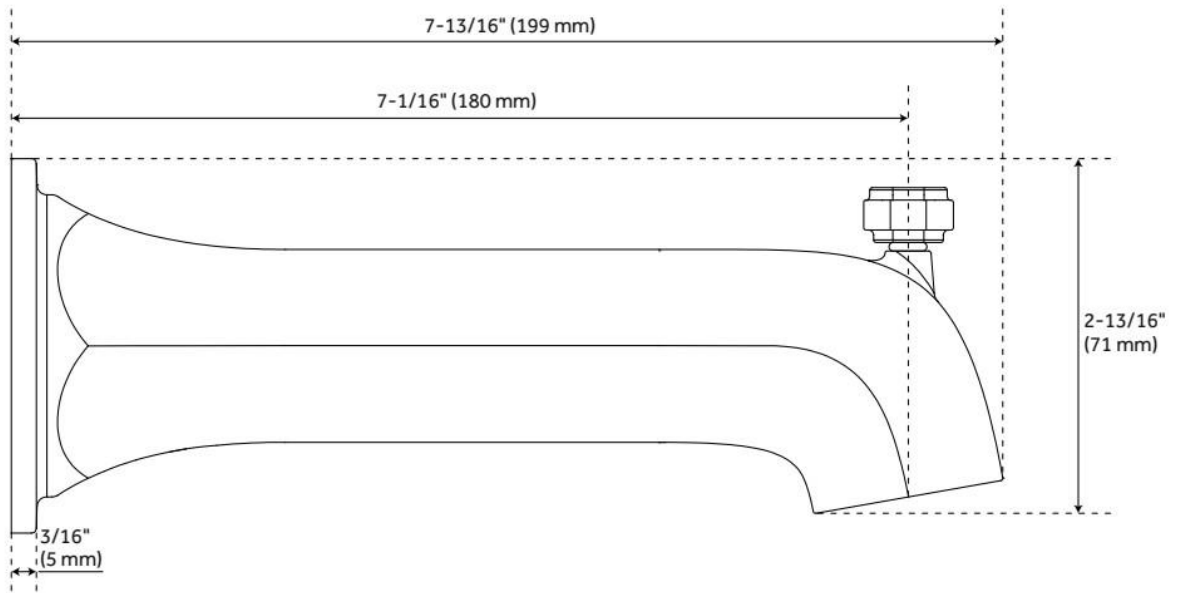
- Metal construction for ultimate strength and durability.
- 1/2" slip fit connection.

REVISED 7/1/2024



# ELITA TUB SPOUT WITH DIVERTER

SKU: 955089  
Code: SHEL441011



REVISED 7/1/2024

# PRESSURE BALANCE TUB & SHOWER ROUGH-IN VALVE

SKU: 446520  
Code: SH4001



## FEATURES

Material: Bronze  
Flow Rate: 6.34 gpm (24.0 L/min) @ 80 psi  
Connection Type: 1/2" MIP and SWT  
Cartridge Type: Ceramic Disc

IAPMO, ASME A112.18.1/CSA B125.1, ASSE 1016 Type P, Massachusetts Accepted, LISTED ID: SH4001



## ADDITIONAL FEATURES

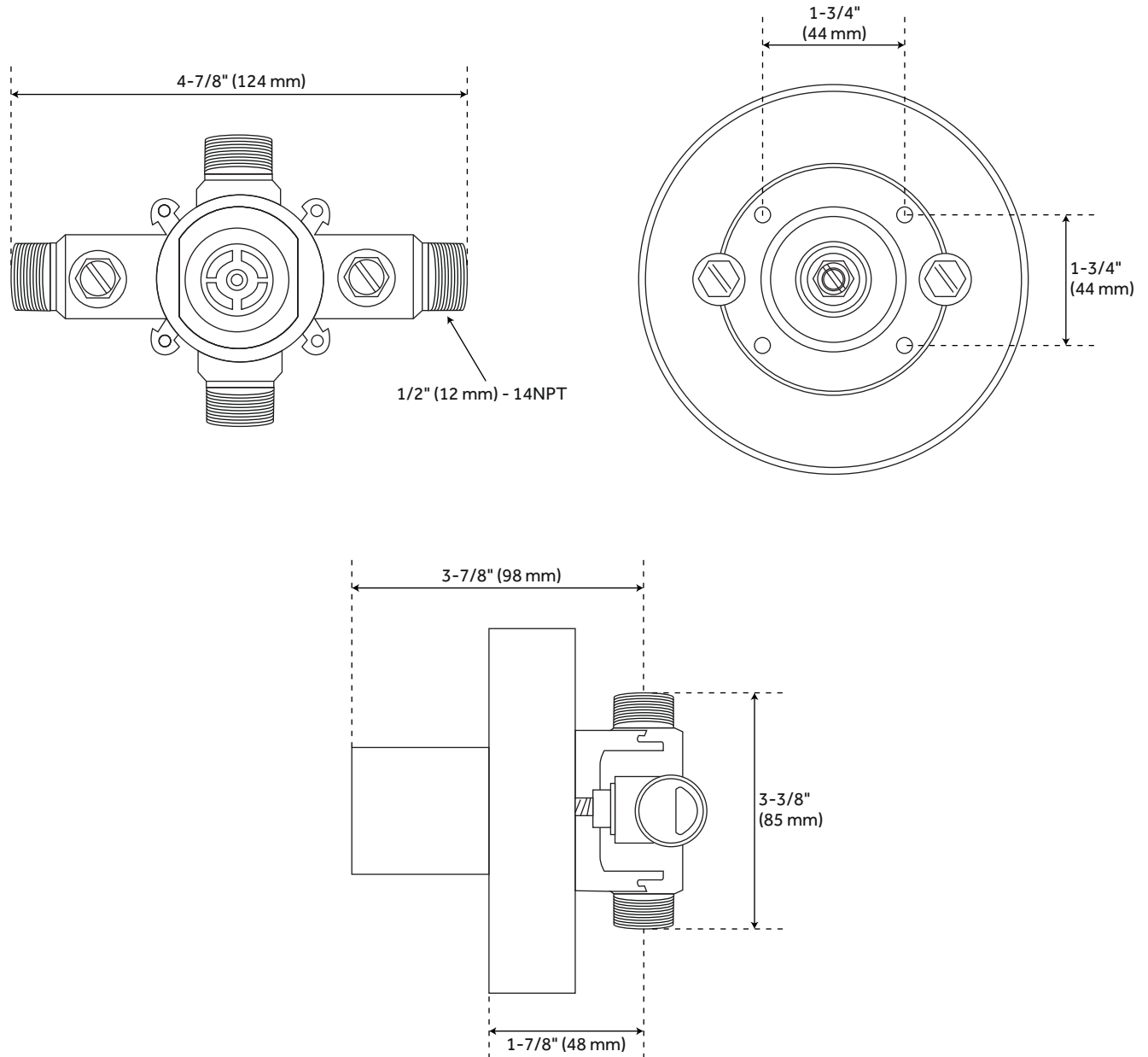
- Compatible with Beasley, Berwyn, Boca Raton, Drea, Edenton, Elita, Greyfield, Gunther, Hibiscus, Key West, Lentz, Lexia, Pendleton, Pinecrest, Provincetown, Rigi, Sefina, Vassor and Vilamonte Pressure Balance Trims.
- Pressure balance valve with integral stops.
- One-piece ceramic cartridge design for ease of maintenance.
- Back-to-back capability
- Cast bronze valve body.
- Adjustable temperature limit stop.
- Quick remove plaster guard and easy mounting brackets.

REVISED 8/14/2024

# PRESSURE BALANCE TUB AND SHOWER ROUGH-IN VALVE

SKU: 446520

SH4001



All dimensions and specifications are nominal and may vary. Use actual products for accuracy in critical situations.