

# ELITA PRESSURE BALANCE SHOWER SYSTEM WITH SLIDE BAR AND HAND SHOWER - CROSS HANDLES

SKU: 955093-C

Code: SHEL441001, SH4001, SHRSA123, SHRSB820RG, SHHS4090G, SHH1010, SHWE2040, SHSB3010, SHEL441004, SH6103, SHEL441003, SHEL441006



## FEATURES

Material: Metal  
Shower Head Swivel: Yes  
Hand Shower Flow Rate: 1.8 gpm (6.8 L/min) @ 80 psi  
Shower Head Flow Rate: 1.8 gpm (6.8 L/min) @ 80 psi  
Cartridge Type: Ceramic Disc

ASME A112.18.1/CSA B125.1, ASME A112.18.2/CSA B125.2, ASSE 1016 Type P, CEC Listed, WaterSense by IAPMO, Massachusetts Accepted, LISTED ID: SH4001, SH6103, SHH1010\*, SHHS4090G\*, SHRSB820RG\*, SHWE2040\*, SHRSA123\*, SHEL441001\*, SHEL441003\*, SHEL441004\*, SHEL441006\*, SHHS4090G\*\*



## ADDITIONAL FEATURES

- Metal construction for ultimate strength and durability.
- Single function 8" Rainfall shower head.
- 3 function hand shower (full spray, massage spray, full & massage spray).
- 60" - 72" stretchable metal shower hose.
- Included Rough-in valves:
  - Pressure balance valve features a one-piece cartridge design for ease of maintenance, back-to-back capability, a ceramic disc cartridge, cast bronze valve body, adjustable temperature limit stop, a quick remove plaster guard, easy mounting brackets and integral stops.
  - Diverter Valve features brass valve body and ceramic disc cartridge.
    - Six total settings allow for shared water flow between outlets, giving you the ability to use two functions at once.
    - Not intended as a shut off valve.

REVISED 7/18/2024

# 8" MODERN ROUND RAINFALL SHOWER HEAD - 1.8 GPM - CHROME

SKU: 948948-18

Code: SHRSB820RG, SH484203, SH485499, SHRSB820RGPB



## FEATURES

Material: ABS

Shower Head Swivel: Yes

ASME A112.18.1/CSA B125.1, CEC Listed, WaterSense by IAPMO, Massachusetts Accepted, LISTED ID: SHRSB820RG\*

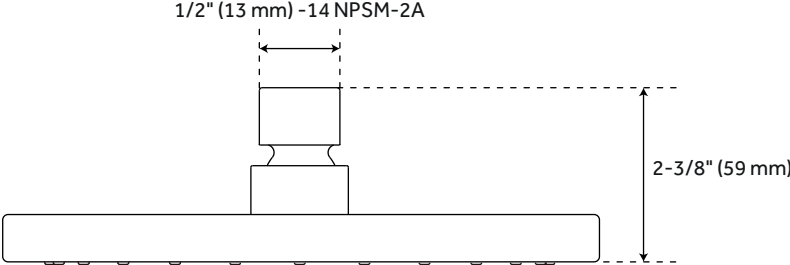
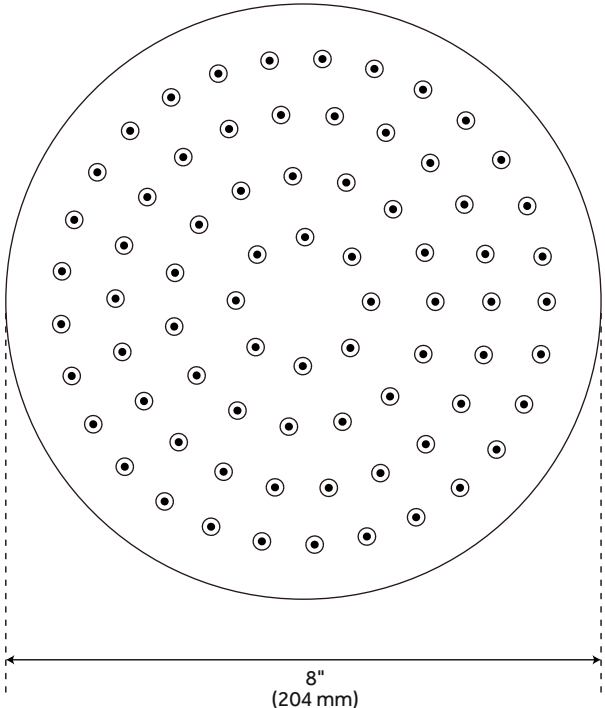


## ADDITIONAL FEATURES

- Single function shower head (full spray).
- Easy clean rubber nozzles.
- Brass ball joint.

REVISED 5/24/2024

# MODERN ROUND RAINFALL SHOWER HEAD - 1.8 GPM



All dimensions and specifications are nominal and may vary. Use actual products for accuracy in critical situations.

# WALL-MOUNT RAINFALL SHOWER ARM

SKU: 948955

Code: SHRSA123, SHRSA181, SH485514, SHRSA150

## FEATURES

Material: Stainless Steel

Connection Type: 1/2" NPT



ASME A112.18.1/CSA B125.1, Massachusetts Accepted, LISTED ID: SHRSA123\*, SHRSA181\*, SHRSA150\*



## ADDITIONAL FEATURES

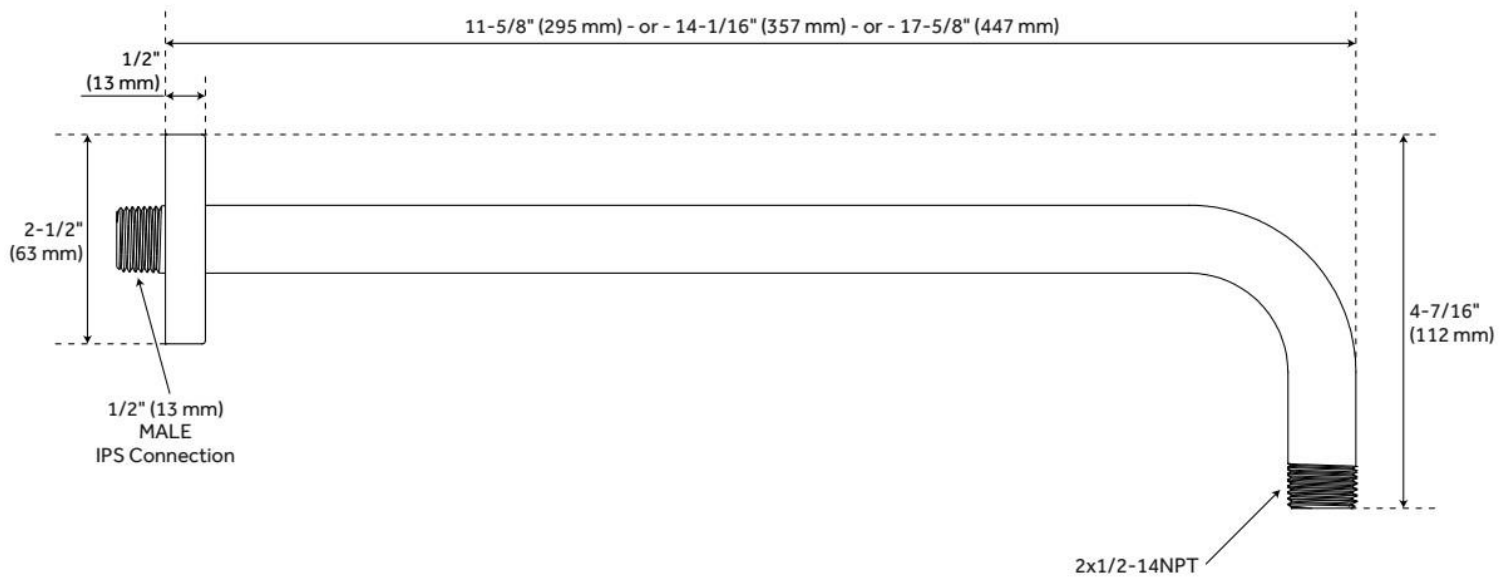
- All dimensions are ( $\pm 1/2"$ ).
- Escutcheon included.

REVISED 6/10/2024

# WALL-MOUNT RAINFALL SHOWER ARM

SKU: 948955

Code: SHRSA123, SHRSA181, SH485514, SHRSA150



REVISED 6/10/2024

# PINECREST HAND SHOWER

SKU: 948929  
Code: SHHS4090G

## FEATURES

Material: ABS  
Hand Shower Spray: Full  
Hand Shower Flow Rate: 1.8 gpm (6.8 L/min) @ 80 psi



ASME A112.18.1/CSA B125.1, CEC Listed, WaterSense by IAPMO, Massachusetts Accepted, LISTED ID: SHHS4090G\*, SHHS4090G\*\*



## ADDITIONAL FEATURES

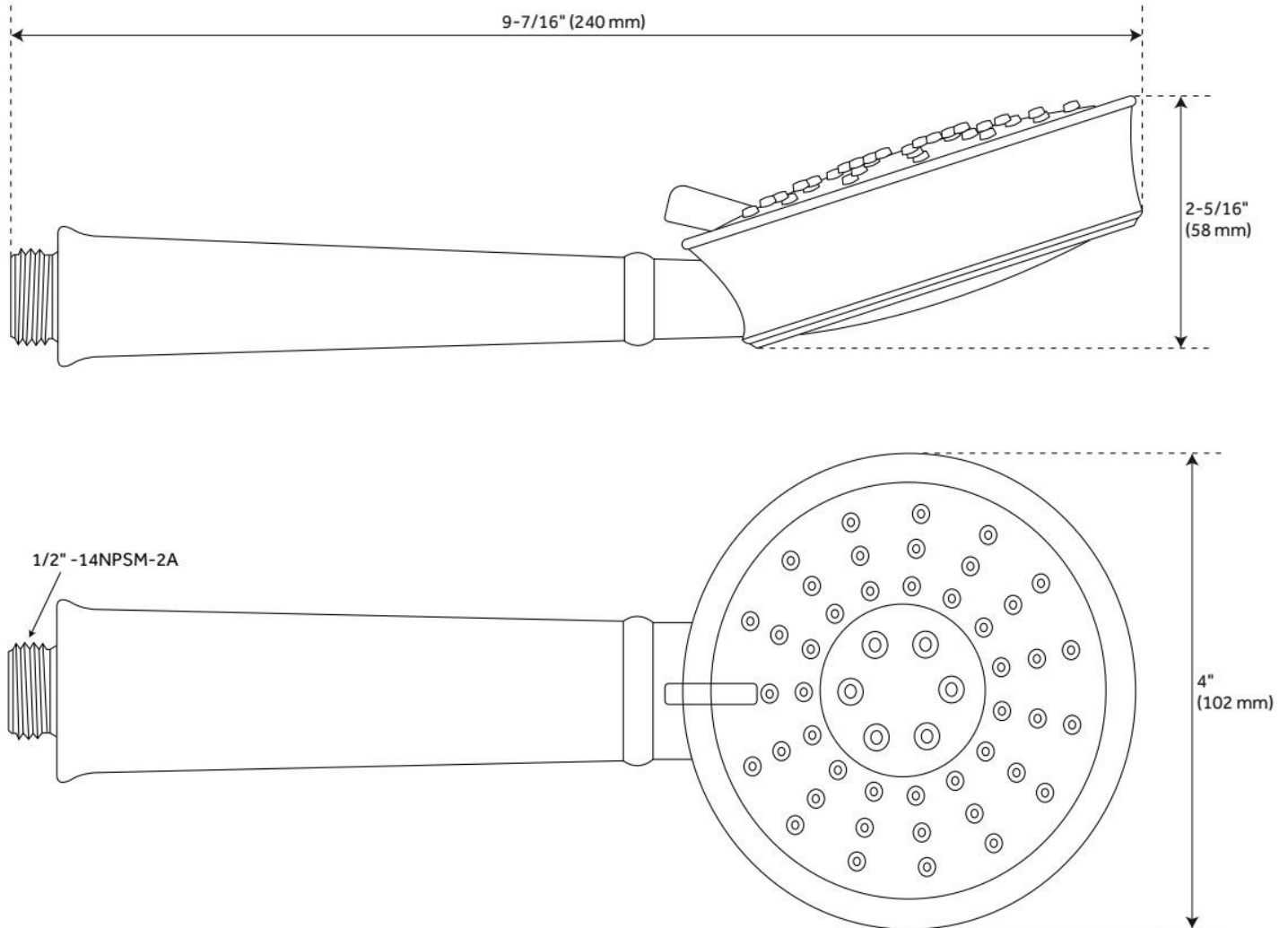
- 3 function hand shower (full spray, massage spray, full & massage spray).
- Easy-clean spray nozzles.
- Factory installed backflow prevention check valve.
- Hose sold separately.

REVISED 5/24/2024

# PINECREST HAND SHOWER

SKU: 948929

Code: SHHS4090G



REVISED 5/24/2024

# ELITA PRESSURE BALANCE SHOWER VALVE TRIM - CROSS HANDLE

SKU: 955084-C

Code: SHEL441001, SHEL441003, SH4001



## FEATURES

Material: Metal

Required for Installation: Requires rough-in valve (SH4001)

Optional Accessory: Extension kit available (ACF4001EXT)

ASME A112.18.1/CSA B125.1, ASSE 1016 Type P, Massachusetts Accepted, LISTED ID: SHEL441001\*, SHEL441003\*, SH4001



## ADDITIONAL FEATURES

- Metal construction for ultimate strength and durability.
- When purchased with optional but required for install Rough-in Valve:
  - Pressure balance valve with integral stops.
  - One-piece cartridge design for ease of maintenance.
  - Back-to-back capability.
  - Ceramic disc valve cartridge.
  - Cast bronze valve body.
  - Adjustable temperature limit stop.
  - Quick remove plaster guard.
  - Easy mounting brackets.

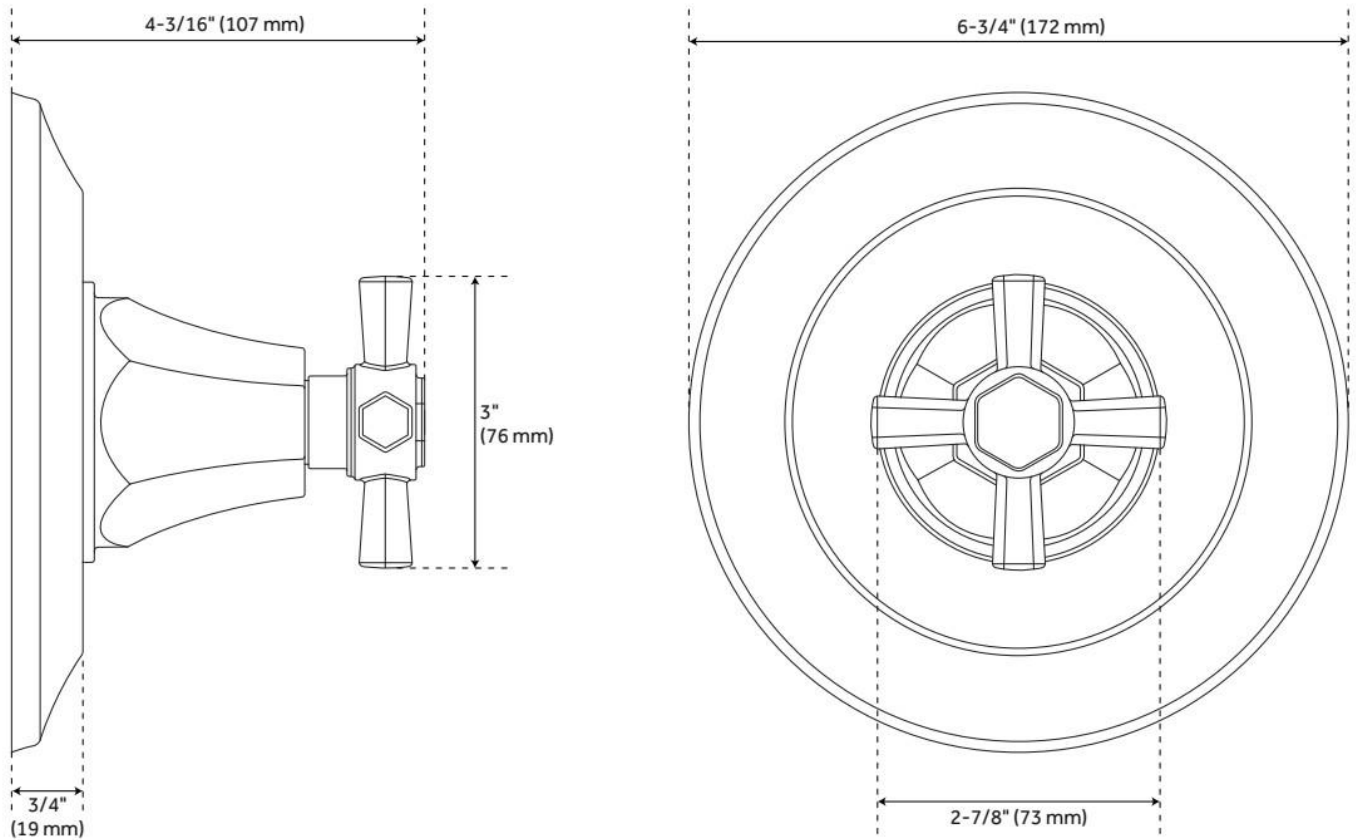
REVISED 7/1/2024



# ELITA PRESSURE BALANCE SHOWER VALVE TRIM - CROSS HANDLE

SKU: 955084-C

Code: SHEL441001, SHEL441003, SH4001



REVISED 7/1/2024

# ELITA IN-WALL SHOWER DIVERTER TRIM - CROSS HANDLE

SKU: 955085-C

Code: SHEL441004, SHEL441006, SH6103



## FEATURES

Material: Metal

Required for Installation: Requires rough-in valve (SH6103 or SH6101)

Optional Accessory: Extension kit available (SH6101EXT).

CALGreen non-shared position cartridge available (SH6150).

ASME A112.18.1/CSA B125.1, ASME A112.18.2/CSA B125.2, Massachusetts Accepted, LISTED ID: SHEL441004\*, SHEL441006\*, SH6103



## ADDITIONAL FEATURES

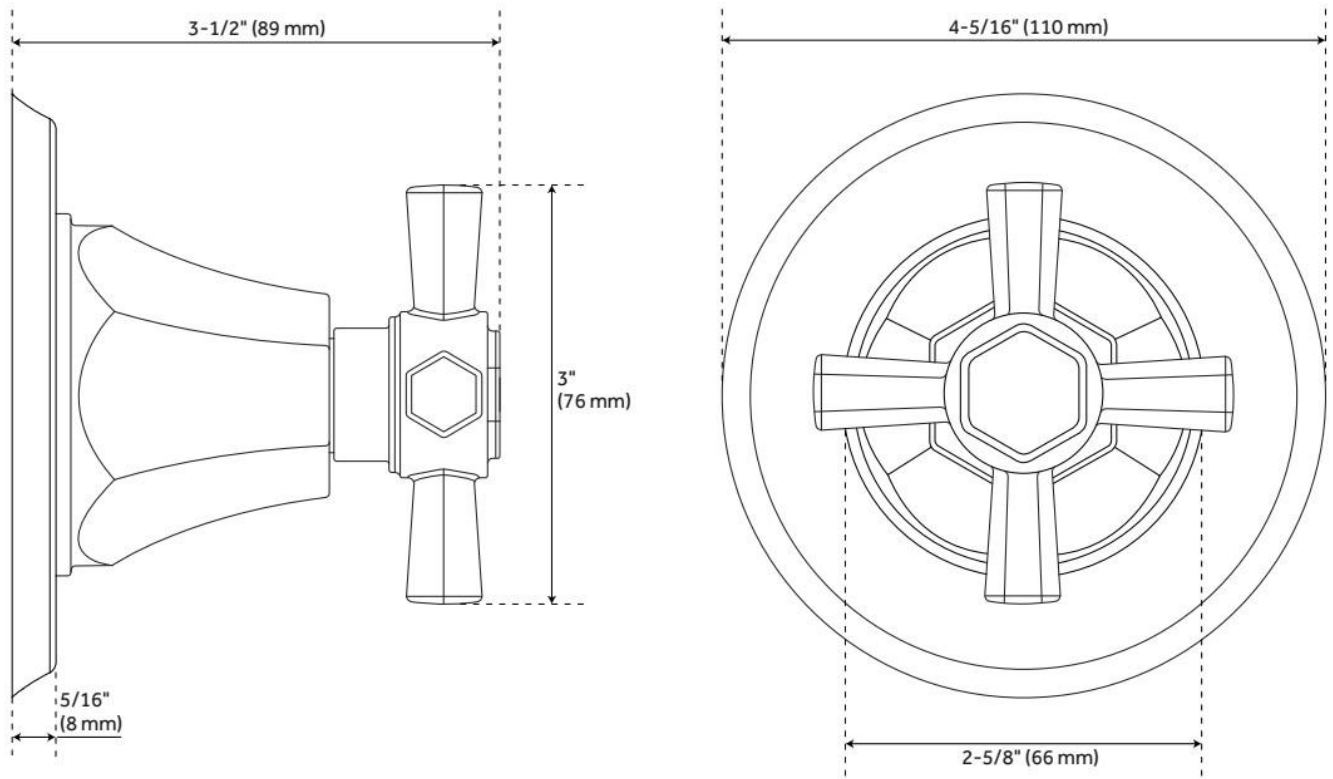
- Metal construction for ultimate strength and durability.
- May purchase with or without valve. Value required for use.
- When purchased with Rough-in Valve:
  - Brass valve body.
  - Ceramic disc cartridge.
  - Not intended as a shut off valve.

REVISED 7/1/2024

# ELITA IN-WALL SHOWER DIVERTER TRIM - CROSS HANDLE

SKU: 955085-C

Code: SHEL441004, SHEL441006, SH6103



REVISED 7/1/2024

# 3-WAY IN-WALL DIVERTER ROUGH-IN VALVE

SKU: 953056  
Code: SH6103, SH6101

## FEATURES

Material: Brass



ASME A112.18.1/CSA B125.1, ASME A112.18.2/CSA B125.2, Massachusetts Accepted, LISTED ID: SH6103, SH6101



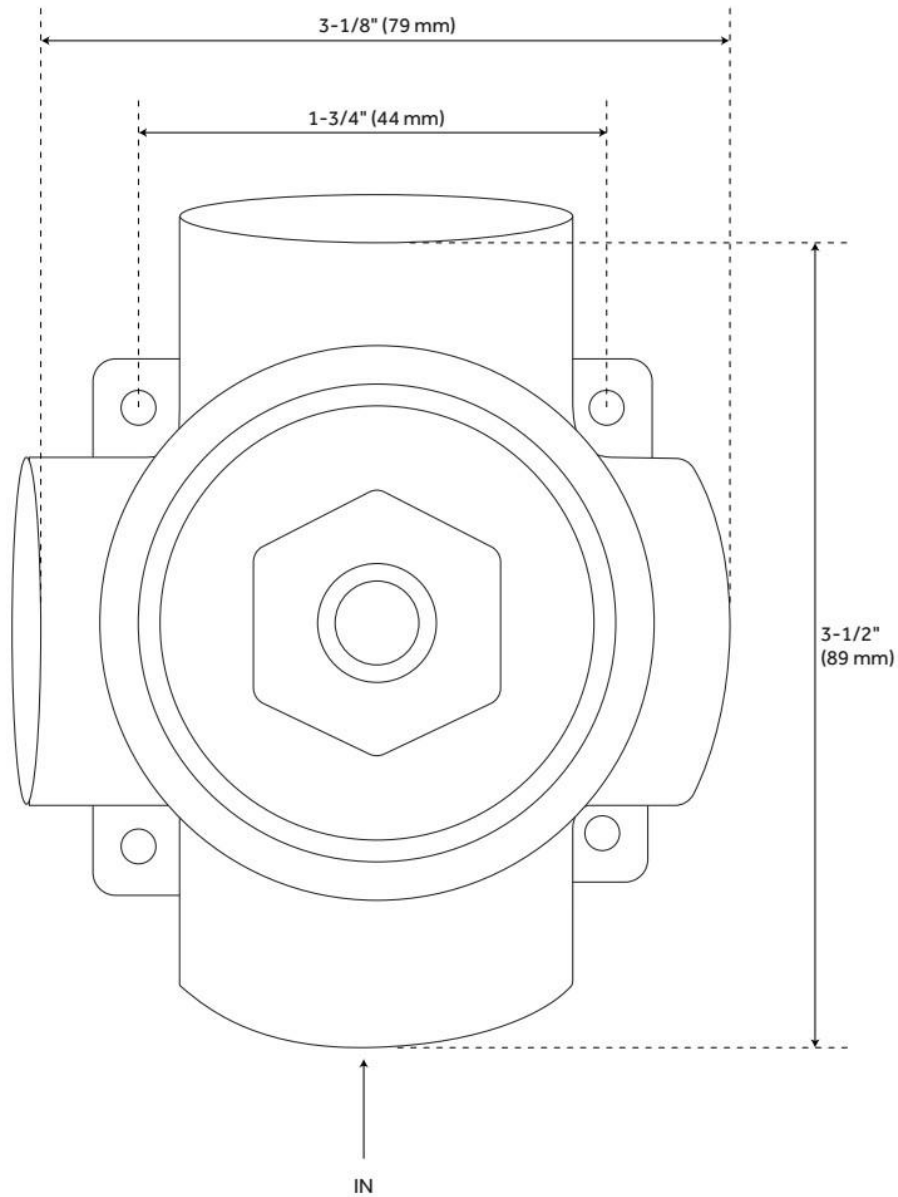
## ADDITIONAL FEATURES

- Six total settings allow for shared water flow between outlets, giving you the ability to use two functions at once.
- Ceramic cartridge.
- Available Single-Function Diverter Valve Cartridge restricts water flow to one outlet at a time.
- Not intended as a shut off valve.
- For installations only requiring 2 outlets, the 3rd outlet may be looped into one of the existing pipes.

REVISED 5/29/2024

# 3-WAY IN-WALL DIVERTER ROUGH-IN VALVE

SKU: 953056  
Code: SH6103, SH6101



REVISED 5/29/2024

# CONTEMPORARY ROUND WATER SUPPLY ELBOW FOR HAND SHOWER

SKU: 932365

Code: SHWE2040, SH417826, SH484207, SH485502



## FEATURES

Material: Brass

Connection Type: 1/2" NPT

ASME A112.18.1/CSA B125.1, LISTED ID: SHWE2040\*



## ADDITIONAL FEATURES

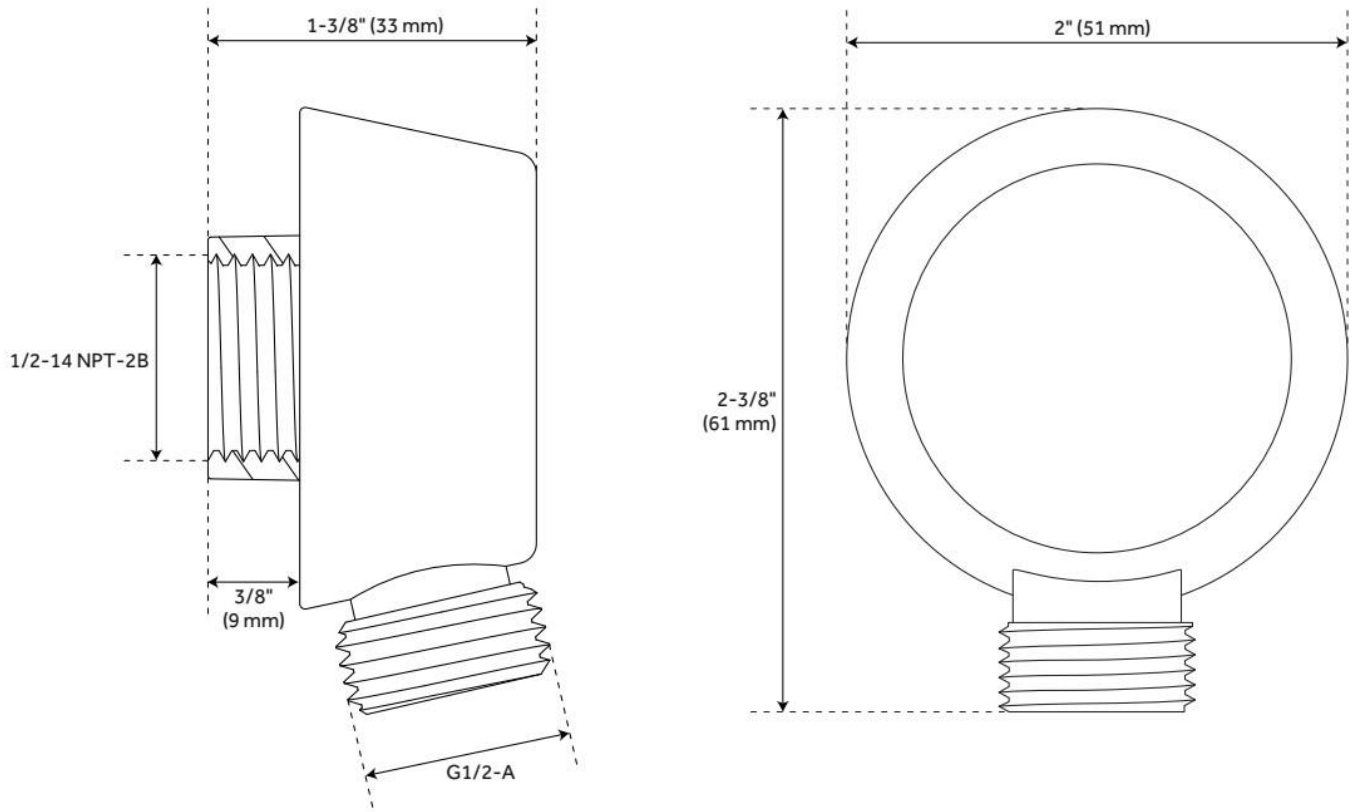
- 1/2" Female wall connection.
- 1/2" Male hose connection.

REVISED 6/5/2024

# CONTEMPORARY ROUND WATER SUPPLY ELBOW FOR HAND SHOWER

SKU: 932365

Code: SHWE2040, SH417826, SH484207, SH485502



REVISED 6/5/2024

# 60" STRETCHABLE METAL HAND SHOWER HOSE

SKU: 948938

Code: SHH1010, SH484205, SH485500, SHH1010PB

## FEATURES

Connection Type: 1/2" IPS



ASME A112.18.1/CSA B125.1, Massachusetts Accepted, LISTED ID: SHH1010\*



## ADDITIONAL FEATURES

- 60" - 72" stretchable metal shower hose.
- Double spiral construction.
- Metal conical nut.

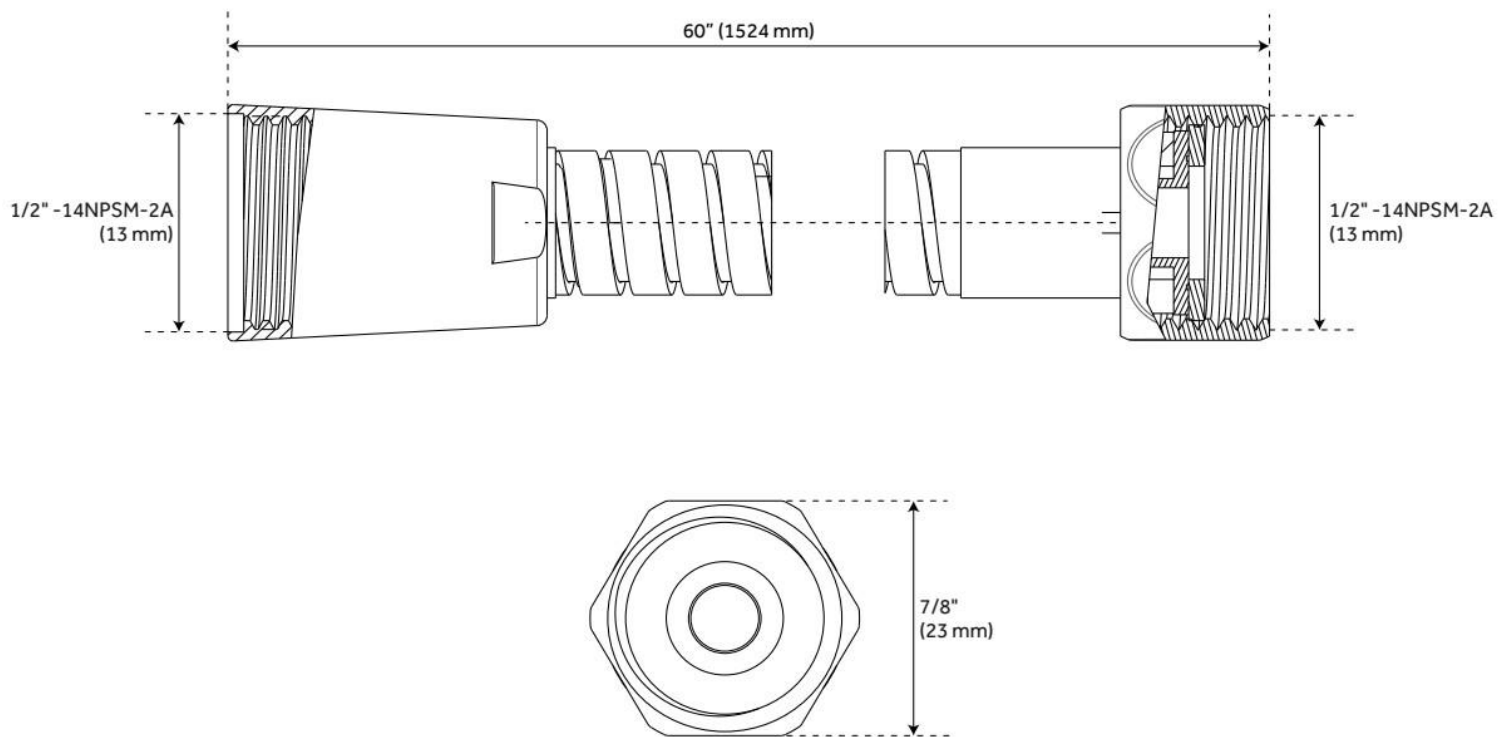
REVISED 5/24/2024



# 60" STRETCHABLE METAL HAND SHOWER HOSE

SKU: 948938

Code: SHH1010, SH484205, SH485500, SHH1010PB



REVISED 5/24/2024

# 30" TRADITIONAL SLIDE BAR FOR HAND SHOWER

SKU: 948916  
Code: SHSB3010



## FEATURES

Material: Brass

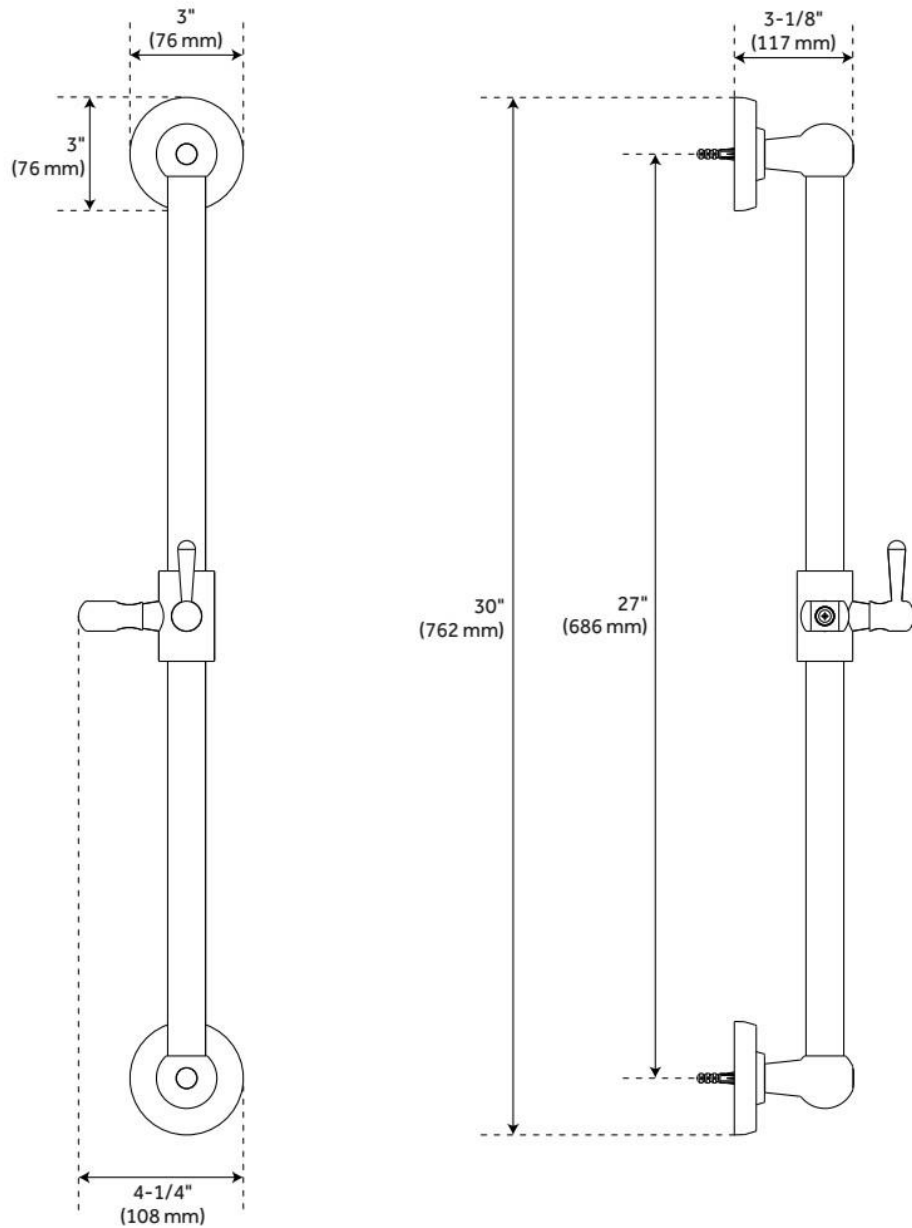
## ADDITIONAL FEATURES

- Metal bar and mounting posts.
- Adjustable angle for handshower mount.

REVISED 6/5/2024

# 30" TRADITIONAL SLIDE BAR FOR HAND SHOWER

SKU: 948916  
Code: SHSB3010



REVISED 6/5/2024

# PRESSURE BALANCE TUB & SHOWER ROUGH-IN VALVE

SKU: 446520  
Code: SH4001



## FEATURES

Material: Bronze  
Flow Rate: 6.34 gpm (24.0 L/min) @ 80 psi  
Connection Type: 1/2" MIP and SWT  
Cartridge Type: Ceramic Disc

IAPMO, ASME A112.18.1/CSA B125.1, ASSE 1016 Type P, Massachusetts Accepted, LISTED ID: SH4001



## ADDITIONAL FEATURES

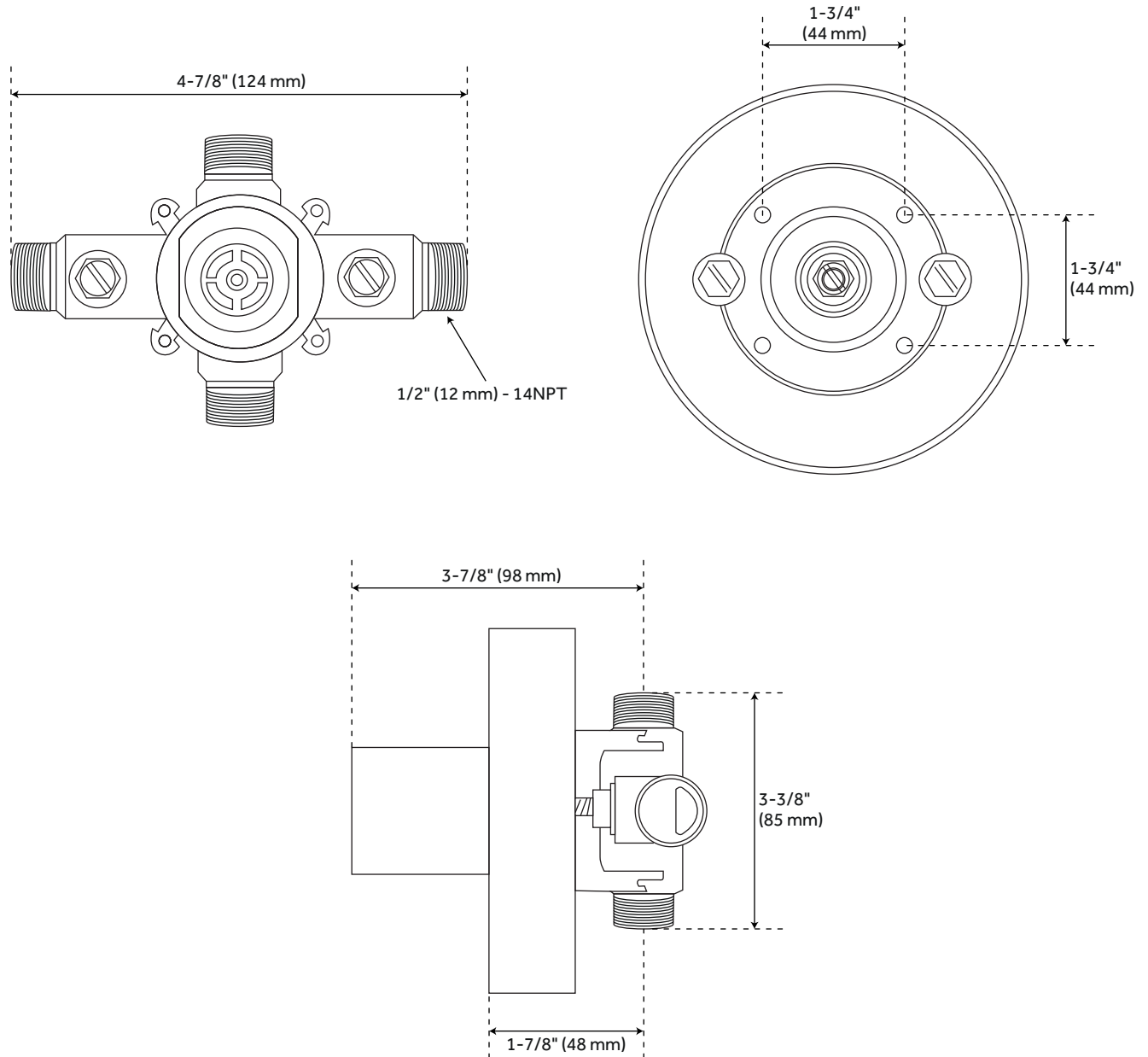
- Compatible with Beasley, Berwyn, Boca Raton, Drea, Edenton, Elita, Greyfield, Gunther, Hibiscus, Key West, Lentz, Lexia, Pendleton, Pinecrest, Provincetown, Rigi, Sefina, Vassor and Vilamonte Pressure Balance Trims.
- Pressure balance valve with integral stops.
- One-piece ceramic cartridge design for ease of maintenance.
- Back-to-back capability
- Cast bronze valve body.
- Adjustable temperature limit stop.
- Quick remove plaster guard and easy mounting brackets.

REVISED 8/14/2024

# PRESSURE BALANCE TUB AND SHOWER ROUGH-IN VALVE

SKU: 446520

SH4001



All dimensions and specifications are nominal and may vary. Use actual products for accuracy in critical situations.