

MODERN RETRACTABLE WALL-MOUNT POT FILLER FAUCET

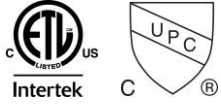
SKU: 955096
Code: SH349721



FEATURES

Faucet Centers: Single-Hole
Installation Type: Wall Mount
Flow Rate: 4.8 gpm (18.2 L/min) @ 60 psi
Cartridge Type: Ceramic Disc
Swivel Spout: Yes

ASME A112.18.1/CSA B125.1, NSF/ANSI 372, NSF/ANSI 61, NSF/ANSI/CAN 61, NSF/ANSI/CAN 61-9:Q≤1,
Massachusetts Accepted, LISTED ID: SH349721XX

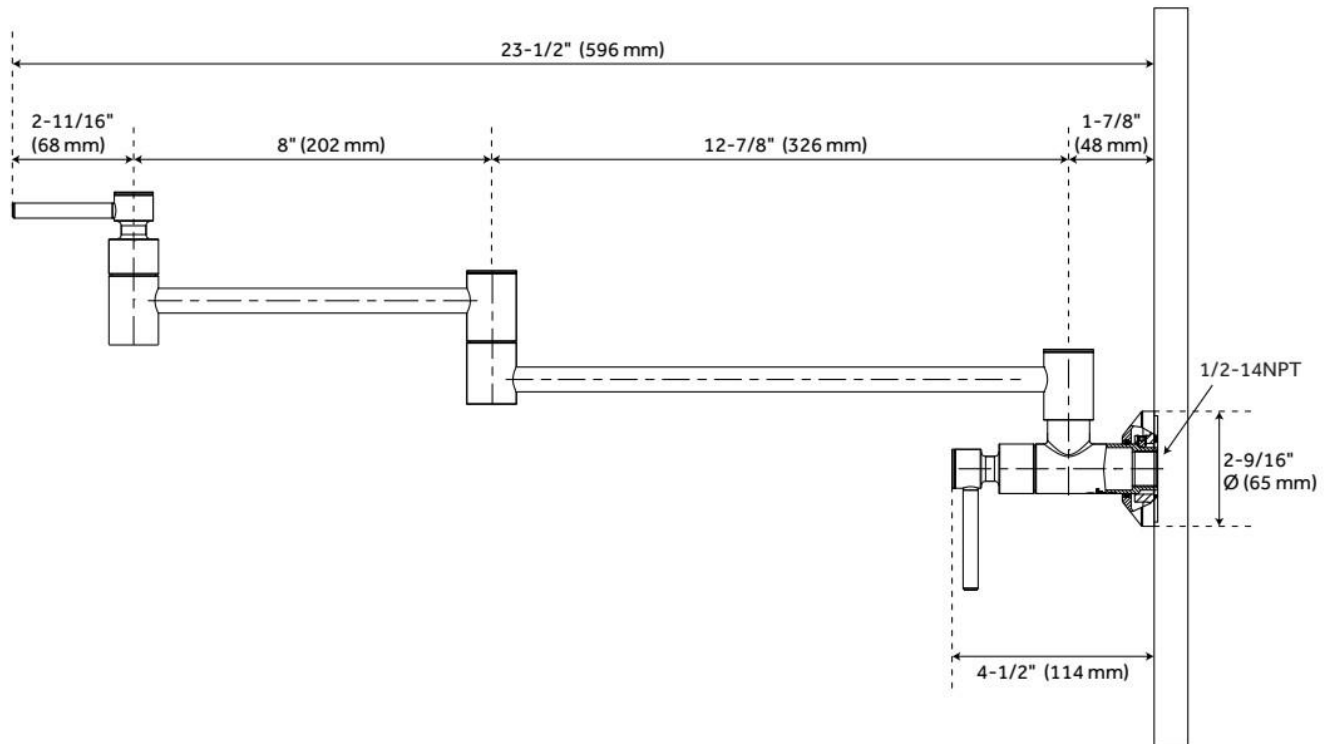
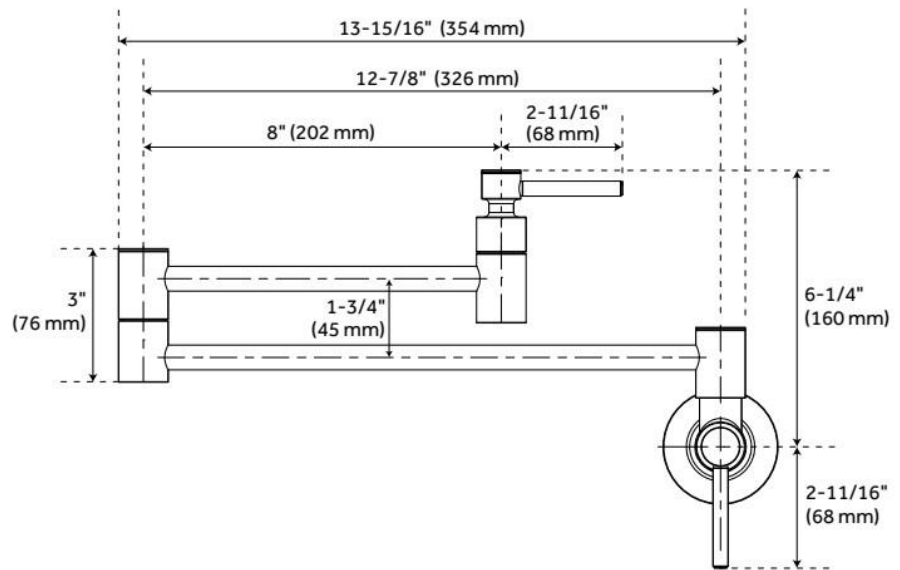


ADDITIONAL FEATURES

REVISED 9/30/2024

MODERN RETRACTABLE WALL-MOUNT POT FILLER FAUCET

SKU: 955096
Code: SH349721



REVISED 9/30/2024