

# BERWYN 4-HOLE ROMAN TUB FAUCET AND HAND SHOWER

SKU: 955101

Code: SHBW4RTG, SH674164



## FEATURES

Material: Metal construction for strength and durability

Faucet Centers: 6" - 10"

Installation Type: Deck Mount

Flow Rate: 15.0 gpm (56.4 L/min) @ 80 psi

Hand Shower Flow Rate: 1.75 gpm (6.6 L/min) @ 80 psi

Spray Type: Full

Cartridge Type: Ceramic Disc

Swivel Spout: No

Required for Installation: Rough-in valve: SH674164

ASME A112.18.1/CSA B125.1, CEC Listed, WaterSense by IAPMO, LISTED ID: SHBW4RTGXX, SH674164



## ADDITIONAL FEATURES

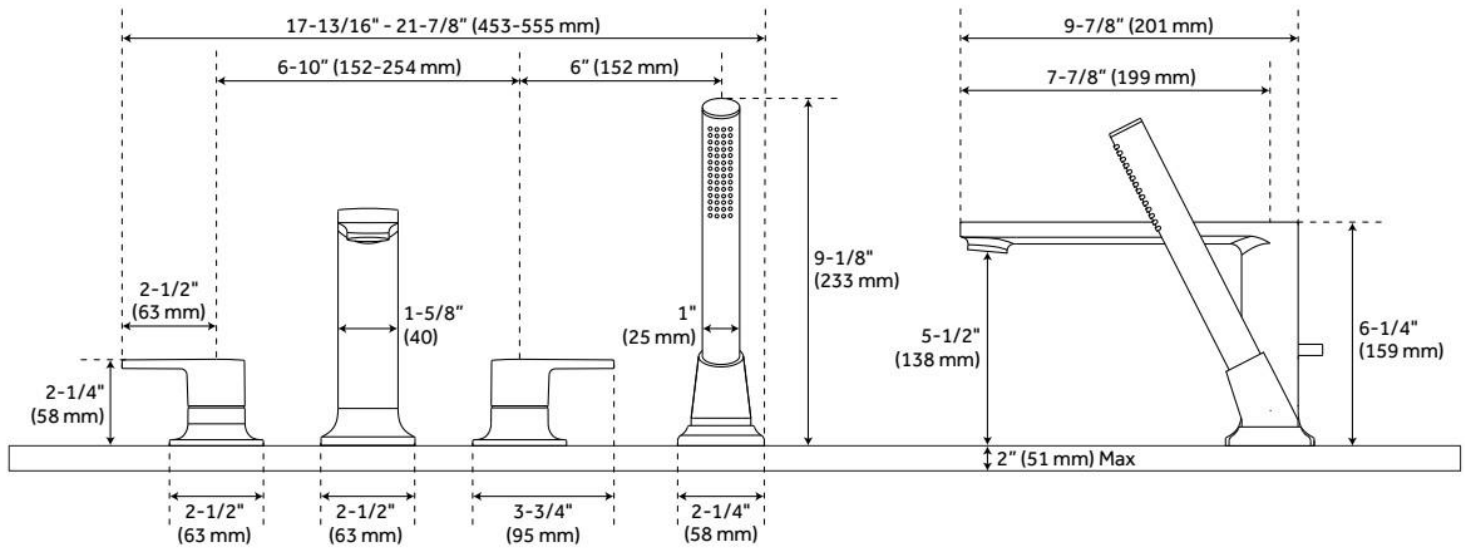
- Lift rod diverter to handshower.
- Handshower includes factory installed backflow prevention check valve.

REVISED 2/13/2025

# BERWYN 4-HOLE ROMAN TUB FAUCET AND HAND SHOWER

SKU: 955101

Code: SHBW4RTG, SH674164



REVISED 2/13/2025

# 4-HOLE ROMAN TUB FAUCET ROUGH-IN VALVE

SKU: 448005  
Code: SH674164

## FEATURES



IAPMO, ASME A112.18.1/CSA B125.1, Massachusetts Accepted, LISTED ID: SH674164



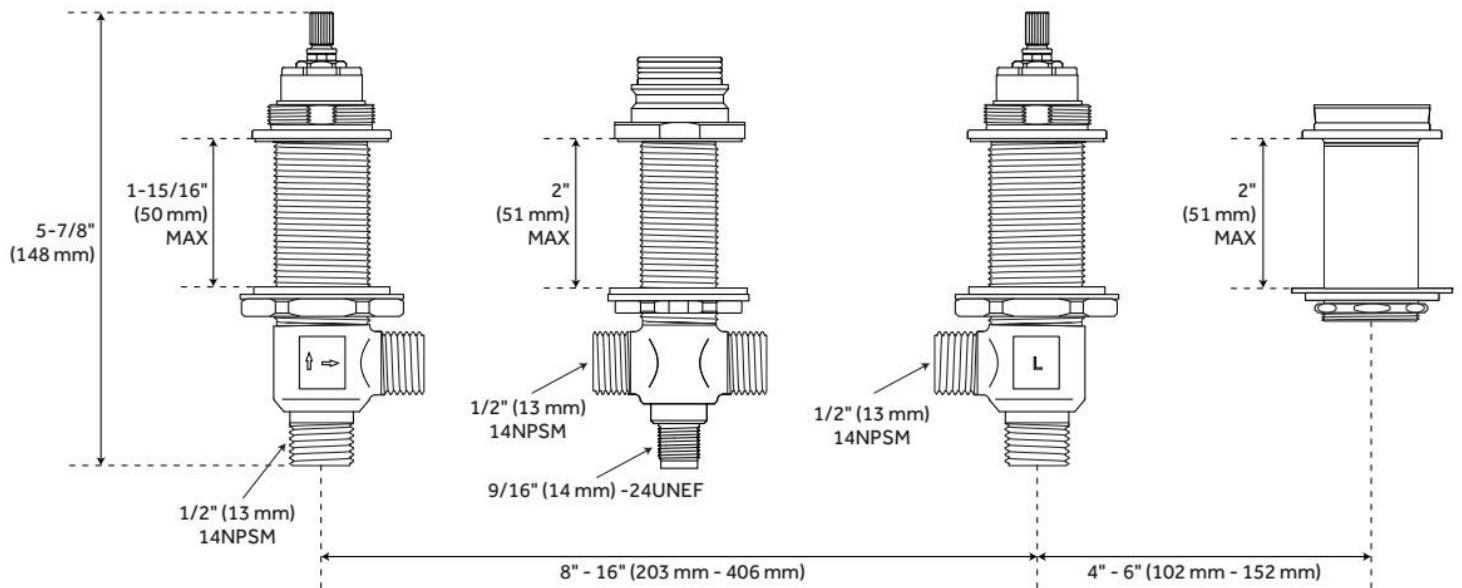
## ADDITIONAL FEATURES

- 4-Hole Installation.
- Brass coupling nut.
- Faucet can be installed with variable centers from 8" - 16".

REVISED 2/13/2025

# 4-HOLE ROMAN TUB FAUCET ROUGH-IN VALVE

SKU: 448005  
Code: SH674164



REVISED 2/13/2025