

# VASSOR THERMOSTATIC SHOWER SYSTEM WITH SLIDE BAR AND HAND SHOWER

SKU: 955121

Code: SH6103, SHVA9005, SHHS4030G, SHH1010, SHVA9007, SHVA9009, SH6006, SH6040, SHRSB820RG, SHSB3040, SHWE2040, SHRSA122



## FEATURES

- Material: Metal
- Shower Head Swivel: Yes
- Shower Head Spray: Rainfall
- Connection Type: NPT
- Diverter Outlets: 3
- Cartridge Type: Ceramic Disc

ASME A112.18.1/CSA B125.1, ASME A112.18.2/CSA B125.2, CEC Listed, WaterSense by IAPMO, Massachusetts Accepted, LISTED ID: SH6103, SH6006, SH6040, SHHS4030G\*, SHRSB820RG\*, SHH1010\*, SHWE2040\*, N/A, SHRSA122\*, SHVA9005\*, SHVA9009\*, SHVA9007\*



## ADDITIONAL FEATURES

- Thermostatic technology keeps shower temperature within 1 degree Celsius.
- Temperature outlet factory calibrated to 104 degrees Fahrenheit and can be easily adjusted up or down to user's comfort level.
- Six total settings allow for shared water flow between outlets, giving you the ability to use two functions at once.
- Metal handles.
- Single function shower head (full spray) with easy-clean silicone nozzles.
- Single function hand shower.
- 60" - 72" stretchable metal shower hose.
- Adjustable angle for hand shower mount.
- Must be installed in accordance with provided installation instructions.
- Recommended valve installation depth 1-5/8" to 2-3/8"
- Included Rough-in valves:
  - Thermostatic rough-in valve features scald guard protection, high temperature limit stop, integral water stops and check valve, a ceramic cartridge, and a bronze valve body.
  - Volume control rough-in valve features a ceramic disc cartridge and brass valve body.
  - Diverter valve features a ceramic disc cartridge and brass valve body. An available Single-Function Diverter valve Cartridge restricts water flow to one outlet at a time.

REVISED 10/30/2024

# VASSOR IN-WALL SHOWER DIVERTER TRIM - CHROME

SKU: 484019  
Code: SHVA9005



## FEATURES

Material: Metal

ASME A112.18.1/CSA B125.1, Massachusetts Accepted, Massachusetts Accepted, LISTED ID: SHVA9005\*



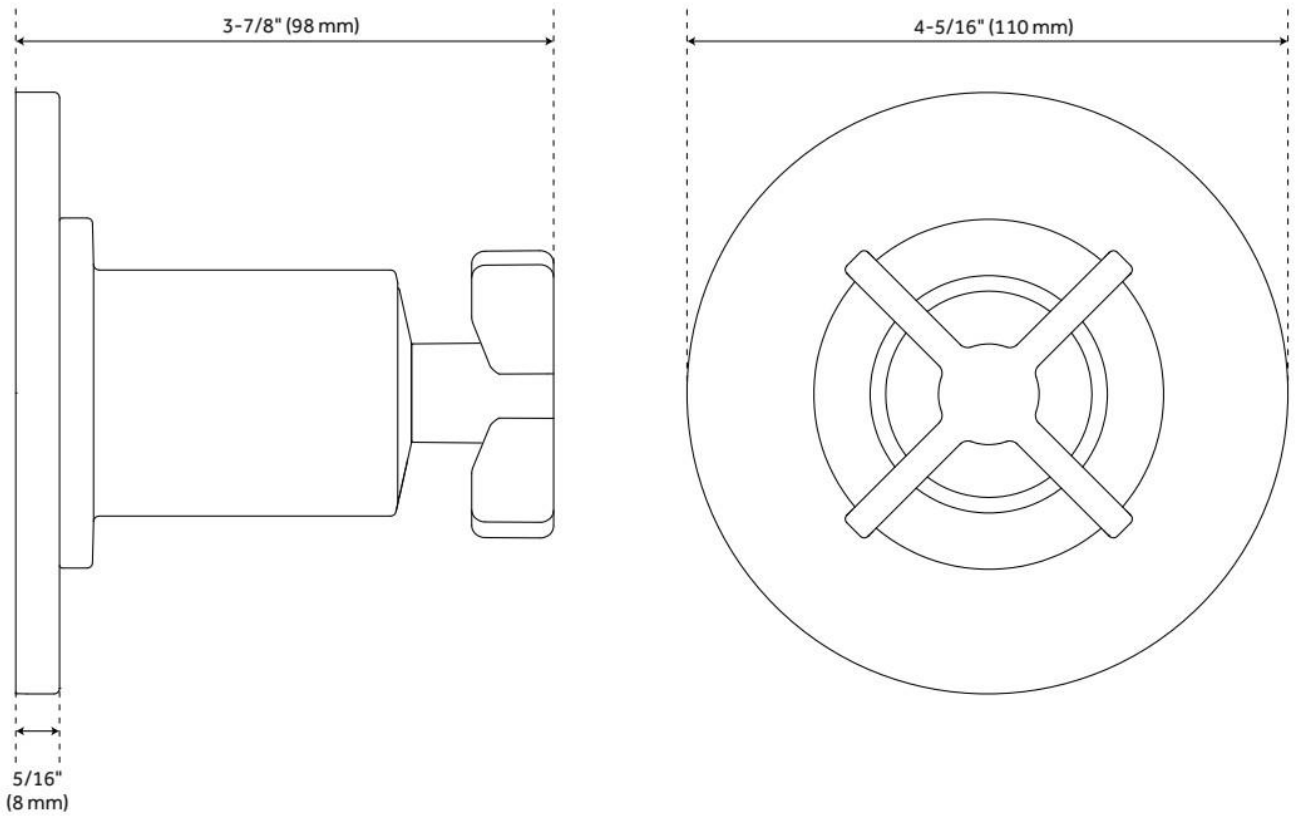
## ADDITIONAL FEATURES

- Metal cross handle.
- Not intended as a shut off valve.
- Wall thickness range: 1" - 1-3/4".
- Extension kit available (SH6101EXT).
- Included Rough-in Valve:
  - Six total settings allow for shared water flow between outlets, giving you the ability to use two functions at once.
  - Single-Function CALGreen Diverter Valve Cartridge that restricts water flow to one outlet at a time available. (SH6150)
  - Brass valve body.
  - Ceramic cartridge.
  - Recommended valve installation depth 1-5/8" to 2-3/8".
  - Must be installed in accordance with provided installation instructions

REVISED 9/17/2024

# VASSOR IN-WALL SHOWER DIVERTER TRIM - CHROME

SKU: 484019  
Code: SHVA9005



REVISED 9/17/2024

# 8" MODERN ROUND RAINFALL SHOWER HEAD - 1.75 GPM

SKU: 948948-18

Code: SHRSB820RG, SH484203, SH485499, SHRSB820RGPB



## FEATURES

Material: ABS

Shower Head Swivel: Yes

Flow Rate: 1.75 gpm (6.6 L/min) @ 80 psi

ASME A112.18.1/CSA B125.1, CEC Listed, WaterSense by IAPMO, Massachusetts Accepted, LISTED ID:  
SHRSB820RG\*

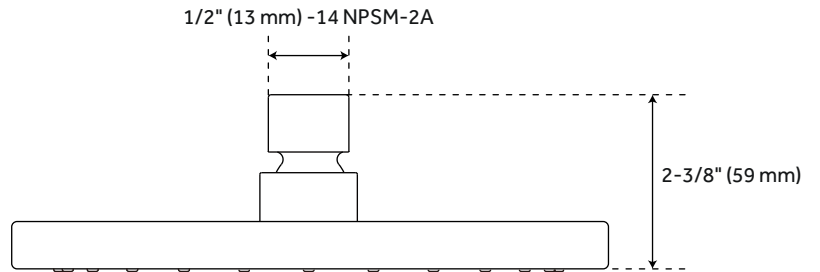
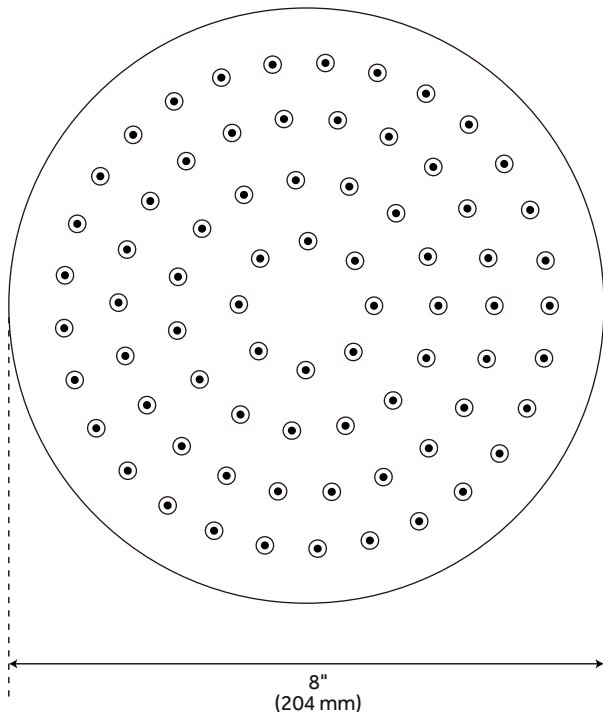


## ADDITIONAL FEATURES

- Single function shower head (full spray).
- Easy clean rubber nozzles.
- Brass ball joint.

REVISED 11/22/2024

# 8" MODERN ROUND RAINFALL SHOWER HEAD - 1.75 GPM



All dimensions and specifications are nominal and may vary. Use actual products for accuracy in critical situations.

# CYLINDRICAL WALL-MOUNT SHOWER ARM

SKU: 953769

Code: SHRSA122, SH484204

## FEATURES

Material: Metal

Connection Type: 1/2" NPT



ASME A112.18.1/CSA B125.1, Massachusetts Accepted, LISTED ID: SHRSA122\*



## ADDITIONAL FEATURES

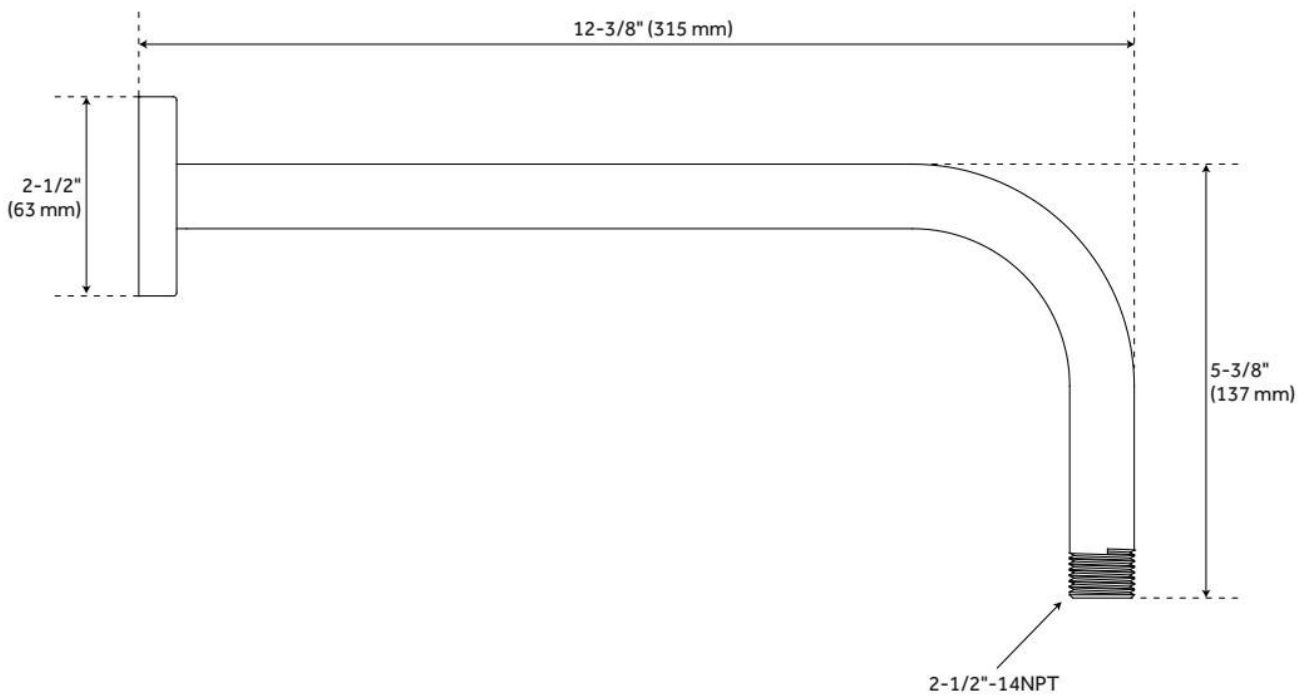
- Escutcheon included.

REVISED 9/17/2024

# CYLINDRICAL WALL-MOUNT SHOWER ARM

SKU: 953769

Code: SHRSA122, SH484204



REVISED 9/17/2024

# CONTEMPORARY SLIDE BAR FOR HAND SHOWER

SKU: 948919

Code: SHSB3040, SH484206, SH485501

## FEATURES



LISTED ID: N/A

## ADDITIONAL FEATURES

- Adjustable angle for hand shower mount.

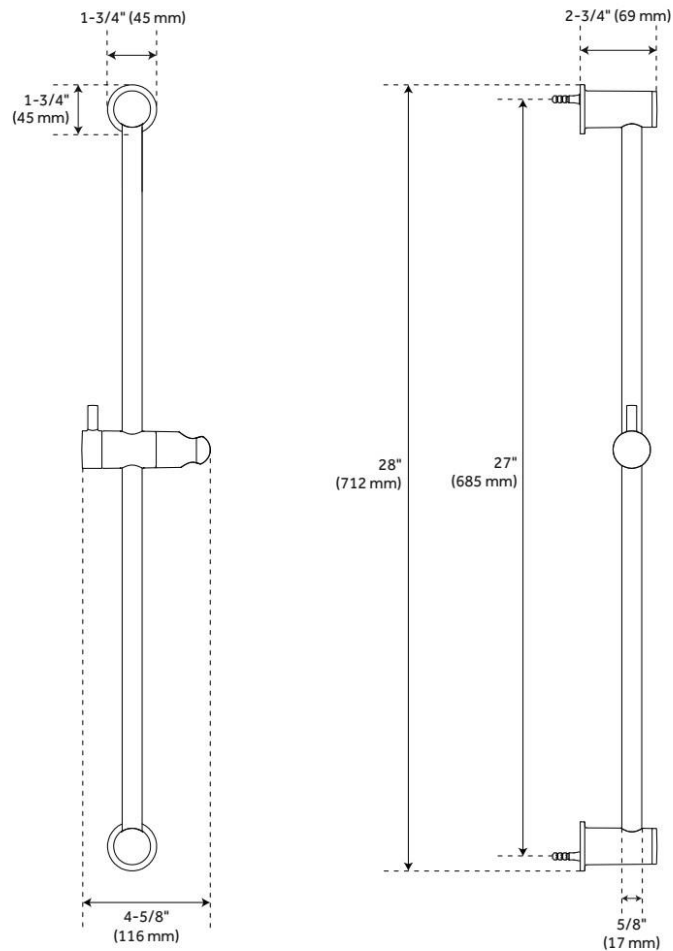
REVISED 9/17/2024



# CONTEMPORARY SLIDE BAR FOR HAND SHOWER

SKU: 948919

Code: SHSB3040, SH484206, SH485501



REVISED 9/17/2024

# CONTEMPORARY ROUND WATER SUPPLY ELBOW FOR HAND SHOWER

SKU: 932365

Code: SHWE2040, SH484207, SH485502



## FEATURES

Material: Metal

Connection Type: 1/2" NPT

ASME A112.18.1/CSA B125.1, Massachusetts Accepted, LISTED ID: SHWE2040\*



## ADDITIONAL FEATURES

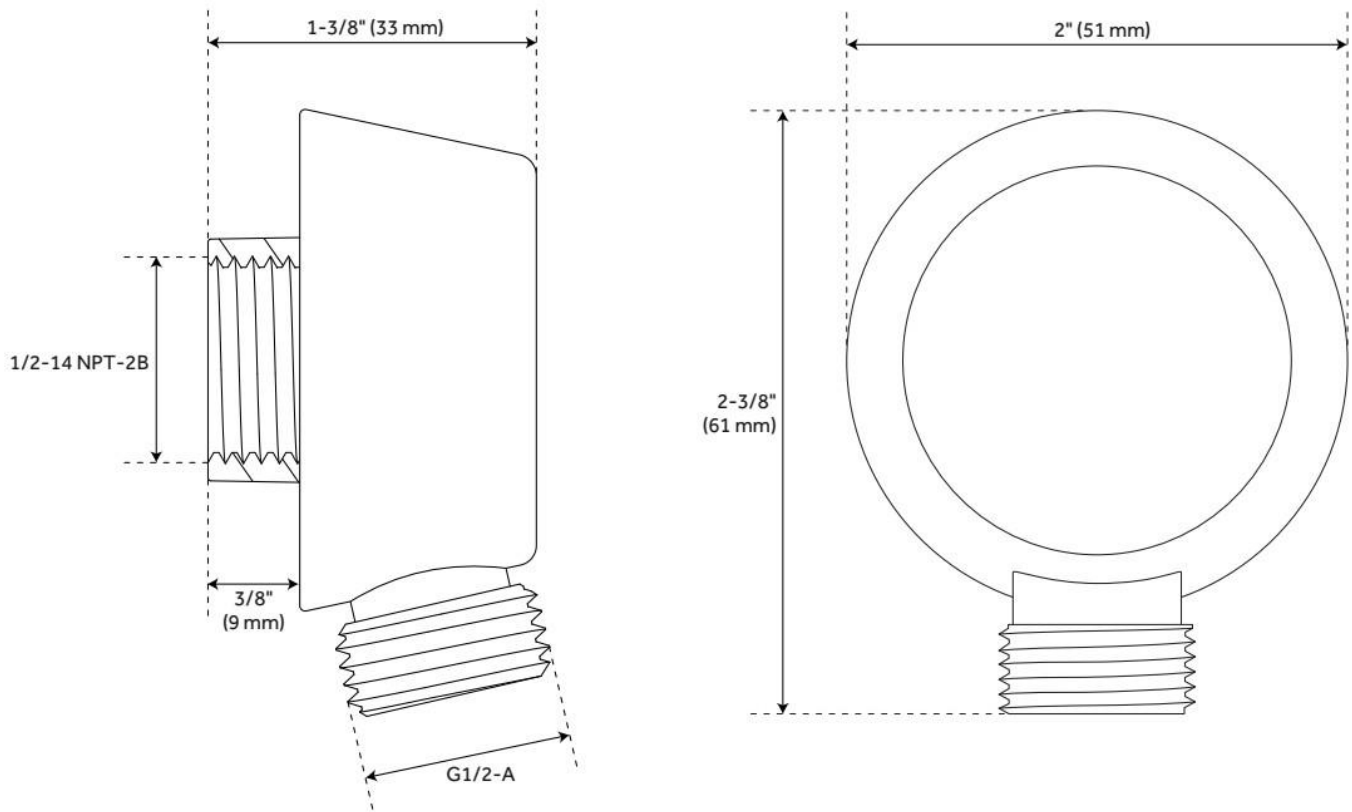
- 1/2" Female wall connection.
- 1/2" Male hose connection.

REVISED 9/17/2024

# CONTEMPORARY ROUND WATER SUPPLY ELBOW FOR HAND SHOWER

SKU: 932365

Code: SHWE2040, SH484207, SH485502



REVISED 9/17/2024

# CONTEMPORARY TUBULAR HAND SHOWER

SKU: 948923

Code: SHHS4030G, SH488912



## FEATURES

Material: ABS

Hand Shower Spray: Full

Hand Shower Flow Rate: 1.8 gpm (6.8 L/min) @ 80 psi

ASME A112.18.1/CSA B125.1, CEC Listed, WaterSense by IAPMO, Massachusetts Accepted, LISTED ID: SHHS4030G\*



## ADDITIONAL FEATURES

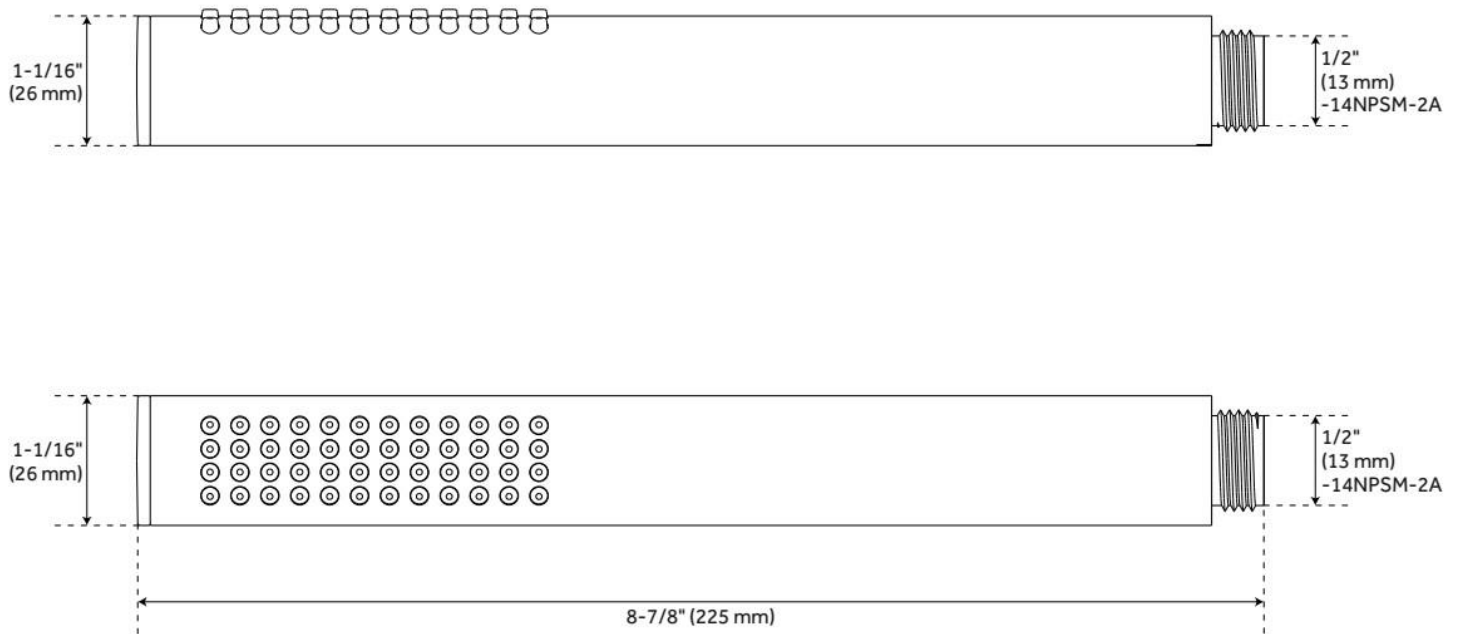
- Single function hand shower.
- Easy-clean spray nozzles.
- Factory installed backflow prevention check valve.
- Hose sold separately.

REVISED 9/17/2024

# CONTEMPORARY TUBULAR HAND SHOWER

SKU: 948923

Code: SHHS4030G, SH488912



REVISED 9/17/2024

# 60" METAL HAND SHOWER HOSE

SKU: 948088  
Code: SHH1010

## FEATURES

Connection Type: 1/2" IPS



ASME A112.18.1/CSA B125.1, Massachusetts Accepted, LISTED ID: SHH1010\*



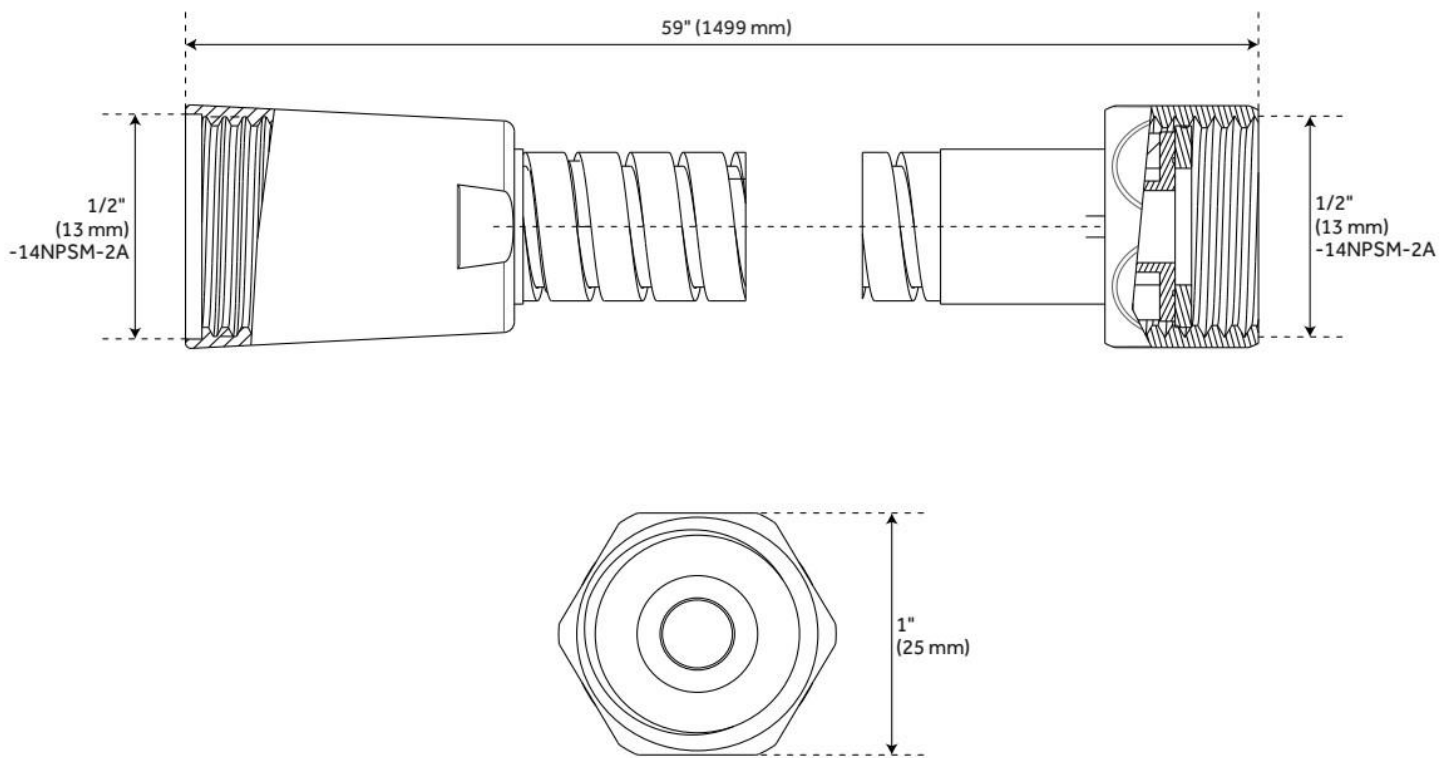
## ADDITIONAL FEATURES

- Hand Sprayer sold seperately.
- 60" - 72" stretchable metal shower hose.
- Double spiral constructed hose.

REVISED 9/17/2024

# 60" METAL HAND SHOWER HOSE

SKU: 948088  
Code: SHH1010



REVISED 9/17/2024

# 3-WAY IN-WALL DIVERTER ROUGH-IN VALVE - 3/4"

SKU: 446519  
Code: SH6103

## FEATURES

Material: Brass  
Cartridge Type: Ceramic Disc



IAPMO, ASME A112.18.1/CSA B125.1, ASME A112.18.2/CSA B125.2, Massachusetts Accepted, LISTED ID: SH6103



## ADDITIONAL FEATURES

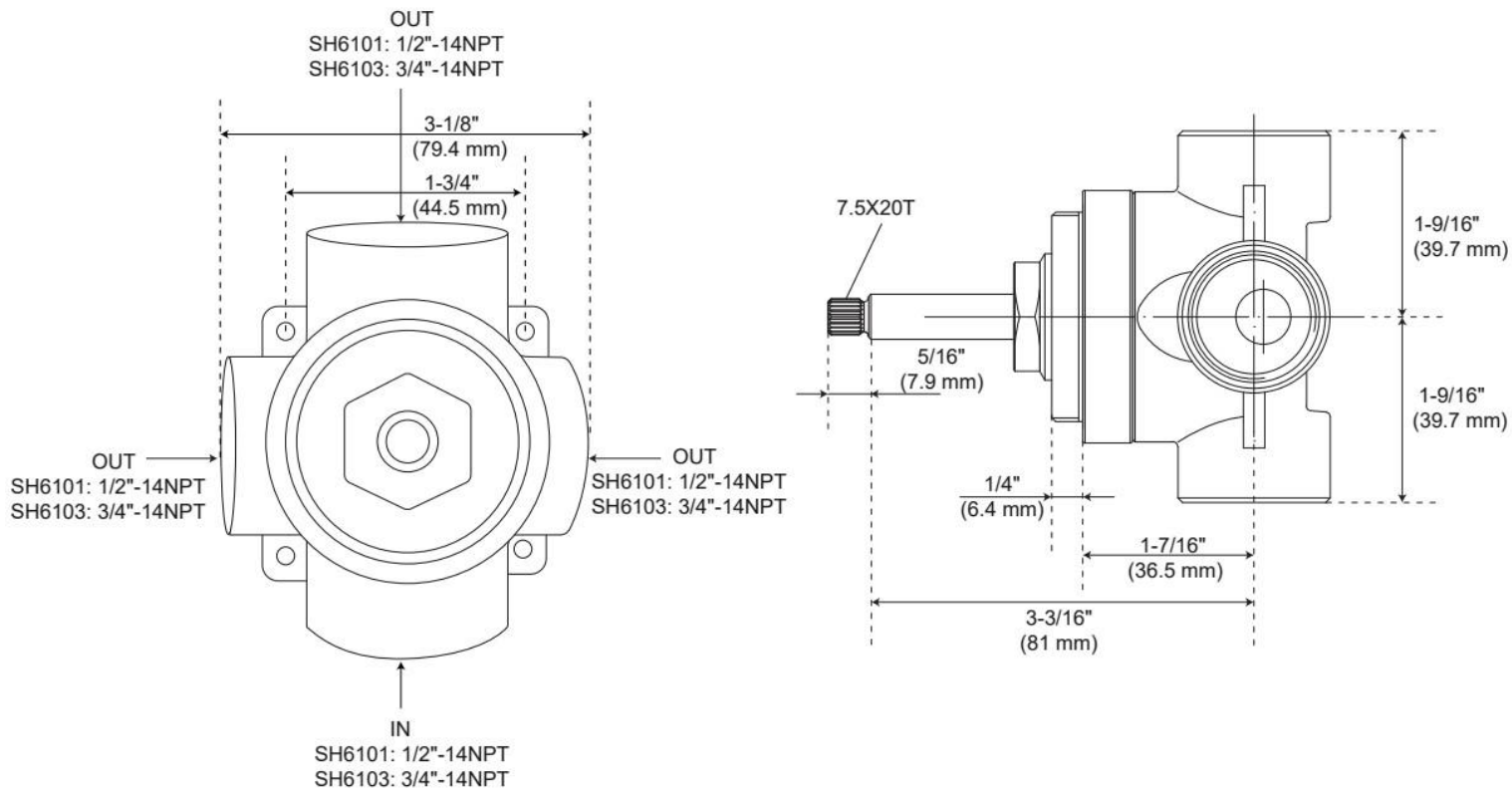
- Six total settings allow for shared water flow between outlets, giving you the ability to use two functions at once.
- Ceramic cartridge.
- Available Single-Function Diverter Valve Cartridge restricts water flow to one outlet at a time.
- Not intended as a shut off valve.
- For installations only requiring 2 outlets, the 3rd outlet may be looped into one of the existing pipes.
- Compatible with Beasley, Berwyn, Boca Raton, Drea, Edenton, Elita, Greyfield, Gunther, Hibiscus, Key West, Lentz, Lexia, Pendleton, Pinecrest, Provincetown, Rigi, Sefina, Vassor and Vilamonte Diverter Trims.

REVISED 9/17/2024



# 3-WAY IN-WALL DIVERTER ROUGH-IN VALVE - 3/4"

SKU: 446519  
Code: SH6103



REVISED 10/11/2024

# VOLUME CONTROL ROUGH-IN VALVE

SKU: 948546

Code: SH6020, SH6040



ASME A112.18.1/CSA B125.1, Massachusetts Accepted, LISTED ID: SH6020, SH6040



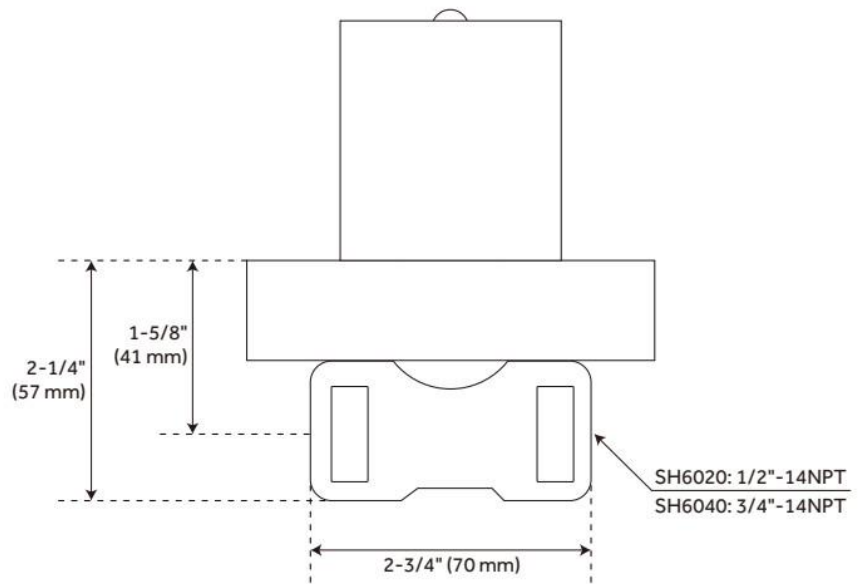
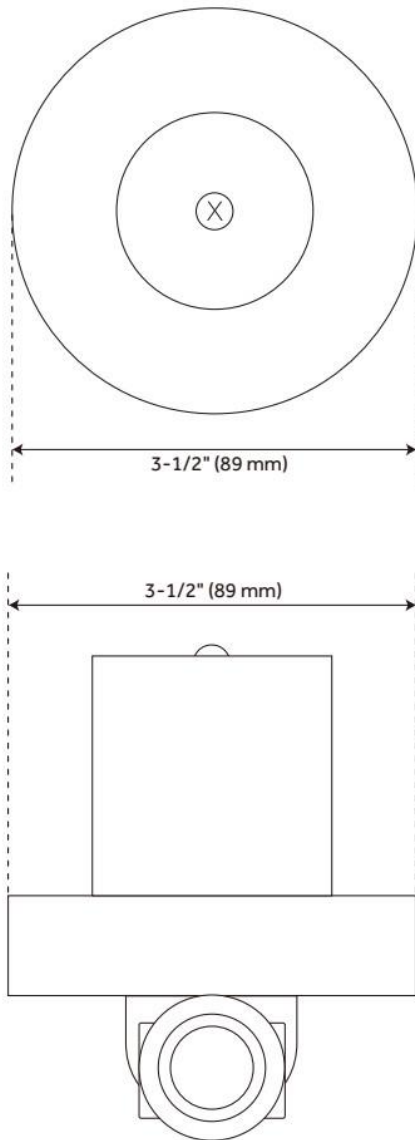
## ADDITIONAL FEATURES

- Intended for use with a thermostatic valve and trim.
- Bronze valve body.
- Ceramic cartridge.
- Compatible with Beasley, Berwyn, Boca Raton, Drea, Edenton, Elita, Greyfield, Gunther, Hibiscus, Key West, Lentz, Lexia, Pendleton, Pinecrest, Provincetown, Rigi, Sefina, Vassor and Vilamonte Volume Control Trims.

REVISED 11/22/2024

# VOLUME CONTROL ROUGH-IN VALVE

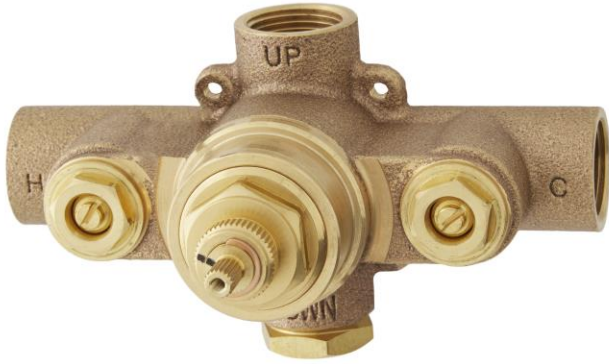
SKU: 948546  
Code: SH6020, SH6040



REVISED 11/22/2024

# THERMOSTATIC ROUGH-IN VALVE - 3/4" CONNECTION

SKU: 447694  
Code: SH6006



## FEATURES

Material: Bronze  
Flow Rate: 18.2 gpm (68.9 L/min) @ 80 psi  
Connection Type: 3/4" NPT  
Cartridge Type: Thermostatic

IAPMO, ASME A112.18.1/CSA B125.1, Massachusetts Accepted, LISTED ID: SH6006



## ADDITIONAL FEATURES

- Compatible with Beasley, Berwyn, Boca Raton, Drea, Edenton, Elita, Greyfield, Gunther, Hibiscus, Key West, Lentz, Lexia, Pendleton, Pinecrest, Provincetown, Rigi, Sefina, Vassor and Vilamonte Thermostatic Valve Trim.
- For proper installation, requires use of volume control valve and trim.
- Bronze valve body.
- Factory-calibrated comfort setting at 104 degrees Fahrenheit.
- Water inlet stops and check valve.
- Thermostatic technology keeps shower temperature  $\pm 1$  degree Celsius.

REVISED 9/17/2024