

ELITA THERMOSTATIC SHOWER VALVE TRIM - CROSS HANDLE

SKU: 955136-C

Code: SHEL441013, SHEL441015, SH6004, SH6006



FEATURES

Material: Metal

Cartridge Type: Ceramic Disc

Required for Installation: Rough-in valves: SH6006 or SH6004

ASME A112.18.1/CSA B125.1, CALGreen, Massachusetts Accepted, LISTED ID: SHEL441013*, SHEL441015*, SH6004, SH6006



ADDITIONAL FEATURES

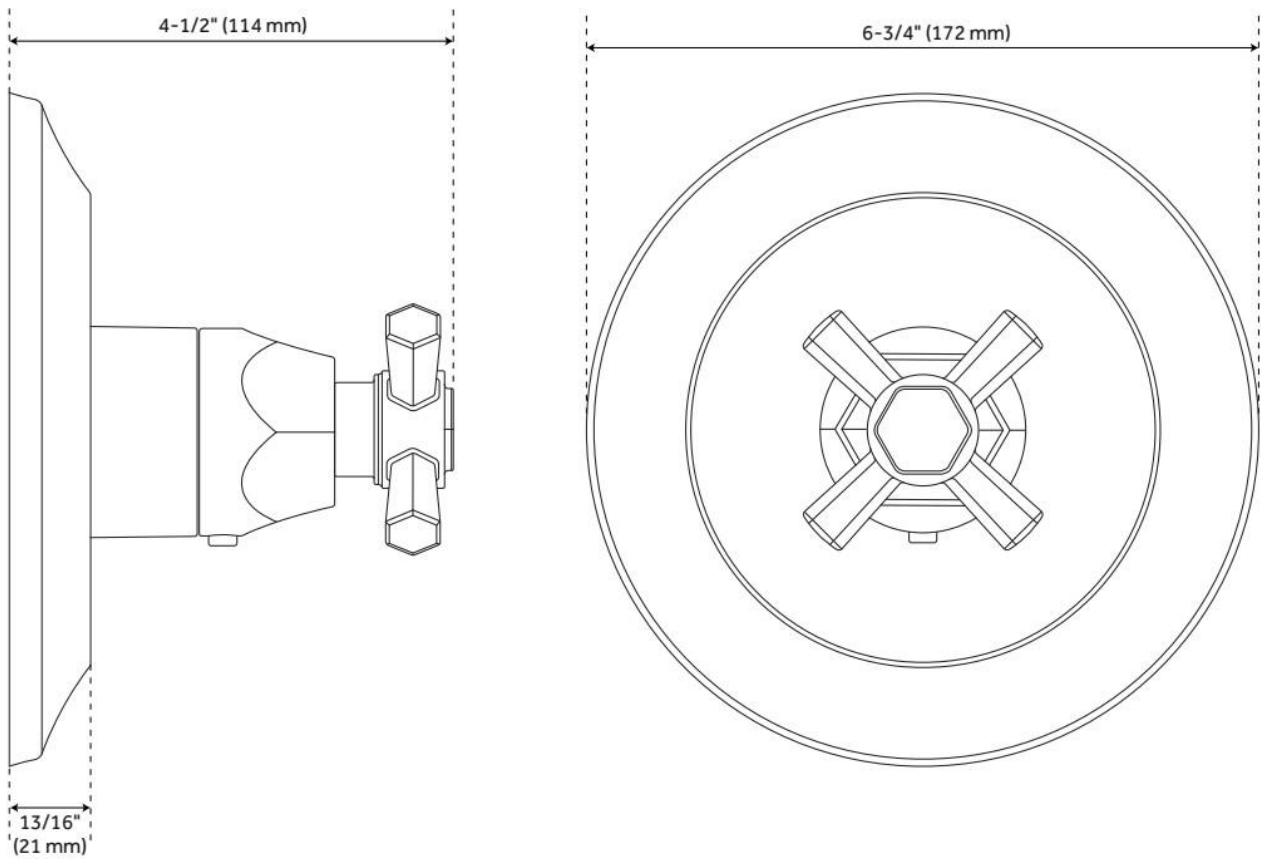
- Metal handle.
- Temperature outlet factory preset to 104 degrees Fahrenheit.
- Temperature can be easily adjusted up and down to user's comfort level.
- Scald guard protection.
- High temperature limit stop.
- Thermostatic technology keeps shower temperature within 1 degree Celsius.
- For proper installation, requires use of volume control valve and trim.

REVISED 10/30/2024

ELITA THERMOSTATIC SHOWER VALVE TRIM - CROSS HANDLE

SKU: 955136-C

Code: SHEL441013, SHEL441015, SH6004, SH6006



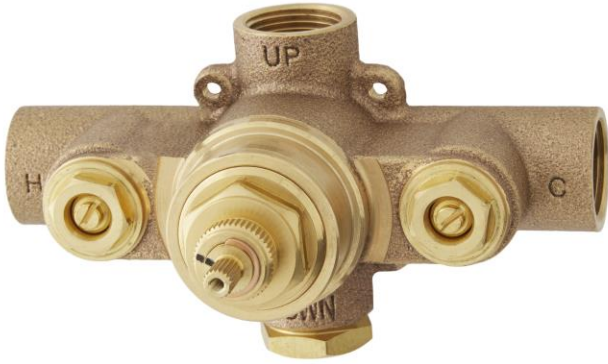
REVISED 10/30/2024

THERMOSTATIC ROUGH-IN SHOWER VALVE

SKU: 948545
Code: SH6004, SH6006

FEATURES

Cartridge Type: Thermostatic



ASME A112.18.1/CSA B125.1, Massachusetts Accepted, LISTED ID: SH6004, SH6006



ADDITIONAL FEATURES

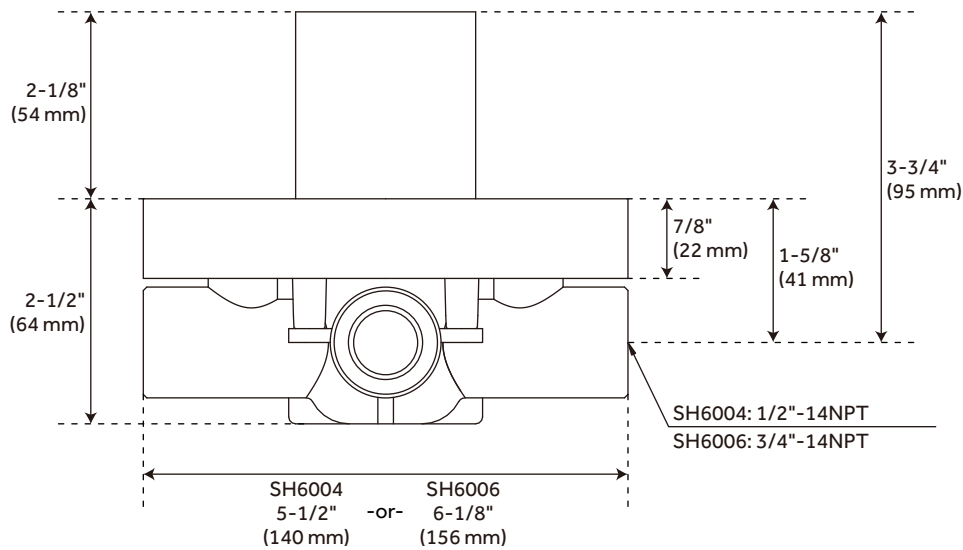
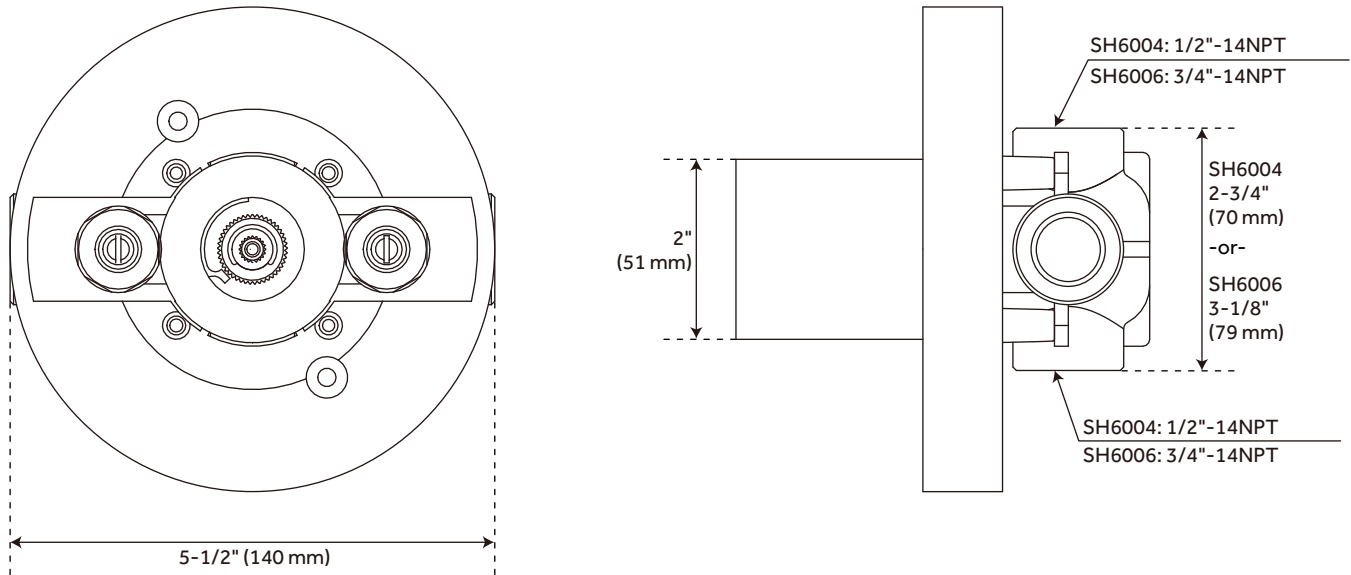
- Compatible with Beasley, Berwyn, Boca Raton, Drea, Edenton, Elita, Greyfield, Gunther, Hibiscus, Key West, Lentz, Lexia, Pendleton, Pinecrest, Provincetown, Rigi, Sefina, Vassor and Vilamonte Thermostatic Valve Trim.
- For proper installation, requires use of volume control valve and trim.
- Bronze valve body.
- Factory-calibrated comfort setting at 104 degrees Fahrenheit.
- Water inlet stops and check valve.
- Thermostatic technology keeps shower temperature ± 1 degree Celsius.

REVISED 6/3/2024

GREYFIELD OPTIONAL THERMOSTATIC VALVE WITH 1/2" -OR- 3/4" CONNECTION

SKU: 948556

SH6004, SH6006



All dimensions and specifications are nominal and may vary. Use actual products for accuracy in critical situations.