

# ELITA 4-HOLE ROMAN TUB FAUCET AND HAND SHOWER - CROSS HANDLES

SKU: 955138-C

Code: SHEL441012, SHEL449004, SH674164



## FEATURES

Material: Metal construction for strength and durability

Faucet Centers: 8"-16"

Installation Type: Deck Mount

Hand Shower Flow Rate: 1.75 gpm (6.6 L/min) @ 80 psi

Spray Type: Full, Massage, Massage + Full

Cartridge Type: Ceramic Disc

Swivel Spout: No

Required for Installation: Rough-in valve: SH674164

ASME A112.18.1/CSA B125.1, CEC Listed, CALGreen, WaterSense by IAPMO, Massachusetts Accepted, LISTED ID: SHEL449004\*, SHEL441012\*, SH674164



## ADDITIONAL FEATURES

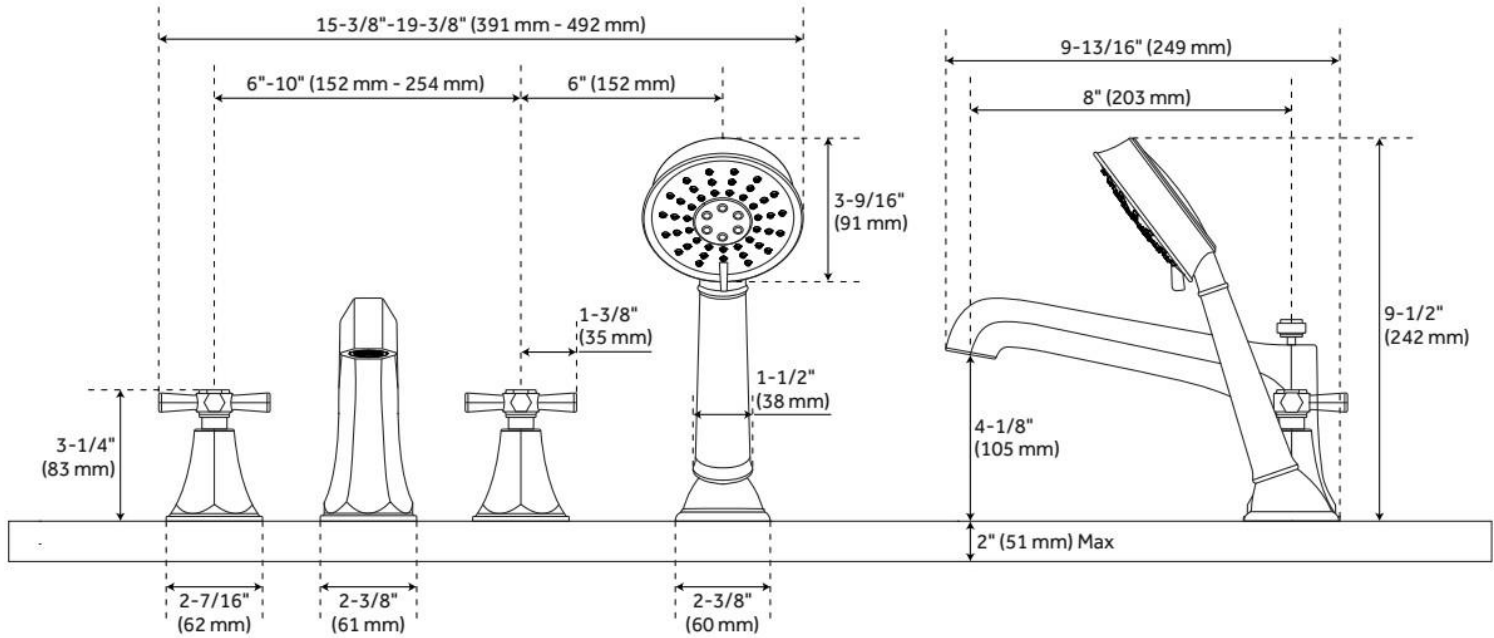
- 4-hole installation.
- Spout max. flow rate: 14.5 gpm (54.9 L/min) max @ 80 psi.
- Hand shower max. flow rate: 1.75 gpm (6.6 L/min) @ 80 psi.
- Lift rod diverter to handshower.
- Handshower includes factory installed backflow prevention check valve.
- Optional rough-in valve:
  - Brass coupling nut.
  - Accommodates an 8" - 16" faucet's spread.
  - Deck thickness max. 2".

REVISED 11/11/2024

# ELITA 4-HOLE ROMAN TUB FAUCET AND HAND SHOWER - CROSS HANDLES

SKU: 955138-C

Code: SHEL441012, SHEL449004, SH674164



REVISED 10/30/2024

# 4-HOLE ROMAN TUB FAUCET ROUGH-IN VALVE

SKU: 448005  
Code: SH674164

## FEATURES

Faucet Centers: 8"  
Installation Type: Deck Mount



ASME A112.18.1/CSA B125.1, Massachusetts Accepted, LISTED ID: SH674164



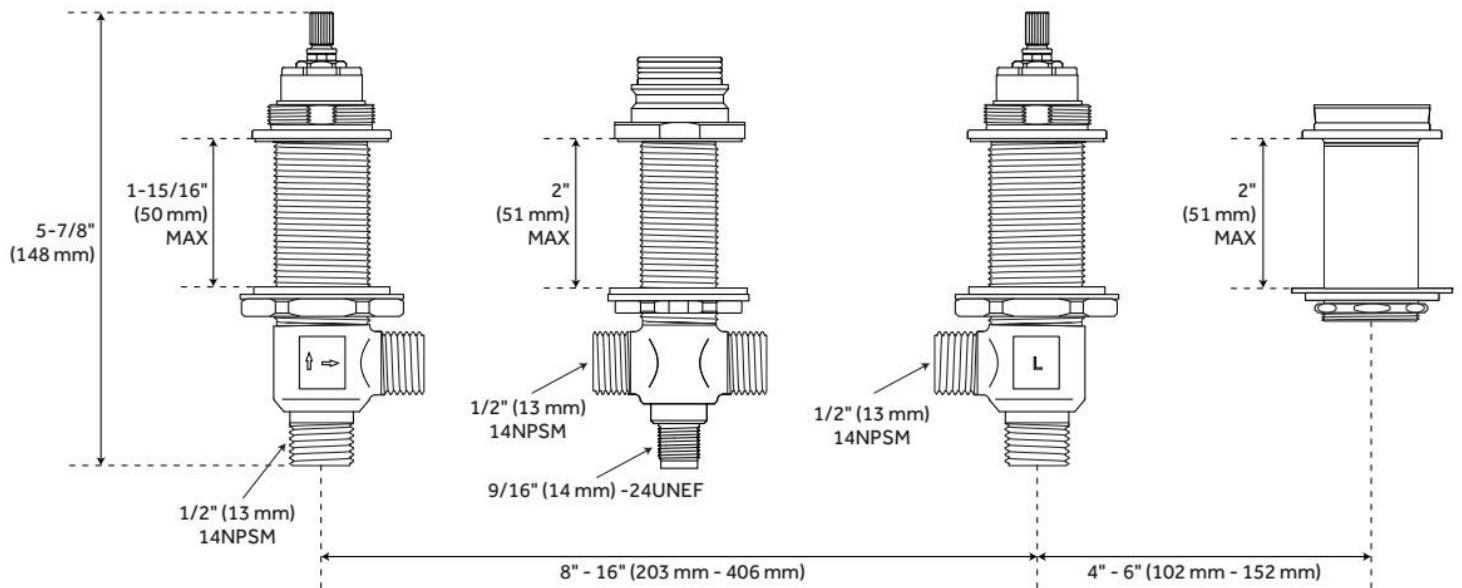
## ADDITIONAL FEATURES

- Compatible with Beasley, Berwyn, Boca Raton, Drea, Edenton, Elita, Greyfield, Gunther, Hibiscus, Key West, Lentz, Lexia, Pendleton, Pinecrest, Provincetown, Rigi, Sefina, Vassor and Vilamonte 4-Hole Roman Tub Faucets.
- 4-Hole Installation.
- Brass coupling nut.
- Faucet can be installed with variable centers from 8" - 16".

REVISED 9/17/2024

# 4-HOLE ROMAN TUB FAUCET ROUGH-IN VALVE

SKU: 448005  
Code: SH674164



REVISED 9/17/2024