

# ELITA THERMOSTATIC SHOWER SYSTEM WITH DUAL SHOWERHEADS AND HAND SHOWER - LEVER

SKU: 955141-L

Code: SHEL441004, SHEL441005, SHHS4090G, SHH1010, SHEL441016, SHEL441013, SHEL441014, SH6006, SH6040, SHRSB820RG, SHWES2050, SHRSA123, SH6103



## FEATURES

Material: Metal  
Shower Head Swivel: Yes  
Shower Head Spray: Rainfall  
Connection Type: NPT  
Diverter Outlets: 3  
Cartridge Type: Ceramic Disc

ASME A112.18.1/CSA B125.1, ASME A112.18.2/CSA B125.2, CEC Listed, WaterSense by IAPMO, Massachusetts Accepted, LISTED ID: SH6103, SH6006, SH6040, SHRSB820RG\*, SHH1010\*, SHHS4090G\*, SHWES2050xy, SHRSA123\*, SHEL441004\*, SHEL441005\*, SHEL441013\*, SHEL441014\*, SHEL441016\*, SHHS4090G\*\*



## ADDITIONAL FEATURES

- Thermostatic technology keeps shower temperature within 1 degree Celsius.
- Temperature outlet factory calibrated to 104 degrees Fahrenheit and can be easily adjusted up or down to user's comfort level.
- Six total settings allow for shared water flow between outlets, giving you the ability to use two functions at once.
- Metal handles.
- Dual single function shower heads (full spray) with easy-clean silicone nozzles.
- Single function hand shower.
- 60" - 72" stretchable metal shower hose.
- Adjustable angle for hand shower mount.
- Must be installed in accordance with provided installation instructions.
- Recommended valve installation depth 1-5/8" to 2-3/8".
- Included Rough-in valves:
  - Thermostatic rough-in valve features scald guard protection, high temperature limit stop, integral water stops and check valve, a ceramic cartridge, and a bronze valve body.
  - Volume control rough-in valve features a ceramic disc cartridge and brass valve body.
  - Diverter valve features a ceramic disc cartridge and brass valve body. An available Single-Function Diverter valve Cartridge restricts water flow to one outlet at a time.

REVISED 10/30/2024

# ELITA IN-WALL SHOWER DIVERTER TRIM - LEVER HANDLE

SKU: 955085-L

Code: SHEL441004, SHEL441005, SH6103



## FEATURES

Material: Metal

Required for Installation: Requires rough-in valve (SH6103 or SH6101), Handle: SHEL441005 or SHEL441006

Optional Accessory: Extension kit available (SH6101EXT).

CALGreen non-shared position cartridge available (SH6150).

ASME A112.18.1/CSA B125.1, ASME A112.18.2/CSA B125.2, Massachusetts Accepted, LISTED ID: SHEL441004\*, SHEL441005\*, SH6103



## ADDITIONAL FEATURES

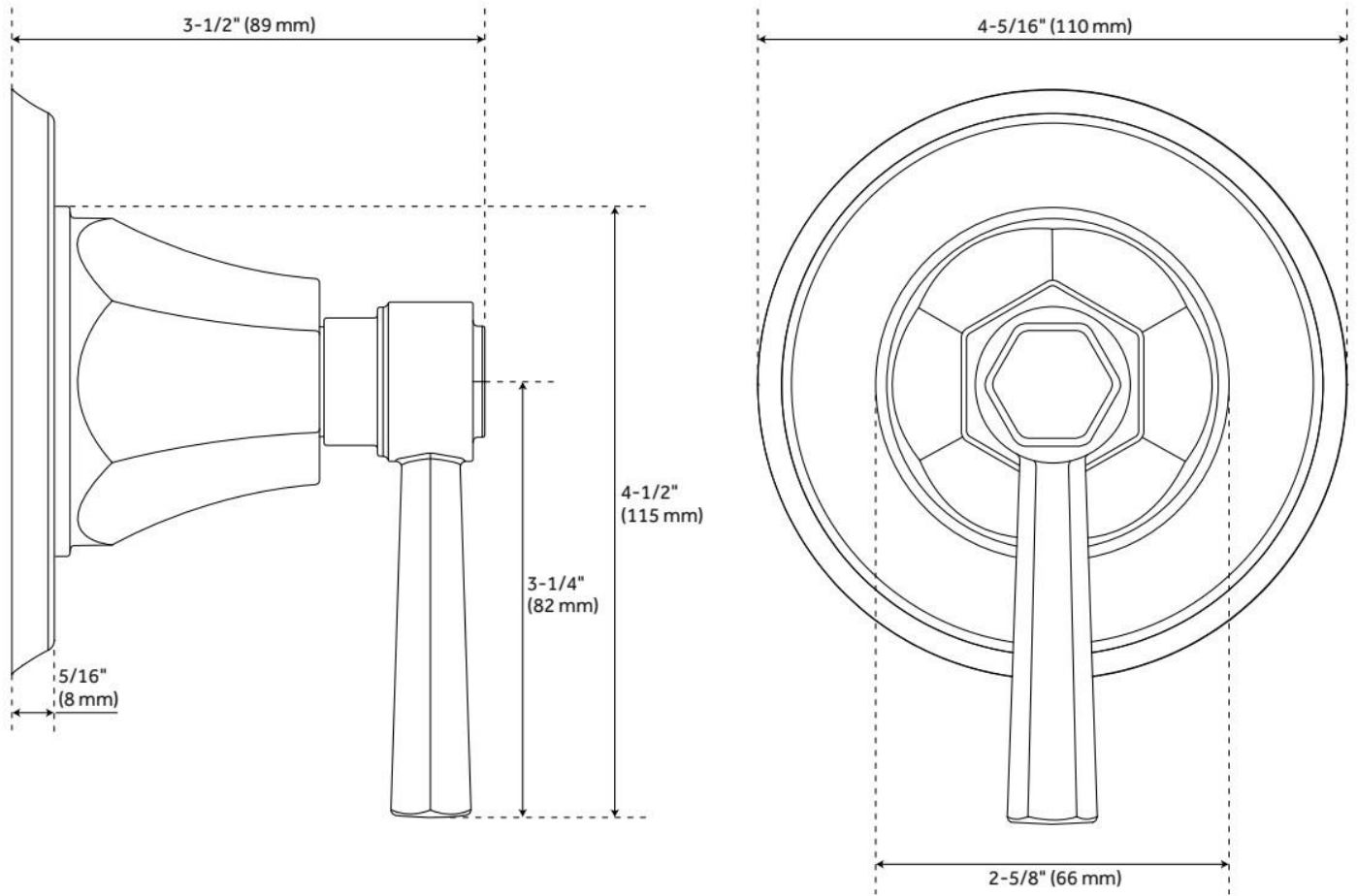
- Metal construction for ultimate strength and durability.
- May purchase with or without valve. Value required for use.
- When purchased with Rough-in Valve:
  - Brass valve body.
  - Ceramic disc cartridge.
  - Not intended as a shut off valve.

REVISED 9/17/2024

# ELITA IN-WALL SHOWER DIVERTER TRIM - LEVER HANDLE

SKU: 955085-L

Code: SHEL441004, SHEL441005, SH6103



REVISED 9/17/2024

# 8" MODERN ROUND RAINFALL SHOWER HEAD - 1.75 GPM

SKU: 948948-18

Code: SHRSB820RG, SH484203, SH485499, SHRSB820RGPB



## FEATURES

Material: ABS

Shower Head Swivel: Yes

Flow Rate: 1.75 gpm (6.6 L/min) @ 80 psi

ASME A112.18.1/CSA B125.1, CEC Listed, WaterSense by IAPMO, Massachusetts Accepted, LISTED ID:  
SHRSB820RG\*

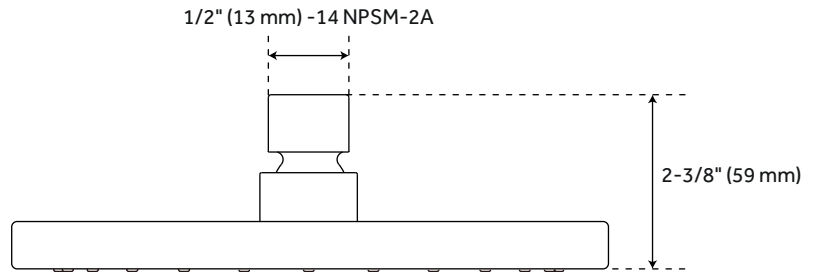
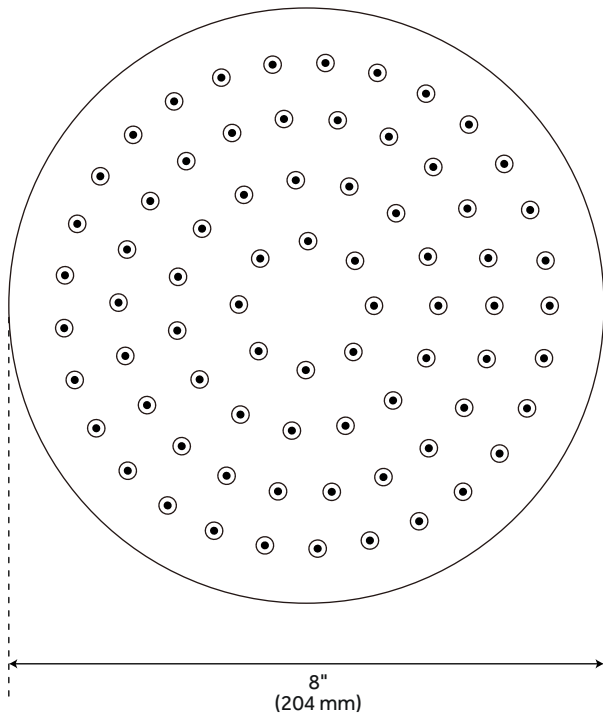


## ADDITIONAL FEATURES

- Single function shower head (full spray).
- Easy clean rubber nozzles.
- Brass ball joint.

REVISED 11/22/2024

# 8" MODERN ROUND RAINFALL SHOWER HEAD - 1.75 GPM



All dimensions and specifications are nominal and may vary. Use actual products for accuracy in critical situations.

# WALL-MOUNT RAINFALL SHOWER ARM

SKU: 948955

Code: SHRSA123, SHRSA181, SH485514, SHRSA150

## FEATURES

Material: Stainless Steel

Connection Type: 1/2" NPT



ASME A112.18.1/CSA B125.1, Massachusetts Accepted, LISTED ID: SHRSA123\*, SHRSA181\*, SHRSA150\*



## ADDITIONAL FEATURES

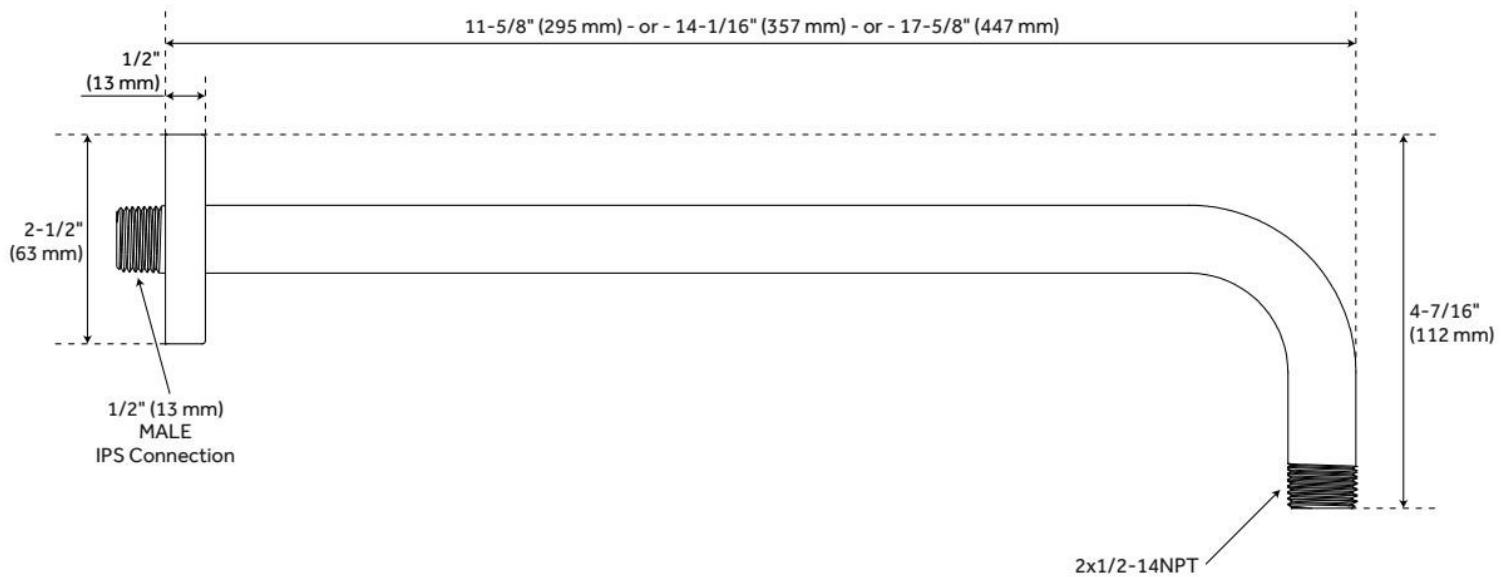
- All dimensions are ( $\pm 1/2"$ ).
- Escutcheon included.

REVISED 9/17/2024

# WALL-MOUNT RAINFALL SHOWER ARM

SKU: 948955

Code: SHRSA123, SHRSA181, SH485514, SHRSA150



REVISED 9/17/2024

# SWIVEL WATER SUPPLY ELBOW AND BRACKET FOR HAND SHOWER

SKU: 948936

Code: SHWES2050, SH485446, SH485535

## FEATURES

Material: Metal, ABS

Connection Type: 1/2" NPT



ASME A112.18.1/CSA B125.1, LISTED ID: SHWES2050xy



## ADDITIONAL FEATURES

- 1/2" Female wall connection.
- 1/2" Male hose connection.
- Brass inlet/outlet, ABS body.

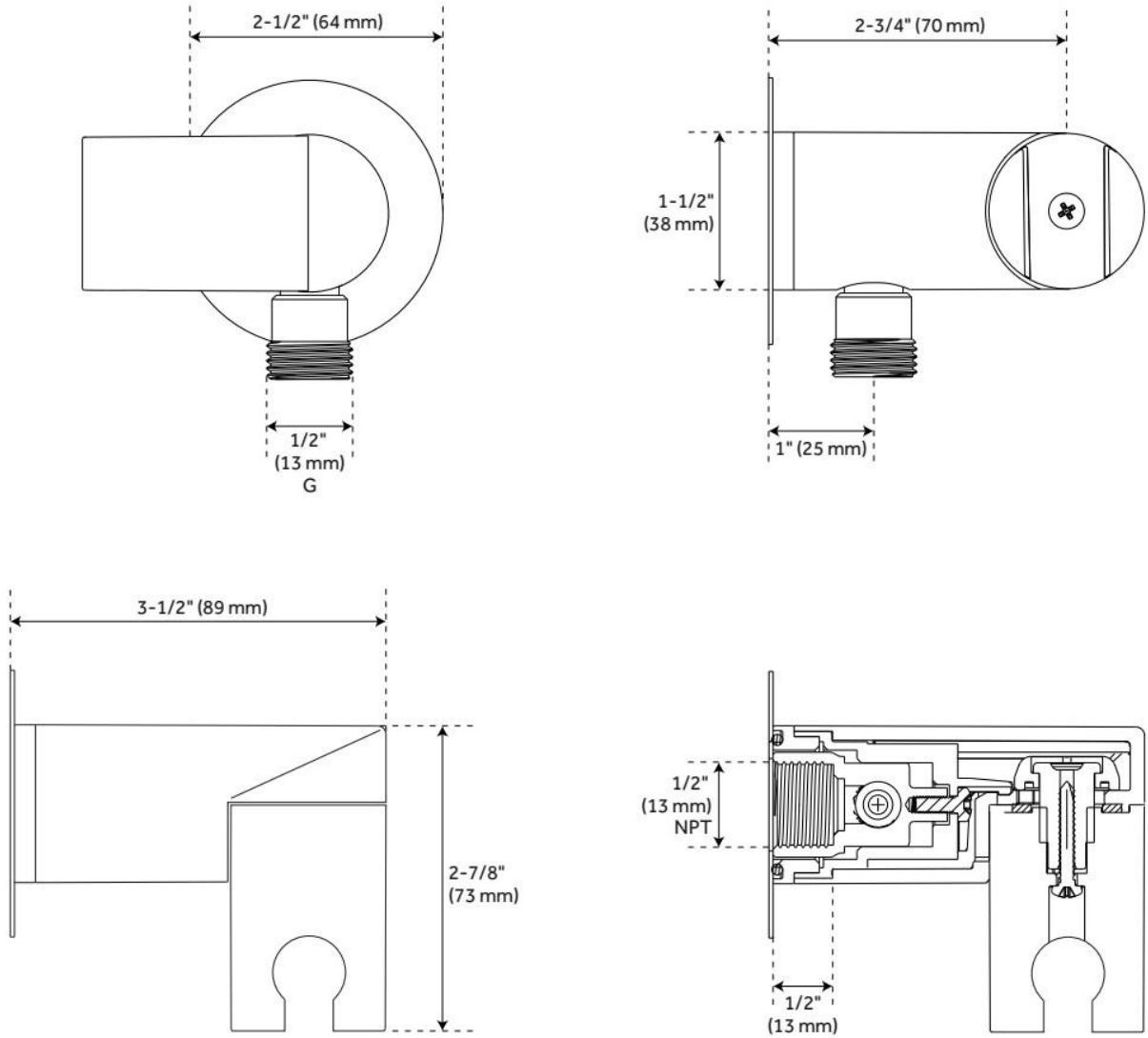
REVISED 9/17/2024



# SWIVEL WATER SUPPLY ELBOW AND BRACKET FOR HAND SHOWER

SKU: 948936

Code: SHWES2050, SH485446, SH485535



REVISED 9/17/2024

# PINECREST HAND SHOWER

SKU: 948929  
Code: SHHS4090G

## FEATURES

Material: ABS

Hand Shower Spray: Full, Massage, Massage + Full

Hand Shower Flow Rate: 1.8 gpm (6.8 L/min) @ 80 psi



ASME A112.18.1/CSA B125.1, CEC Listed, WaterSense by IAPMO, Massachusetts Accepted, LISTED ID: SHHS4090G\*, SHHS4090G\*\*



## ADDITIONAL FEATURES

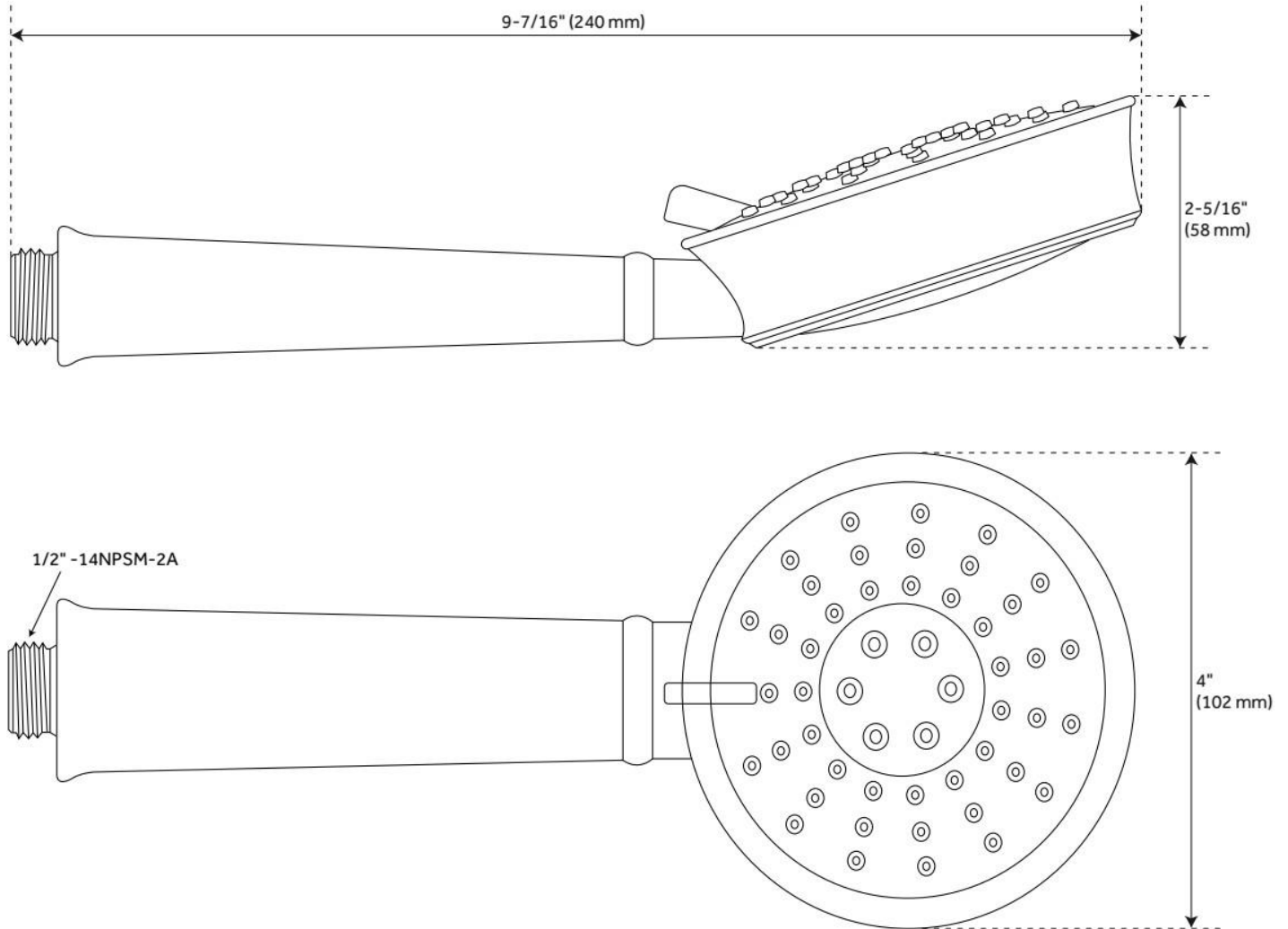
- 3 function hand shower (full spray, massage spray, full & massage spray).
- Easy-clean spray nozzles.
- Factory installed backflow prevention check valve.
- Hose sold separately.

REVISED 9/17/2024

# PINECREST HAND SHOWER

SKU: 948929

Code: SHHS4090G



REVISED 9/17/2024

# 60" METAL HAND SHOWER HOSE

SKU: 948088  
Code: SHH1010

## FEATURES

Connection Type: 1/2" IPS



ASME A112.18.1/CSA B125.1, Massachusetts Accepted, LISTED ID: SHH1010\*



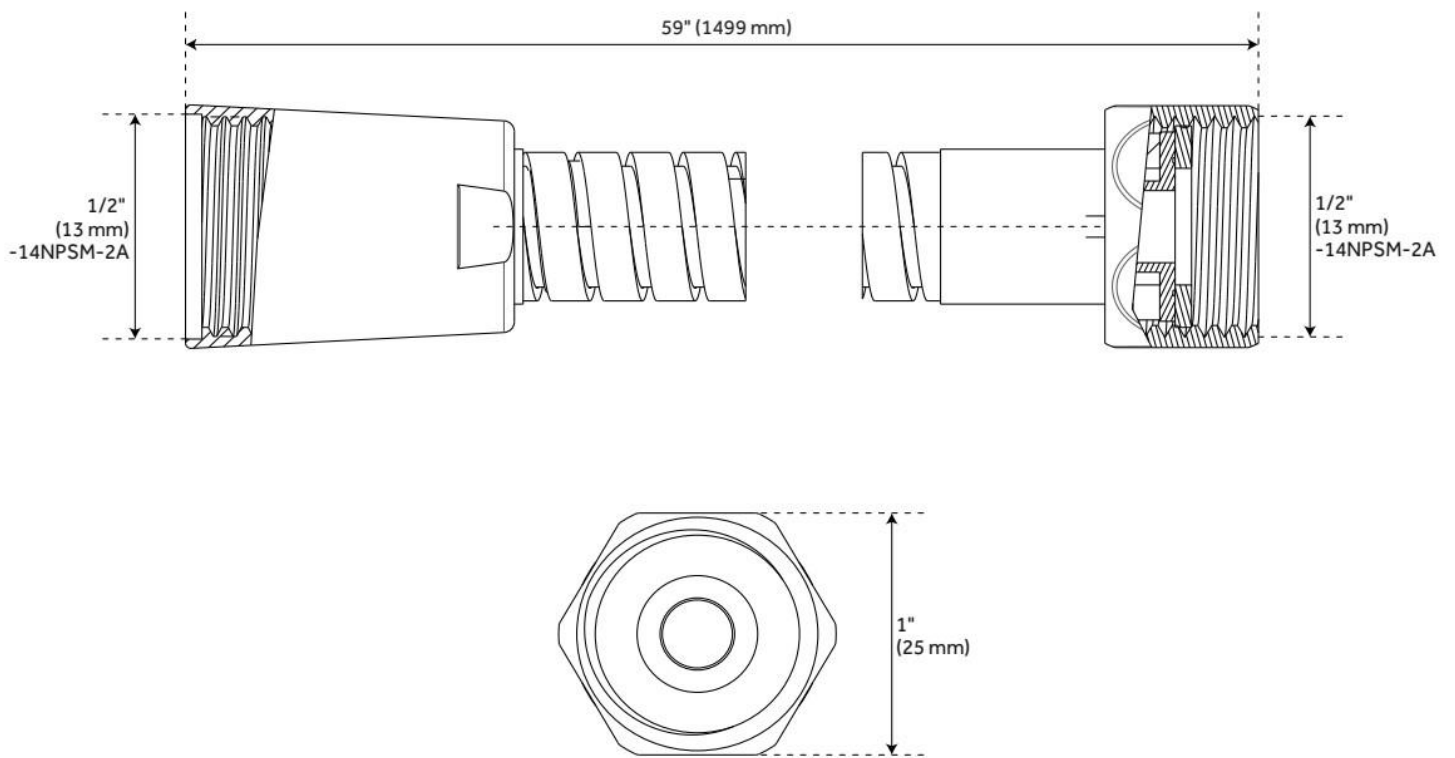
## ADDITIONAL FEATURES

- Hand Sprayer sold seperately.
- 60" - 72" stretchable metal shower hose.
- Double spiral constructed hose.

REVISED 9/17/2024

# 60" METAL HAND SHOWER HOSE

SKU: 948088  
Code: SHH1010



REVISED 9/17/2024

# 3-WAY IN-WALL DIVERTER ROUGH-IN VALVE - 3/4"

SKU: 446519  
Code: SH6103

## FEATURES

Material: Brass  
Cartridge Type: Ceramic Disc



IAPMO, ASME A112.18.1/CSA B125.1, ASME A112.18.2/CSA B125.2, Massachusetts Accepted, LISTED ID: SH6103



## ADDITIONAL FEATURES

- Six total settings allow for shared water flow between outlets, giving you the ability to use two functions at once.
- Ceramic cartridge.
- Available Single-Function Diverter Valve Cartridge restricts water flow to one outlet at a time.
- Not intended as a shut off valve.
- For installations only requiring 2 outlets, the 3rd outlet may be looped into one of the existing pipes.
- Compatible with Beasley, Berwyn, Boca Raton, Drea, Edenton, Elita, Greyfield, Gunther, Hibiscus, Key West, Lentz, Lexia, Pendleton, Pinecrest, Provincetown, Rigi, Sefina, Vassor and Vilamonte Diverter Trims.

REVISED 9/17/2024



# VOLUME CONTROL ROUGH-IN VALVE

SKU: 948546

Code: SH6020, SH6040



ASME A112.18.1/CSA B125.1, Massachusetts Accepted, LISTED ID: SH6020, SH6040



## ADDITIONAL FEATURES

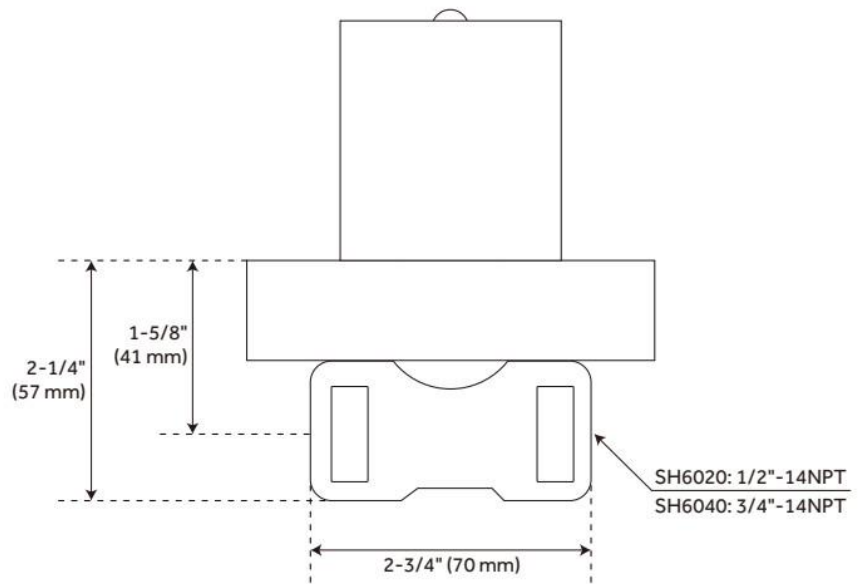
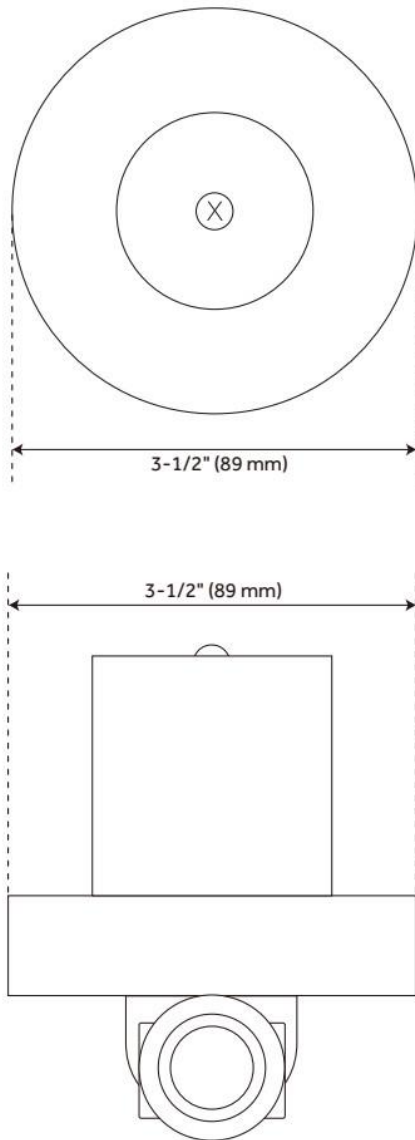
- Intended for use with a thermostatic valve and trim.
- Bronze valve body.
- Ceramic cartridge.
- Compatible with Beasley, Berwyn, Boca Raton, Drea, Edenton, Elita, Greyfield, Gunther, Hibiscus, Key West, Lentz, Lexia, Pendleton, Pinecrest, Provincetown, Rigi, Sefina, Vassor and Vilamonte Volume Control Trims.

REVISED 11/22/2024



# VOLUME CONTROL ROUGH-IN VALVE

SKU: 948546  
Code: SH6020, SH6040



REVISED 11/22/2024

# THERMOSTATIC ROUGH-IN VALVE - 3/4" CONNECTION

SKU: 447694  
Code: SH6006



## FEATURES

Material: Bronze  
Flow Rate: 18.2 gpm (68.9 L/min) @ 80 psi  
Connection Type: 3/4" NPT  
Cartridge Type: Thermostatic

IAPMO, ASME A112.18.1/CSA B125.1, Massachusetts Accepted, LISTED ID: SH6006



## ADDITIONAL FEATURES

- Compatible with Beasley, Berwyn, Boca Raton, Drea, Edenton, Elita, Greyfield, Gunther, Hibiscus, Key West, Lentz, Lexia, Pendleton, Pinecrest, Provincetown, Rigi, Sefina, Vassor and Vilamonte Thermostatic Valve Trim.
- For proper installation, requires use of volume control valve and trim.
- Bronze valve body.
- Factory-calibrated comfort setting at 104 degrees Fahrenheit.
- Water inlet stops and check valve.
- Thermostatic technology keeps shower temperature  $\pm 1$  degree Celsius.

REVISED 9/17/2024