

ELITA THERMOSTATIC SHOWER SYSTEM - 3 BODY SPRAYS, SLIDE BAR AND HAND SHOWER - CROSS

SKU: 955145-C

Code: SHEL441004, SHEL441006, SHHS4090G, SHH1010, SHEL441016, SHEL441013, SHEL441015, SH6006, SH6040, SHBS6010E, SHRSB820RG, SHSB3010, SHWE2040, SHRSA123, SH6103



FEATURES

Material: Metal
Shower Head Swivel: Yes
Shower Head Spray: Rainfall
Connection Type: NPT
Diverter Outlets: 3
Cartridge Type: Ceramic Disc

ASME A112.18.1/CSA B125.1, ASME A112.18.2/CSA B125.2, CEC Listed, WaterSense by IAPMO, Massachusetts Accepted, LISTED ID: SH6103, SH6006, SH6040, SHBS6010E**, SHRSB820RG*, SHH1010*, SHWE2040*, SHHS4090G*, SHRSA123*, SHEL441004*, SHEL441006*, SHEL441013*, SHEL441015*, SHEL441016*, SHHS4090G**



ADDITIONAL FEATURES

- Thermostatic technology keeps shower temperature within 1 degree Celsius.
- Temperature outlet factory calibrated to 104 degrees Fahrenheit and can be easily adjusted up or down to user's comfort level.
- Six total settings allow for shared water flow between outlets, giving you the ability to use two functions at once.
- Metal handles.
- Single function shower head (full spray) with easy-clean silicone nozzles.
- Single function hand shower.
- 60" - 72" stretchable metal shower hose.
- Adjustable angle for hand shower mount.
- Body spray jet swivels with a 3-9/16" surface area.
- Body spray flow rate: 2.5 gpm (9.5L/min) max @ 80 psi.
- Must be installed in accordance with provided installation instructions.
- Recommended valve installation depth 1-5/8" to 2-3/8"
- Included Rough-in valves:
 - Thermostatic rough-in valve features scald guard protection, high temperature limit stop, integral water stops and check valve, a ceramic cartridge, and a bronze valve body.
 - Volume control rough-in valve features a ceramic disc cartridge and brass valve body.
 - Diverter valve features a ceramic disc cartridge and brass valve body. An available Single-Function Diverter valve Cartridge restricts water flow to one outlet at a time.

REVISED 10/30/2024

8" MODERN ROUND RAINFALL SHOWER HEAD - 1.75 GPM

SKU: 948948-18

Code: SHRSB820RG, SH484203, SH485499, SHRSB820RGPB



FEATURES

Material: ABS

Shower Head Swivel: Yes

Flow Rate: 1.75 gpm (6.6 L/min) @ 80 psi

ASME A112.18.1/CSA B125.1, CEC Listed, WaterSense by IAPMO, Massachusetts Accepted, LISTED ID:
SHRSB820RG*

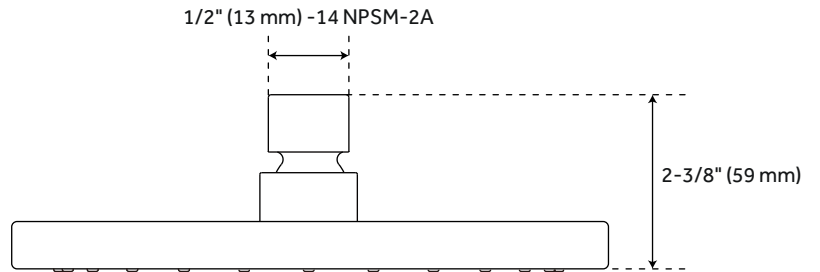
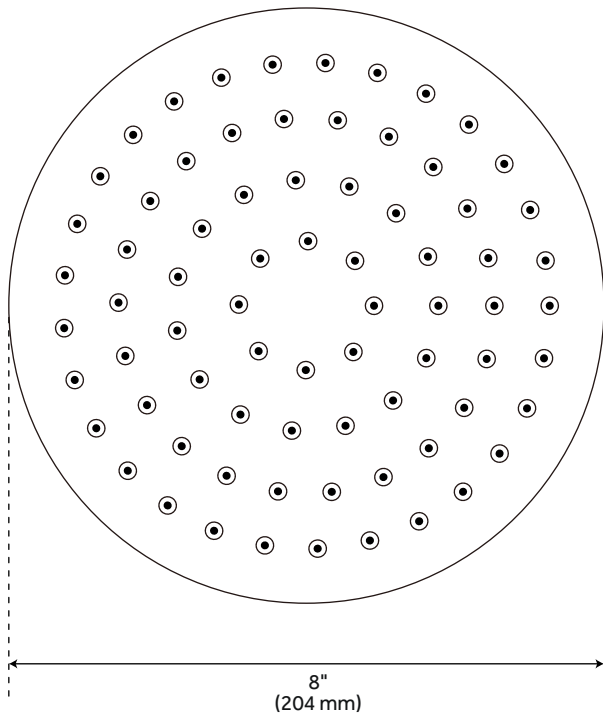


ADDITIONAL FEATURES

- Single function shower head (full spray).
- Easy clean rubber nozzles.
- Brass ball joint.

REVISED 11/22/2024

8" MODERN ROUND RAINFALL SHOWER HEAD - 1.75 GPM



All dimensions and specifications are nominal and may vary. Use actual products for accuracy in critical situations.

ELITA IN-WALL SHOWER DIVERTER TRIM - CROSS HANDLE

SKU: 955085-C

Code: SHEL441004, SHEL441006, SH6103



FEATURES

Material: Metal

Required for Installation: Requires rough-in valve (SH6103 or SH6101), Handle: SHEL441005 or SHEL441006

Optional Accessory: Extension kit available (SH6101EXT).

CALGreen non-shared position cartridge available (SH6150).

ASME A112.18.1/CSA B125.1, ASME A112.18.2/CSA B125.2, Massachusetts Accepted, LISTED ID: SHEL441004*, SHEL441006*, SH6103



ADDITIONAL FEATURES

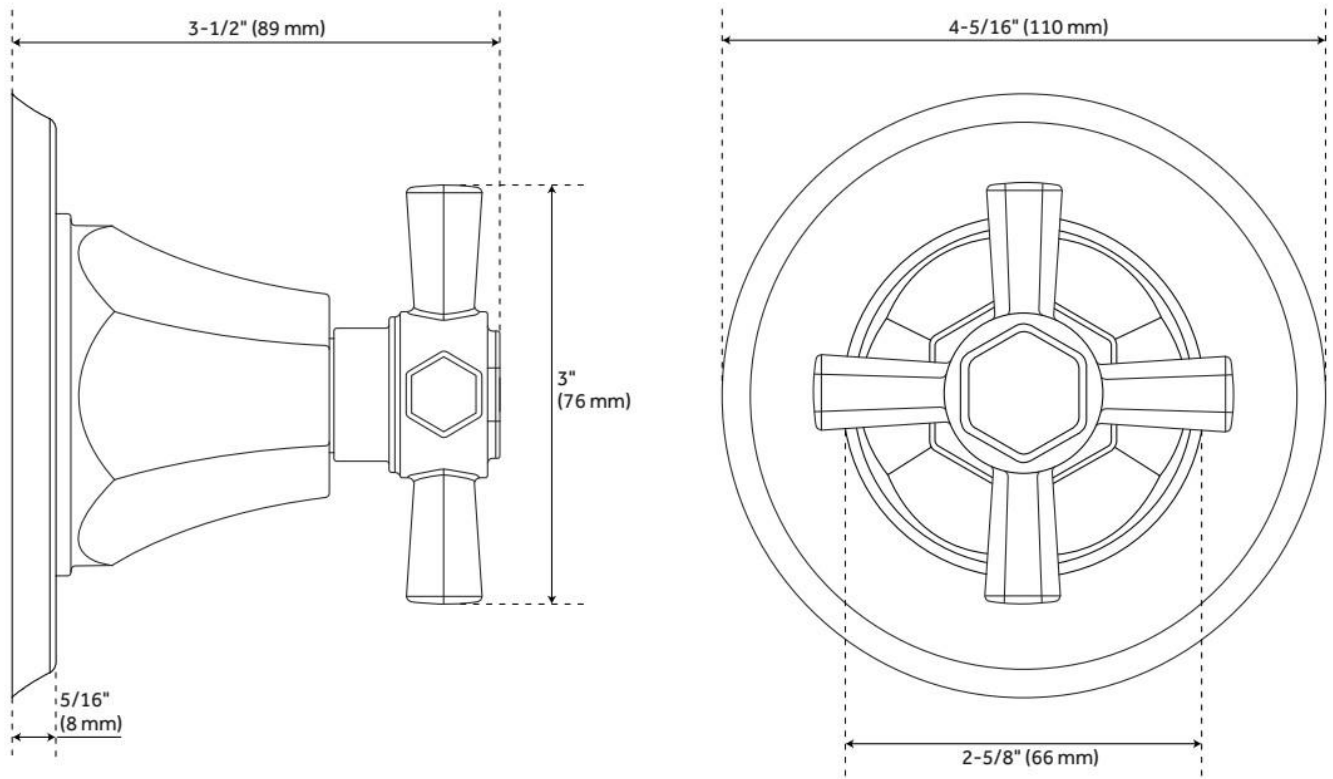
- Metal construction for ultimate strength and durability.
- May purchase with or without valve. Value required for use.
- When purchased with Rough-in Valve:
 - Brass valve body.
 - Ceramic disc cartridge.
 - Not intended as a shut off valve.

REVISED 9/17/2024

ELITA IN-WALL SHOWER DIVERTER TRIM - CROSS HANDLE

SKU: 955085-C

Code: SHEL441004, SHEL441006, SH6103



REVISED 9/17/2024

WALL-MOUNT RAINFALL SHOWER ARM

SKU: 948955

Code: SHRSA123, SHRSA181, SH485514, SHRSA150

FEATURES

Material: Stainless Steel

Connection Type: 1/2" NPT



ASME A112.18.1/CSA B125.1, Massachusetts Accepted, LISTED ID: SHRSA123*, SHRSA181*, SHRSA150*



ADDITIONAL FEATURES

- All dimensions are ($\pm 1/2"$).
- Escutcheon included.

REVISED 9/17/2024

WALL-MOUNT RAINFALL SHOWER ARM

SKU: 948955

Code: SHRSA123, SHRSA181, SH485514, SHRSA150



REVISED 9/17/2024

CONTEMPORARY ROUND WATER SUPPLY ELBOW FOR HAND SHOWER

SKU: 932365

Code: SHWE2040, SH484207, SH485502



FEATURES

Material: Metal

Connection Type: 1/2" NPT

ASME A112.18.1/CSA B125.1, Massachusetts Accepted, LISTED ID: SHWE2040*



ADDITIONAL FEATURES

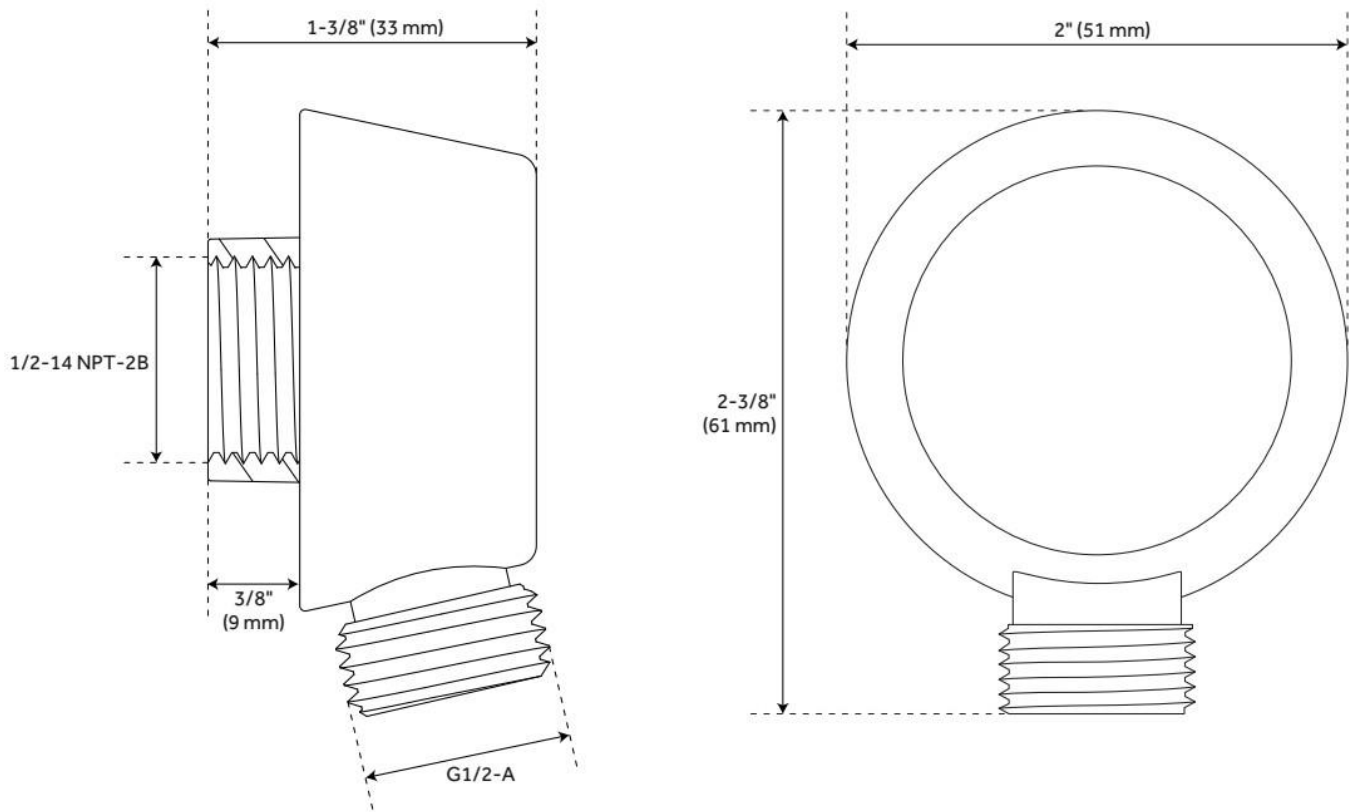
- 1/2" Female wall connection.
- 1/2" Male hose connection.

REVISED 9/17/2024

CONTEMPORARY ROUND WATER SUPPLY ELBOW FOR HAND SHOWER

SKU: 932365

Code: SHWE2040, SH484207, SH485502



REVISED 9/17/2024

30" TRADITIONAL SLIDE BAR FOR HAND SHOWER

SKU: 948916
Code: SHSB3010



FEATURES

Material: Metal

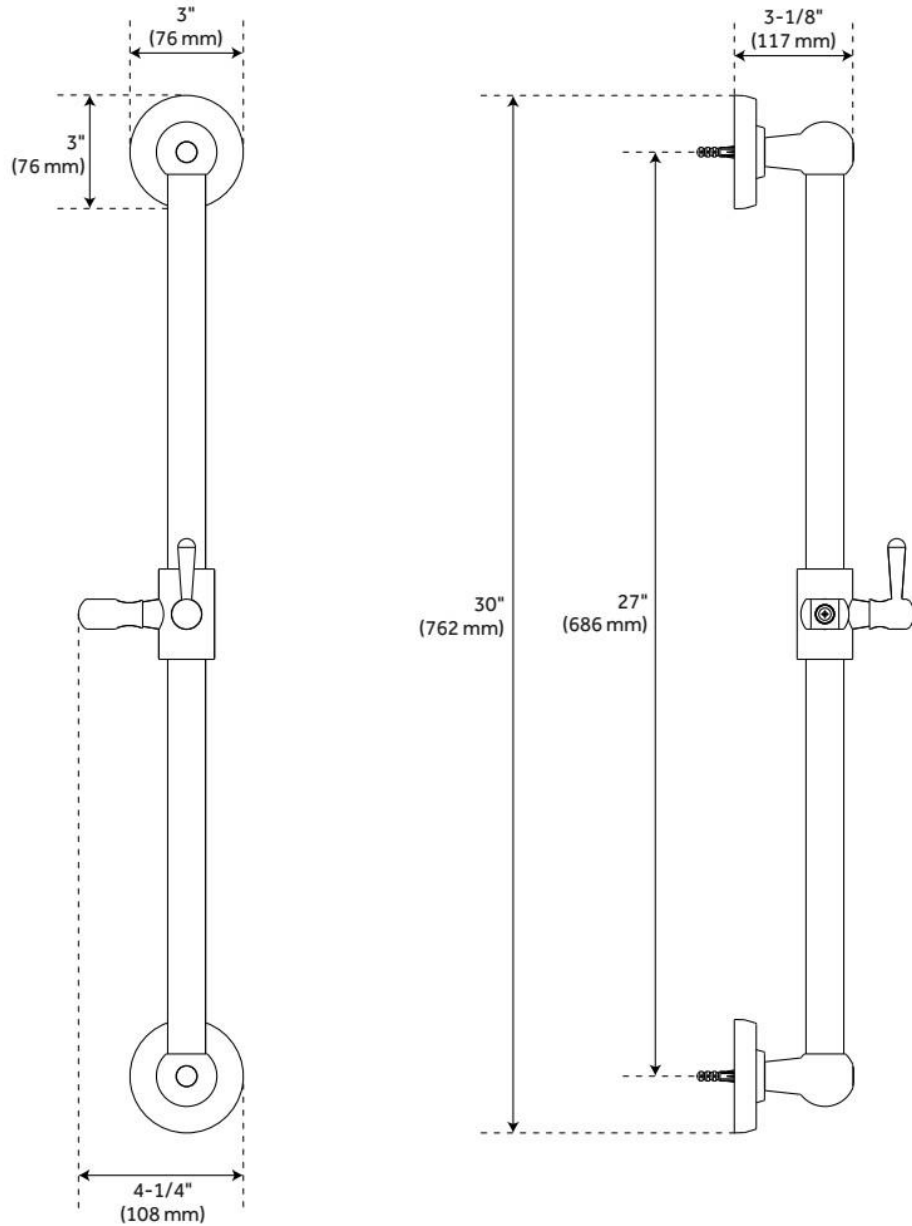
ADDITIONAL FEATURES

- Metal bar and mounting posts.
- Adjustable angle for handshower mount.

REVISED 11/22/2024

30" TRADITIONAL SLIDE BAR FOR HAND SHOWER

SKU: 948916
Code: SHSB3010



REVISED 11/22/2024

PINECREST HAND SHOWER

SKU: 948929
Code: SHHS4090G

FEATURES

Material: ABS

Hand Shower Spray: Full, Massage, Massage + Full

Hand Shower Flow Rate: 1.8 gpm (6.8 L/min) @ 80 psi



ASME A112.18.1/CSA B125.1, CEC Listed, WaterSense by IAPMO, Massachusetts Accepted, LISTED ID: SHHS4090G*, SHHS4090G**



ADDITIONAL FEATURES

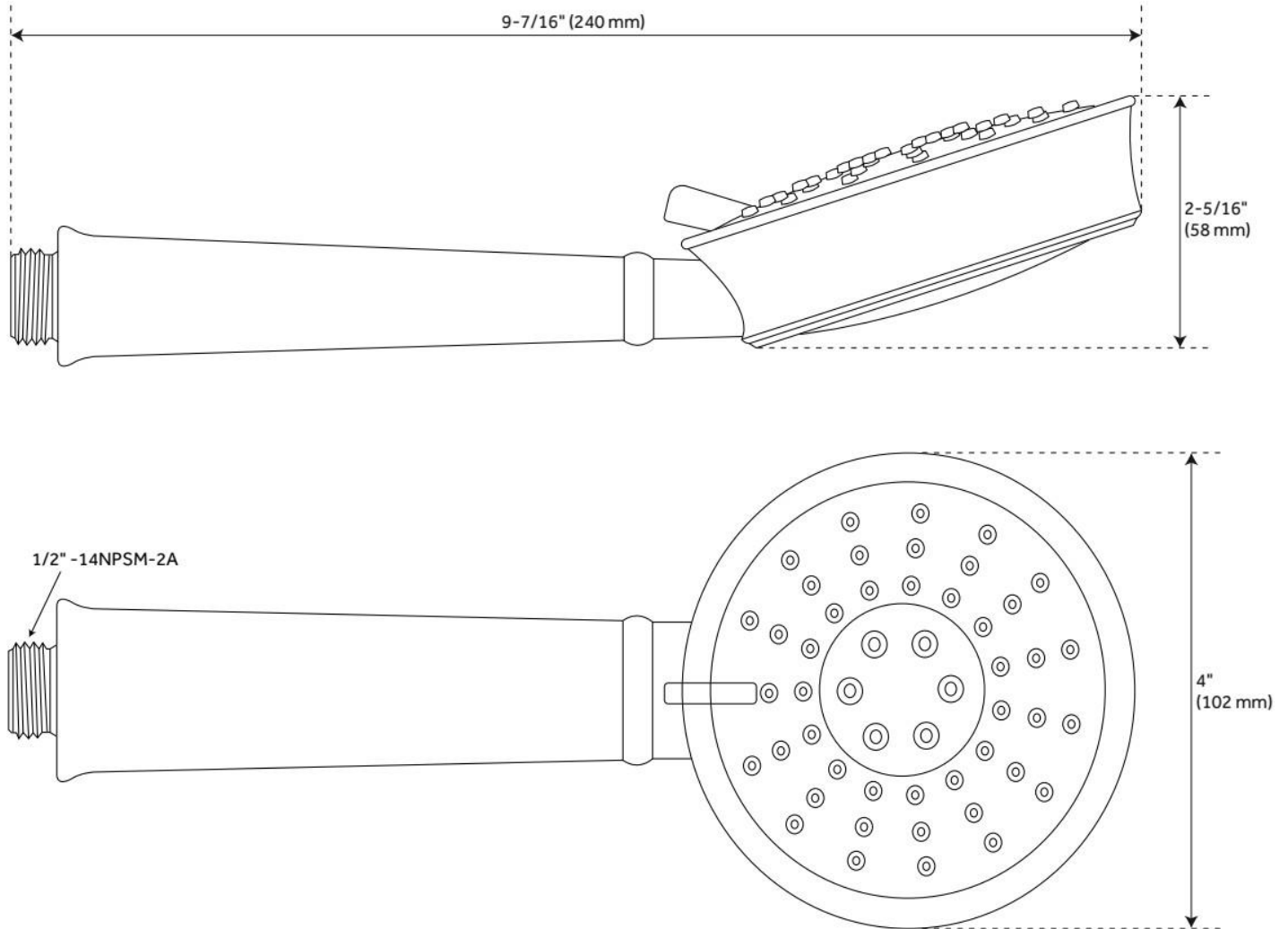
- 3 function hand shower (full spray, massage spray, full & massage spray).
- Easy-clean spray nozzles.
- Factory installed backflow prevention check valve.
- Hose sold separately.

REVISED 9/17/2024

PINECREST HAND SHOWER

SKU: 948929

Code: SHHS4090G



REVISED 9/17/2024

60" METAL HAND SHOWER HOSE

SKU: 948088
Code: SHH1010

FEATURES

Connection Type: 1/2" IPS



ASME A112.18.1/CSA B125.1, Massachusetts Accepted, LISTED ID: SHH1010*



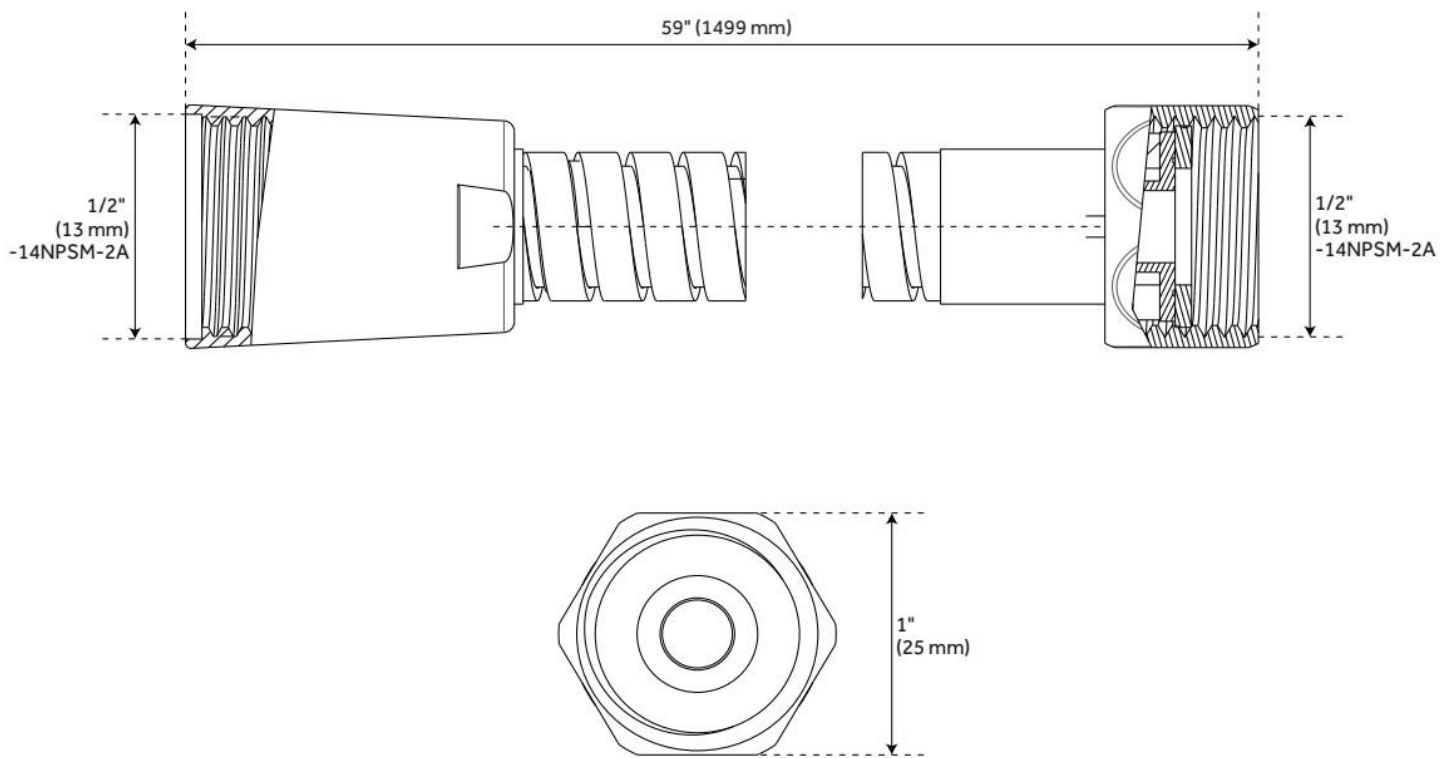
ADDITIONAL FEATURES

- Hand Sprayer sold separately.
- 60" - 72" stretchable metal shower hose.
- Double spiral constructed hose.

REVISED 9/17/2024

60" METAL HAND SHOWER HOSE

SKU: 948088
Code: SHH1010



REVISED 9/17/2024

ROUND FLUSH-MOUNT SWIVEL BODY SPRAY

SKU: 948943

Code: SHBS6010E, SH488914



FEATURES

Material: Brass

Shower Head Swivel: Yes

Shower Head Spray: Full

Flow Rate: 2.5 gpm (9.5 L/min) @ 80 psi

Connection Type: 1/2" IPS

ASME A112.18.1/CSA B125.1, Massachusetts Accepted, LISTED ID: SHBS6010E**



ADDITIONAL FEATURES

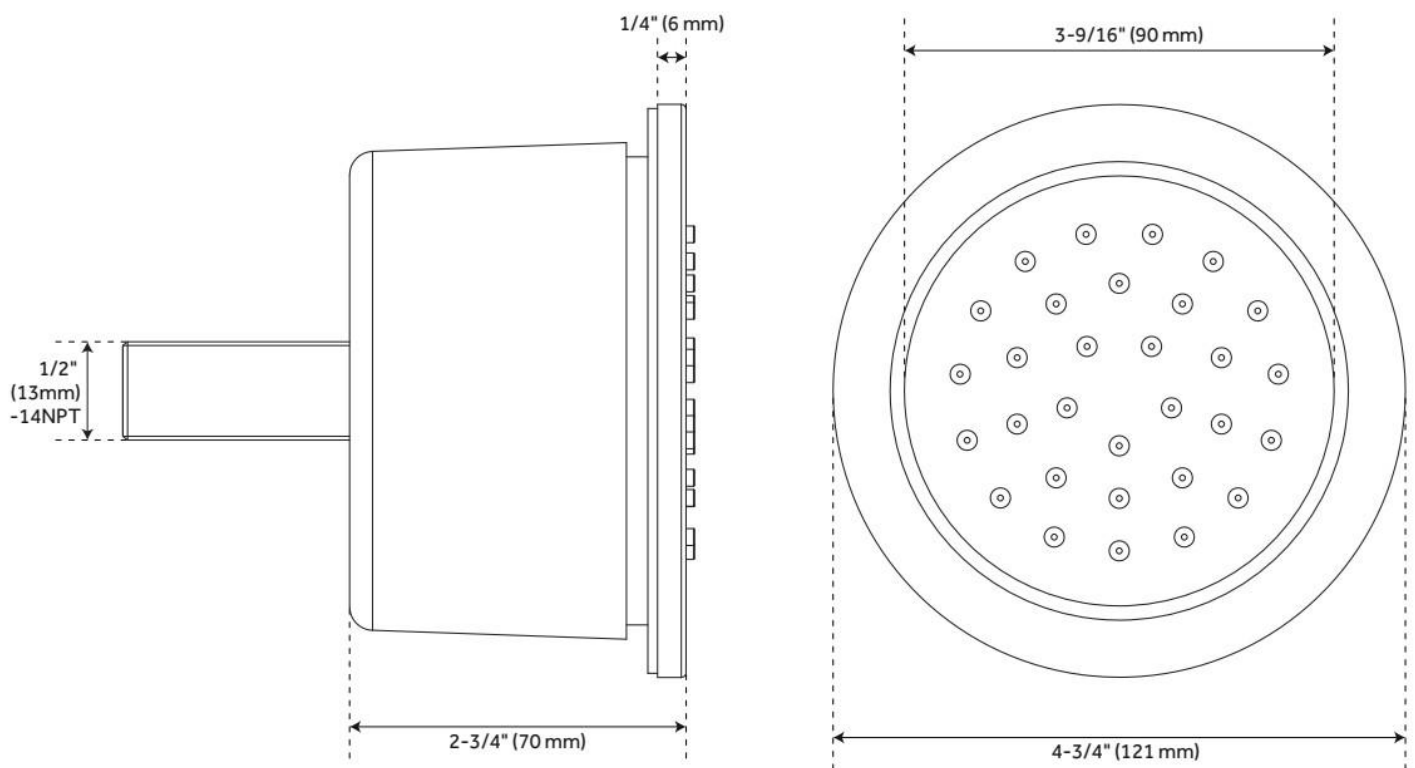
- 1/2" Male connection.
- Jet surface area: 3-9/16"
- Surface depth: 1/4"

REVISED 9/17/2024

ROUND FLUSH-MOUNT SWIVEL BODY SPRAY

SKU: 948943

Code: SHBS6010E, SH488914



REVISED 9/17/2024

3-WAY IN-WALL DIVERTER ROUGH-IN VALVE - 3/4"

SKU: 446519
Code: SH6103

FEATURES

Material: Brass
Cartridge Type: Ceramic Disc



IAPMO, ASME A112.18.1/CSA B125.1, ASME A112.18.2/CSA B125.2, Massachusetts Accepted, LISTED ID: SH6103



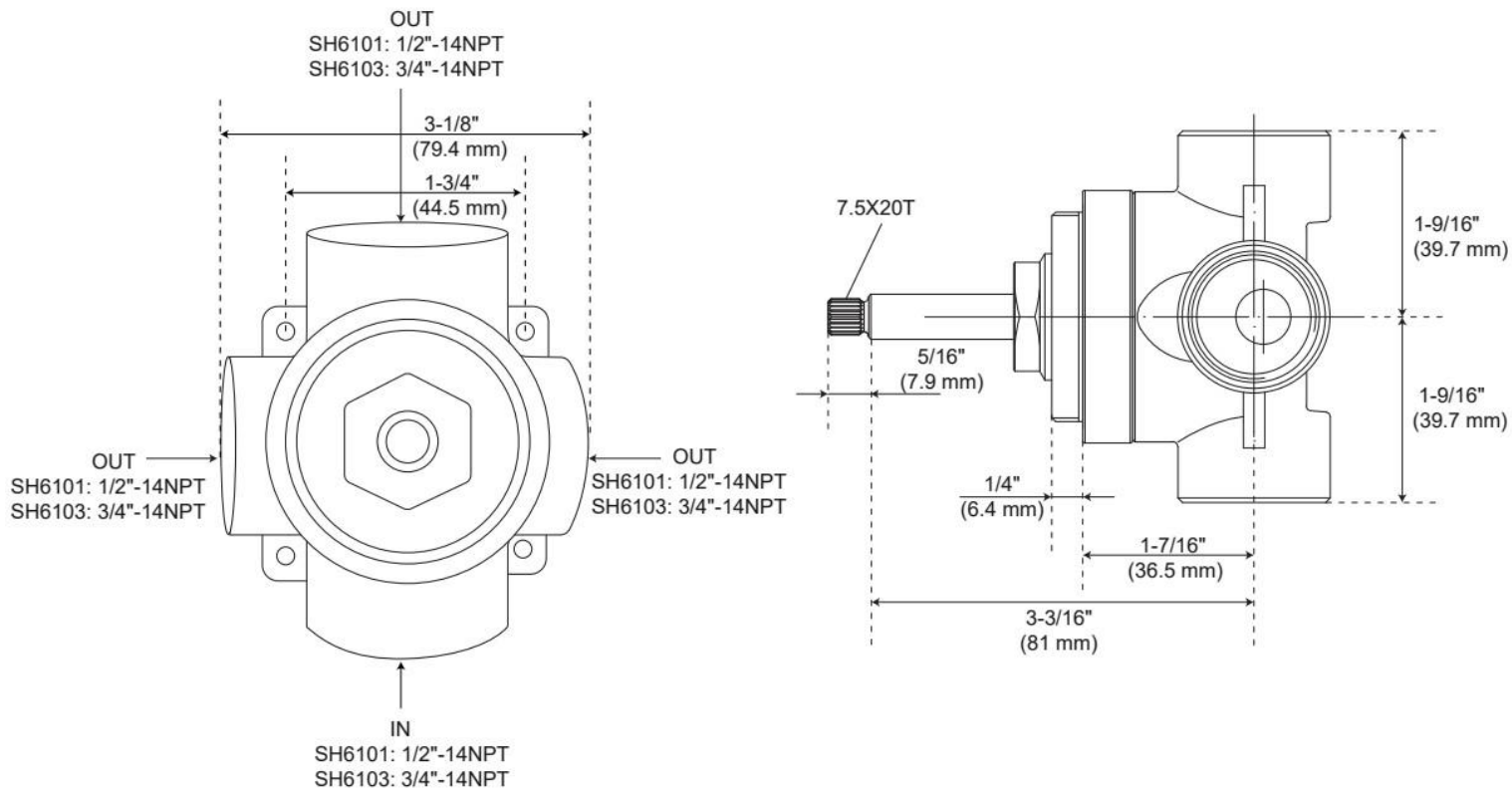
ADDITIONAL FEATURES

- Six total settings allow for shared water flow between outlets, giving you the ability to use two functions at once.
- Ceramic cartridge.
- Available Single-Function Diverter Valve Cartridge restricts water flow to one outlet at a time.
- Not intended as a shut off valve.
- For installations only requiring 2 outlets, the 3rd outlet may be looped into one of the existing pipes.
- Compatible with Beasley, Berwyn, Boca Raton, Drea, Edenton, Elita, Greyfield, Gunther, Hibiscus, Key West, Lentz, Lexia, Pendleton, Pinecrest, Provincetown, Rigi, Sefina, Vassor and Vilamonte Diverter Trims.

REVISED 9/17/2024

3-WAY IN-WALL DIVERTER ROUGH-IN VALVE - 3/4"

SKU: 446519
Code: SH6103



REVISED 10/11/2024

VOLUME CONTROL ROUGH-IN VALVE

SKU: 948546

Code: SH6020, SH6040



ASME A112.18.1/CSA B125.1, Massachusetts Accepted, LISTED ID: SH6020, SH6040



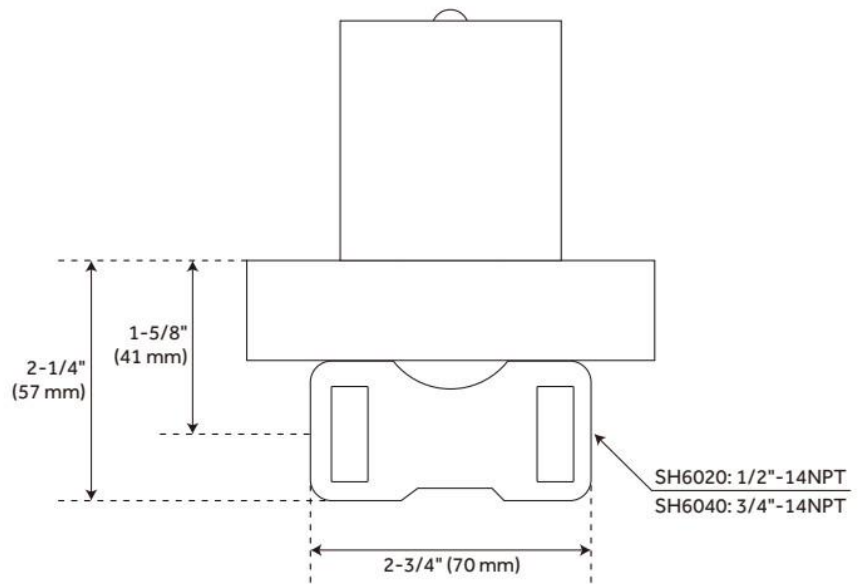
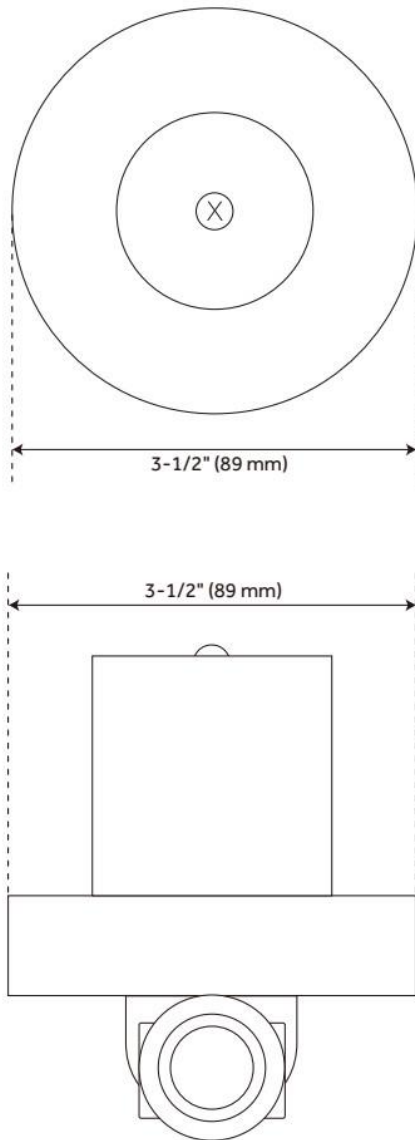
ADDITIONAL FEATURES

- Intended for use with a thermostatic valve and trim.
- Bronze valve body.
- Ceramic cartridge.
- Compatible with Beasley, Berwyn, Boca Raton, Drea, Edenton, Elita, Greyfield, Gunther, Hibiscus, Key West, Lentz, Lexia, Pendleton, Pinecrest, Provincetown, Rigi, Sefina, Vassor and Vilamonte Volume Control Trims.

REVISED 11/22/2024

VOLUME CONTROL ROUGH-IN VALVE

SKU: 948546
Code: SH6020, SH6040



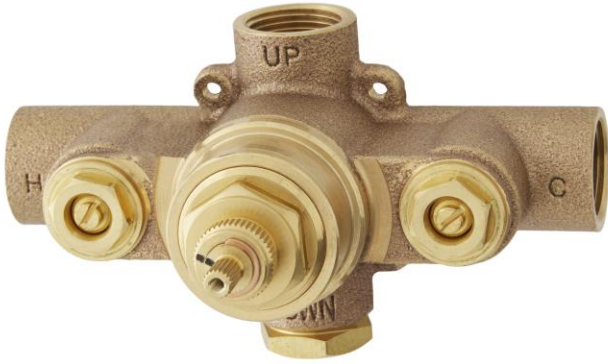
REVISED 11/22/2024

THERMOSTATIC ROUGH-IN VALVE - 3/4" CONNECTION

SKU: 447694
Code: SH6006

FEATURES

Material: Bronze
Flow Rate: 18.2 gpm (68.9 L/min) @ 80 psi
Connection Type: 3/4" NPT
Cartridge Type: Thermostatic



IAPMO, ASME A112.18.1/CSA B125.1, Massachusetts Accepted, LISTED ID: SH6006



ADDITIONAL FEATURES

- Compatible with Beasley, Berwyn, Boca Raton, Drea, Edenton, Elita, Greyfield, Gunther, Hibiscus, Key West, Lentz, Lexia, Pendleton, Pinecrest, Provincetown, Rigi, Sefina, Vassor and Vilamonte Thermostatic Valve Trim.
- For proper installation, requires use of volume control valve and trim.
- Bronze valve body.
- Factory-calibrated comfort setting at 104 degrees Fahrenheit.
- Water inlet stops and check valve.
- Thermostatic technology keeps shower temperature ± 1 degree Celsius.

REVISED 9/17/2024