

SEFINA 4-HOLE ROMAN TUB FAUCET AND HAND SHOWER

SKU: 955151

Code: SHSF4RTG, SH674164



FEATURES

Material: Metal construction for strength and durability.
Faucet Centers: 6"-10"
Installation Type: Deck Mount
Hand Shower Flow Rate: 1.75 gpm (6.6 L/min) @ 80 psi Spray
Tub spout flow rate: 7.95 Gpm (30 L/min) @ 20 PS.
Type: Full
Cartridge Type: Ceramic Disc
Swivel Spout: No
Required for Installation: Rough-in valve: SH674164

ASME A112.18.1/CSA B125.1, CEC Listed, WaterSense by IAPMO, LISTED ID: SHSF4RTGXX, SH674164



ADDITIONAL FEATURES

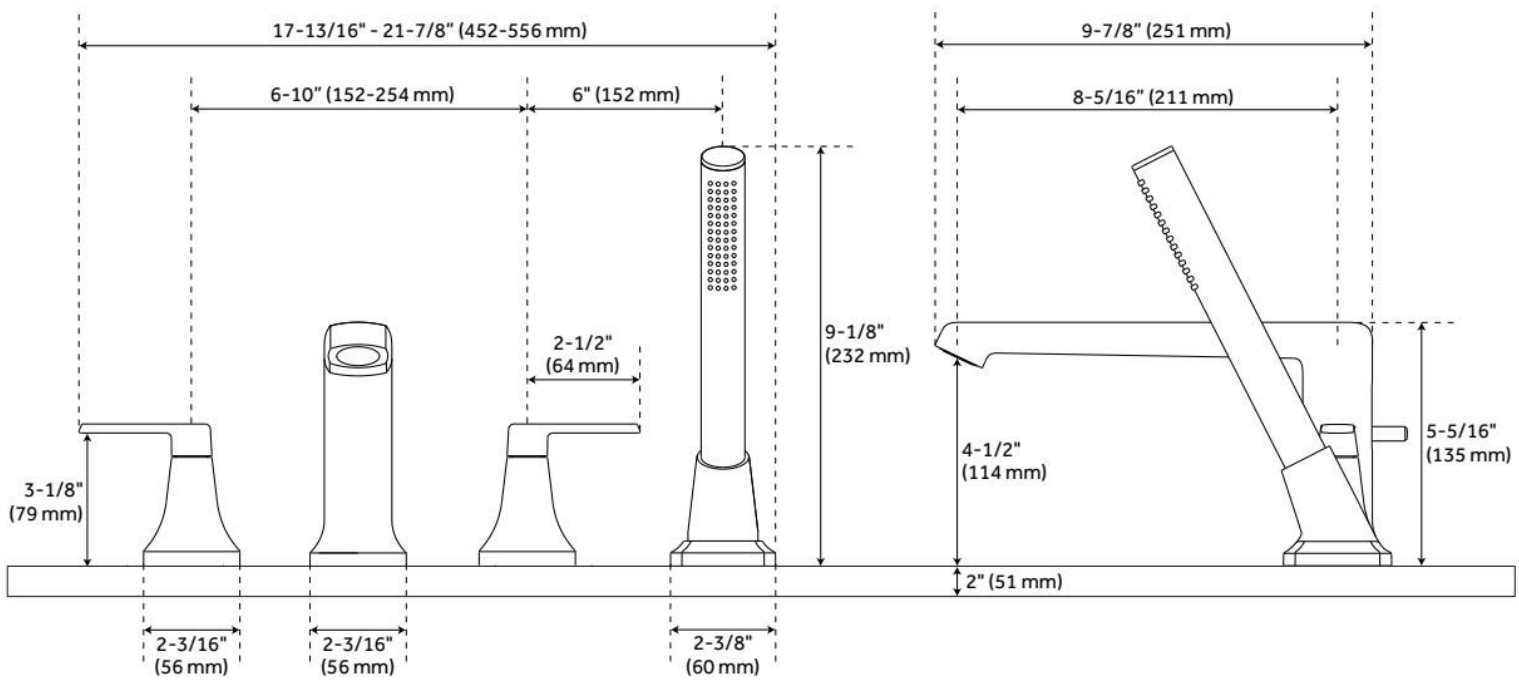
- 4-hole installation.
- Deck thickness max: 2"
- Spout reach: 8-5/16".
- Tub spout flow rate: 7.95 Gpm (30 L/min) @ 20 PS.
- Optional rough-in valve:
 - Rough-in-valve: 4-Hole Installation.
 - Brass coupling nut.

REVISED 1/14/2025

SEFINA 4-HOLE ROMAN TUB FAUCET AND HAND SHOWER

SKU: 955151

Code: SHSF4RTG, SH674164



REVISED 1/14/2025

4-HOLE ROMAN TUB FAUCET ROUGH-IN VALVE

SKU: 448005
Code: SH674164

FEATURES

Installation Type: Deck Mount



ASME A112.18.1/CSA B125.1, Massachusetts Accepted, LISTED ID: SH674164



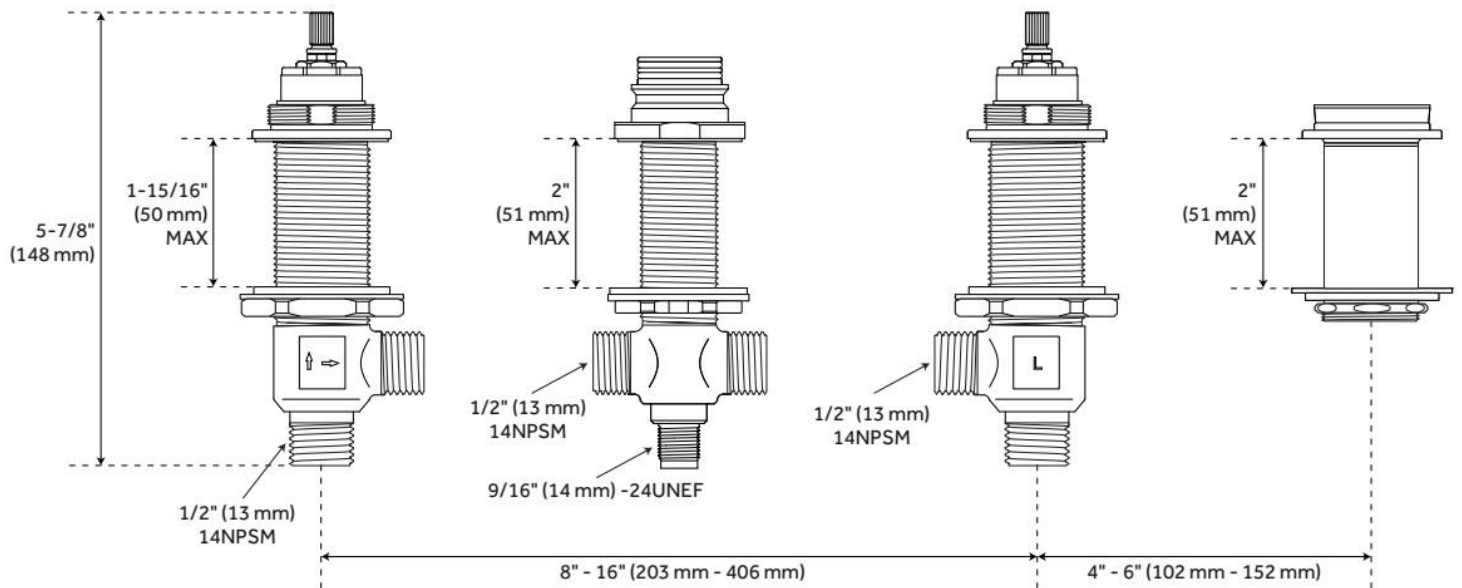
ADDITIONAL FEATURES

- 4-Hole Installation.
- Brass coupling nut.

REVISED 5/15/2024

4-HOLE ROMAN TUB FAUCET ROUGH-IN VALVE

SKU: 448005
Code: SH674164



REVISED 5/15/2024