

# SEFINA THERMOSTATIC SHOWER VALVE TRIM

SKU: 955152

Code: SHSF9009, SH6004, SH6006



## FEATURES

Material: Metal

Cartridge Type: Ceramic Disc

Required for Installation: Rough-in valve: SH6006 or SH6004.

ASME A112.18.1/CSA B125.1, Massachusetts Accepted, LISTED ID: SHSF9009XX, SH6004, SH6006



## ADDITIONAL FEATURES

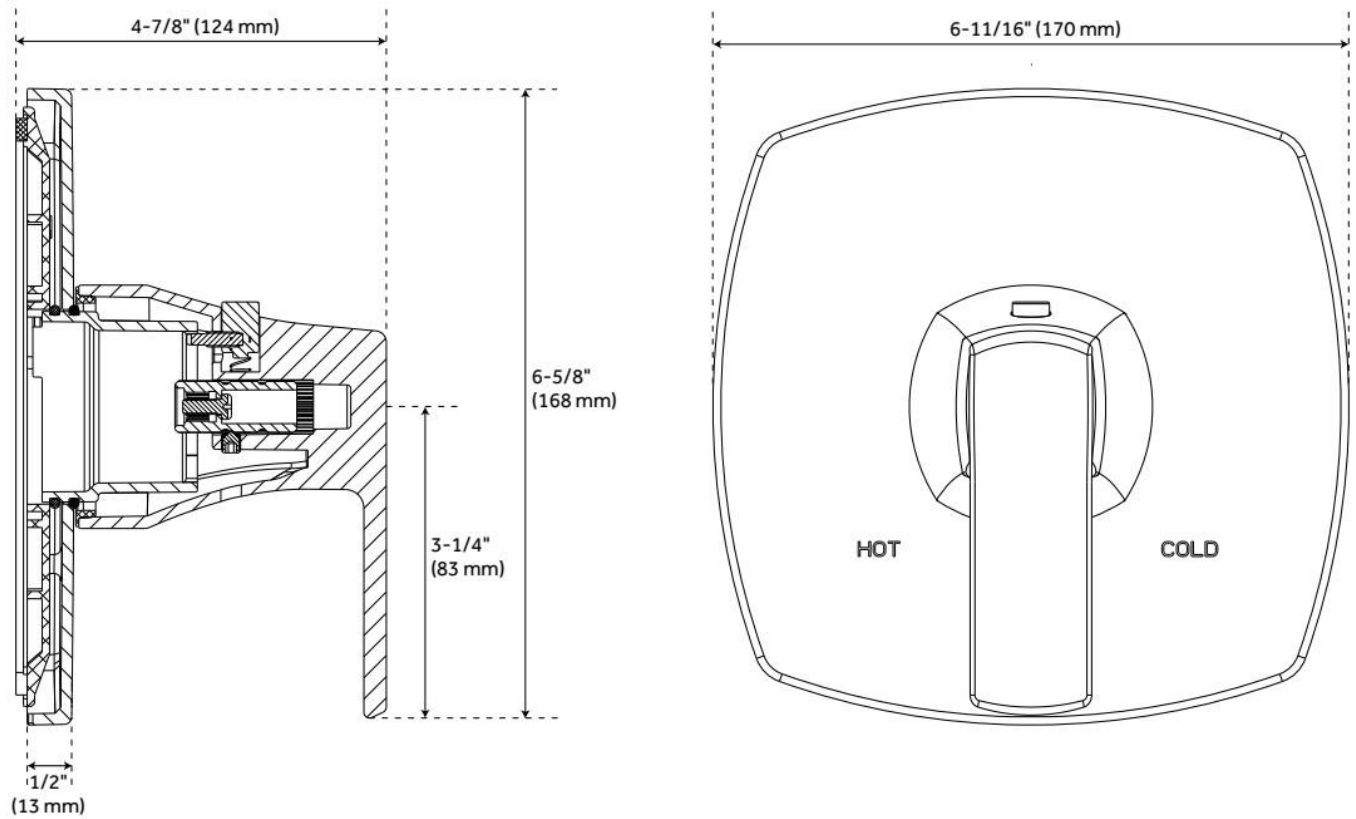
- Temperature outlet factory preset to 104 degrees Fahrenheit.
- High temperature limit stop.
- Wall thickness range: 1" to 1-3/4".
- Ceramic cartridge.
- Recommended valve installation depth 1-5/8" to 2-3/8".

REVISED 1/15/2025

# SEFINA THERMOSTATIC SHOWER VALVE TRIM

SKU: 955152

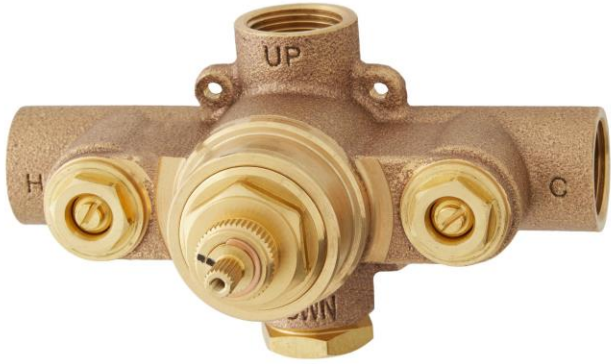
Code: SHSF9009, SH6004, SH6006



REVISED 1/15/2025

# THERMOSTATIC ROUGH-IN VALVE - 1/2" CONNECTION

SKU: 447693  
Code: SH6004, SH6006



## FEATURES

Material: Bronze  
Flow Rate: 12.9 gpm (48.8 L/min) @ 80 psi  
Connection Type: 1/2" NPT  
Cartridge Type: Thermostatic

IAPMO, ASME A112.18.1/CSA B125.1, Massachusetts Accepted, LISTED ID: SH6004



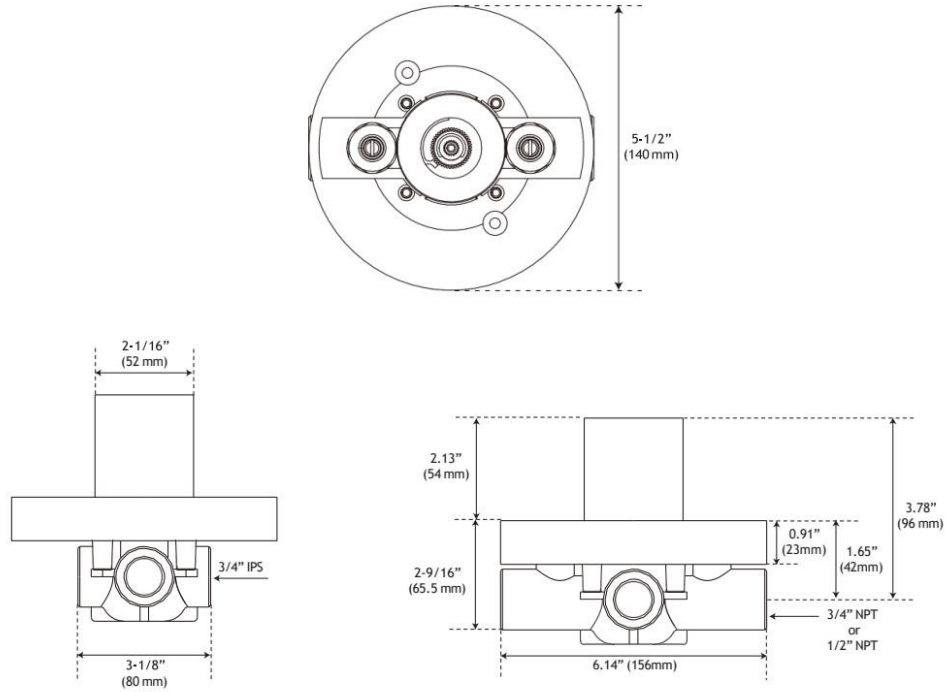
## ADDITIONAL FEATURES

- For proper installation, requires use of volume control valve and trim.
- Bronze valve body.
- Factory-calibrated comfort setting at 104 degrees Fahrenheit.
- Water inlet stops and check valve.
- Thermostatic technology keeps shower temperature  $\pm 1$  degree Celsius.

REVISED 1/8/2025

# THERMOSTATIC ROUGH-IN VALVE - 1/2" CONNECTION

SKU: 447693  
Code: SH6004, SH6006



REVISED 1/8/2025