

SEFINA THERMOSTATIC SHOWER SYSTEM WITH HAND SHOWER

SKU: 955156

Code: SH6103, SHSF9005, SHHS4170G, SHH1010, SHSF9007, SHSF9009, SH6006, SH6040, SHRSB820RG, SHWES2050, SHRSA124



FEATURES

Material: Metal

Shower Head Swivel: Yes

Shower Head Spray: Rainfall

Shower Head Flow Rate: 1.75 gpm (6.6 L/min) @ 80 psi

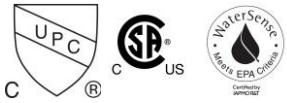
Hand Shower Spray: Full

Hand Shower Flow Rate: 1.75 gpm (6.6 L/min) @ 80 psi

Diverter Outlets: 3

Cartridge Type: Thermostatic/Ceramic

ASME A112.18.1/CSA B125.1, ASME A112.18.2/CSA B125.2, CEC Listed, WaterSense by IAPMO, Massachusetts Accepted, LISTED ID: SH6103, SHH1010*, SH6006, SH6040, SHRSB820RG*, SHWES2050xy, SHSF9005**, SHRSA124XX, SHHS4170XX, SHSF9009XX, SHSF9007XX



ADDITIONAL FEATURES

- 60" - 72" Stretchable metal hand shower hose.
- Single function hand shower (full spray).
- Modern shower arm and hand shower.
- Swivel water supply elbow and bracket for hand shower has 1/2" female wall connection and 1/2" male hose connection.
- Thermostatic rough-in shower valve has factory-calibrated comfort setting at 104 degrees Fahrenheit.
- Water inlet stops and check valve.
- Thermostatic technology keeps shower temperature ± 1 degree Celsius.
- 3-Way in-wall diverter rough-in valve has six total settings allow for shared water flow between outlets, giving you the ability to use two functions at once.
- Volume control rough-in valve has a bronze valve body.

REVISED 1/8/2025

SEFINA THERMOSTATIC SHOWER VALVE TRIM

SKU: 955152

Code: SHSF9009, SH6004, SH6006



FEATURES

Material: Metal

Cartridge Type: Ceramic Disc

Required for Installation: Rough-in valve: SH6006 or SH6004.

ASME A112.18.1/CSA B125.1, Massachusetts Accepted, LISTED ID: SHSF9009XX, SH6004, SH6006



ADDITIONAL FEATURES

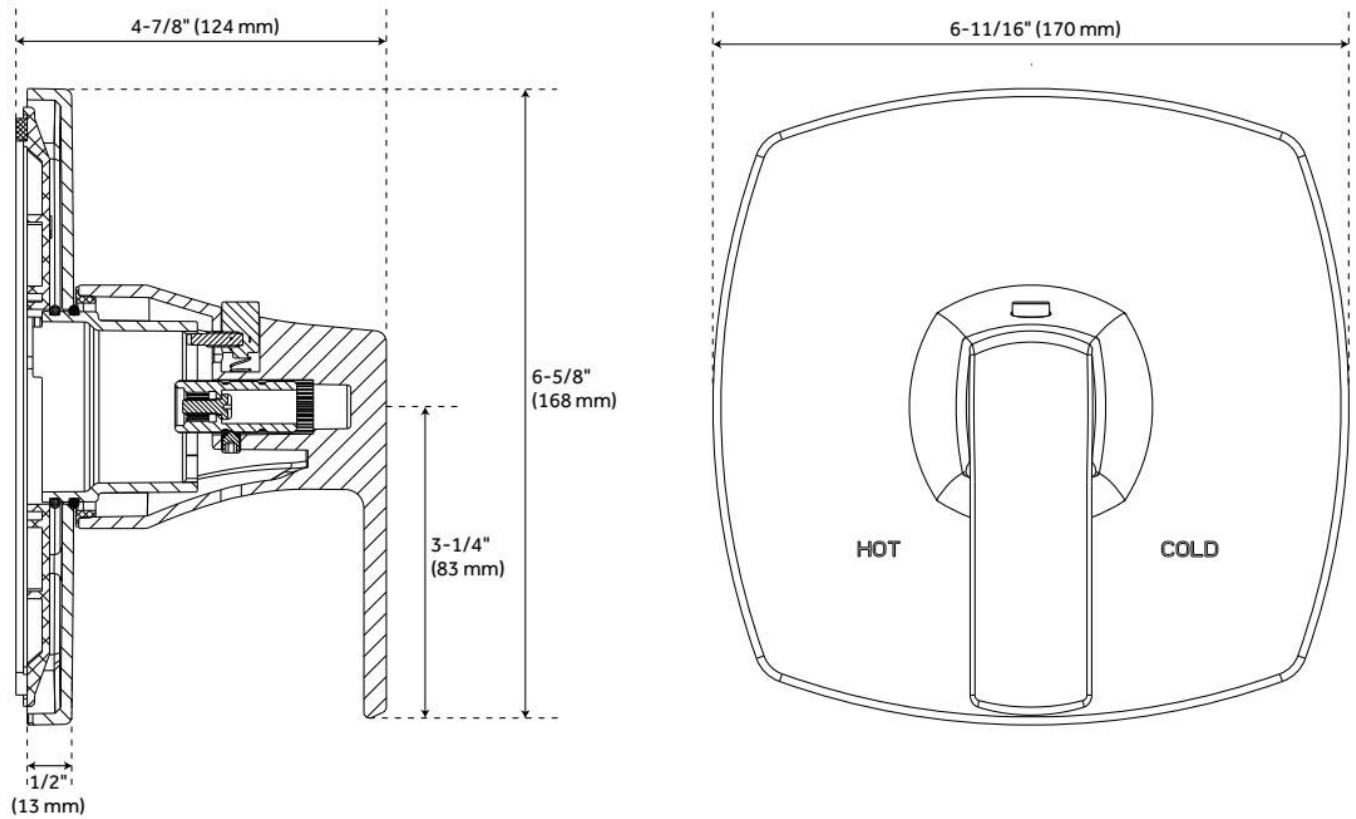
- Temperature outlet factory preset to 104 degrees Fahrenheit.
- High temperature limit stop.
- Wall thickness range: 1" to 1-3/4".
- Ceramic cartridge.
- Recommended valve installation depth 1-5/8" to 2-3/8".

REVISED 1/15/2025

SEFINA THERMOSTATIC SHOWER VALVE TRIM

SKU: 955152

Code: SHSF9009, SH6004, SH6006



REVISED 1/15/2025

SEFINA IN-WALL SHOWER VOLUME CONTROL HANDLE

SKU: 955153

Code: SHSF9007, SH6020, SH6040



FEATURES

Material: Metal

Cartridge Type: Ceramic Disc

ASME A112.18.1/CSA B125.1, Massachusetts Accepted, LISTED ID: SHSF9007XX, SH6020, SH6040



ADDITIONAL FEATURES

Volume control rough-in valve:

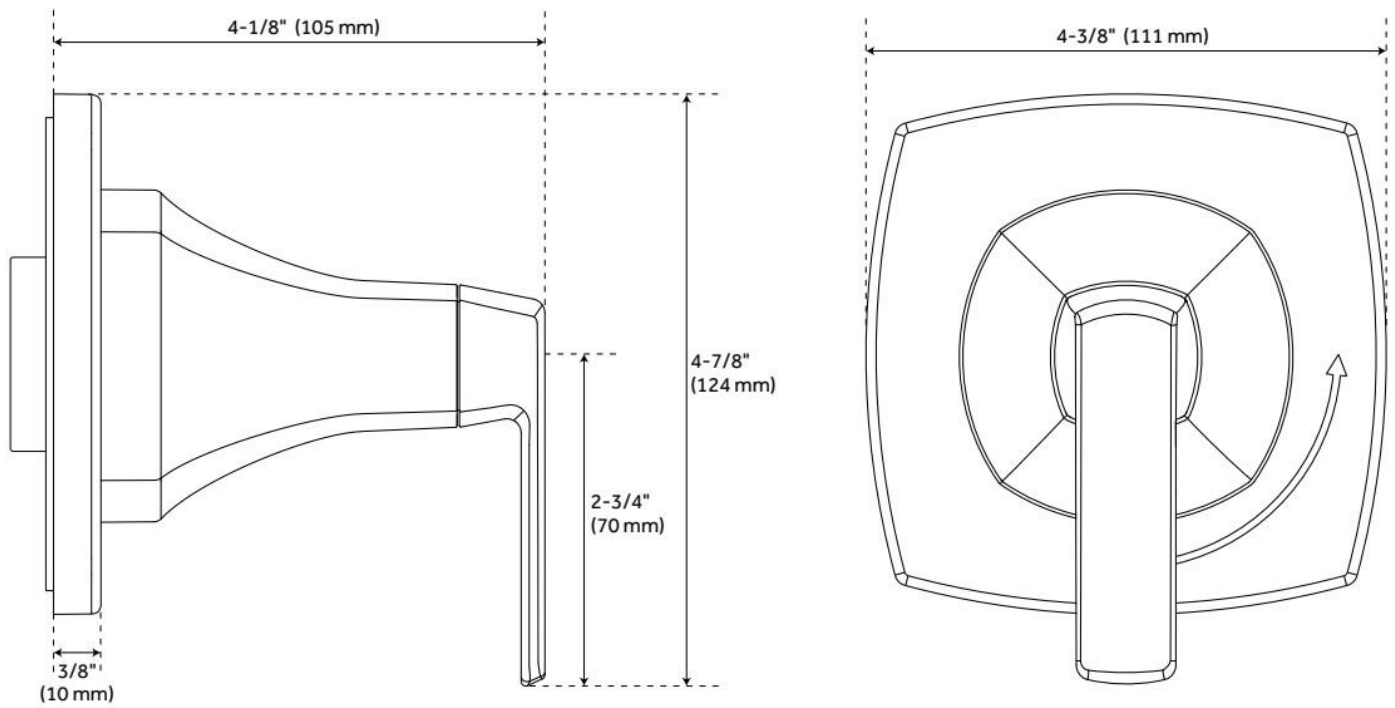
- Intended for use with a thermostatic valve and trim.
- Bronze valve body.
- Ceramic cartridge.

REVISED 1/8/2025

SEFINA IN-WALL SHOWER VOLUME CONTROL HANDLE

SKU: 955153

Code: SHSF9007, SH6020, SH6040



REVISED 1/8/2025

SEFINA IN-WALL SHOWER DIVERTER TRIM

SKU: 953987

Code: SHSF9005, SH6103



FEATURES

Material: Metal

Diverter Outlets: 3

ASME A112.18.1/CSA B125.1, ASME A112.18.2/CSA B125.2, Massachusetts Accepted, LISTED ID: SH6103, SHSF9005**



ADDITIONAL FEATURES

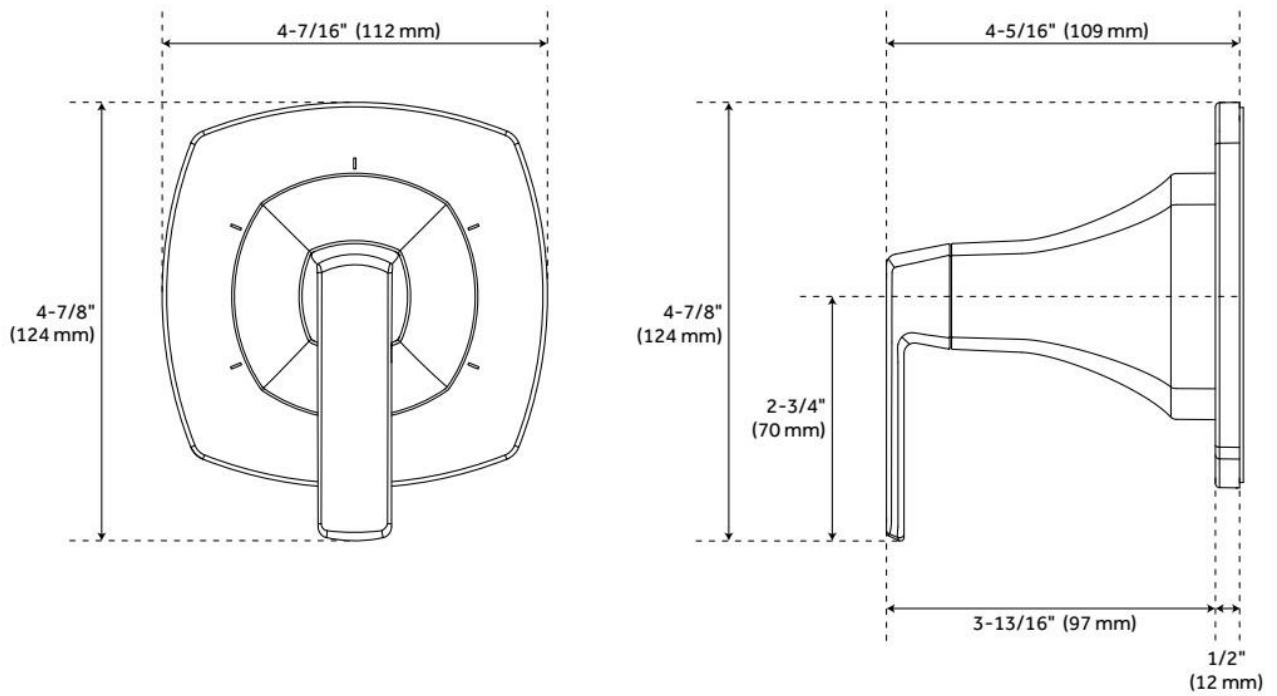
- Metal construction for ultimate strength and durability.
- May purchase with or without valve. Value required for use.(SH6103)
- When purchased with Rough-in Valve:
 - Brass valve body.
 - Ceramic disc cartridge.
 - Not intended as a shut off valve.
 - SH6150: CALGreen cartridge (no shared functions)
 - Optional extension kit: SH6101EXT*.

REVISED 10/15/2024

SEFINA IN-WALL SHOWER DIVERTER TRIM

SKU: 953987

Code: SHSF9005, SH6103



REVISED 10/15/2024

8" MODERN ROUND RAINFALL SHOWER HEAD - 1.75 GPM

SKU: 948948-18

Code: SHRSB820RG, SH484203, SH485499, SHRSB820RGPB



FEATURES

Material: ABS

Shower Head Swivel: Yes

Flow Rate: 1.75 gpm (6.6 L/min) @ 80 psi

ASME A112.18.1/CSA B125.1, CEC Listed, WaterSense by IAPMO, Massachusetts Accepted, LISTED ID:
SHRSB820RG*

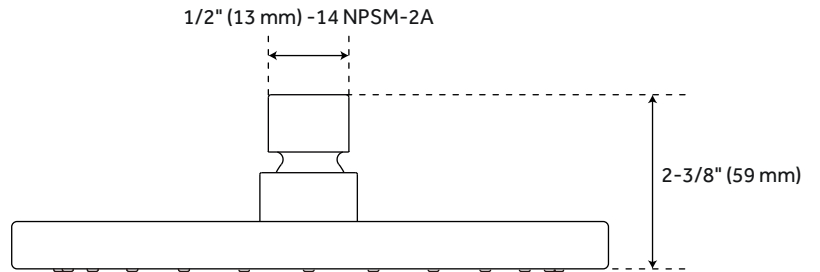
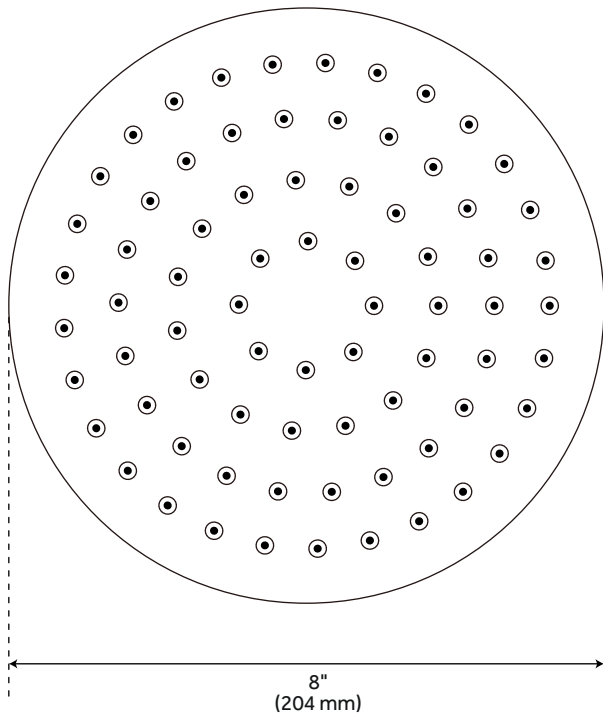


ADDITIONAL FEATURES

- Single function shower head (full spray).
- Easy clean rubber nozzles.
- Brass ball joint.

REVISED 11/22/2024

8" MODERN ROUND RAINFALL SHOWER HEAD - 1.75 GPM



All dimensions and specifications are nominal and may vary. Use actual products for accuracy in critical situations.

60" STRETCHABLE METAL HAND SHOWER HOSE

SKU: 948938

Code: SHH1010, SH484205, SH485500

FEATURES

Material: Metal

Connection Type: 1/2" IPS



ASME A112.18.1/CSA B125.1, Massachusetts Accepted, LISTED ID: SHH1010*



ADDITIONAL FEATURES

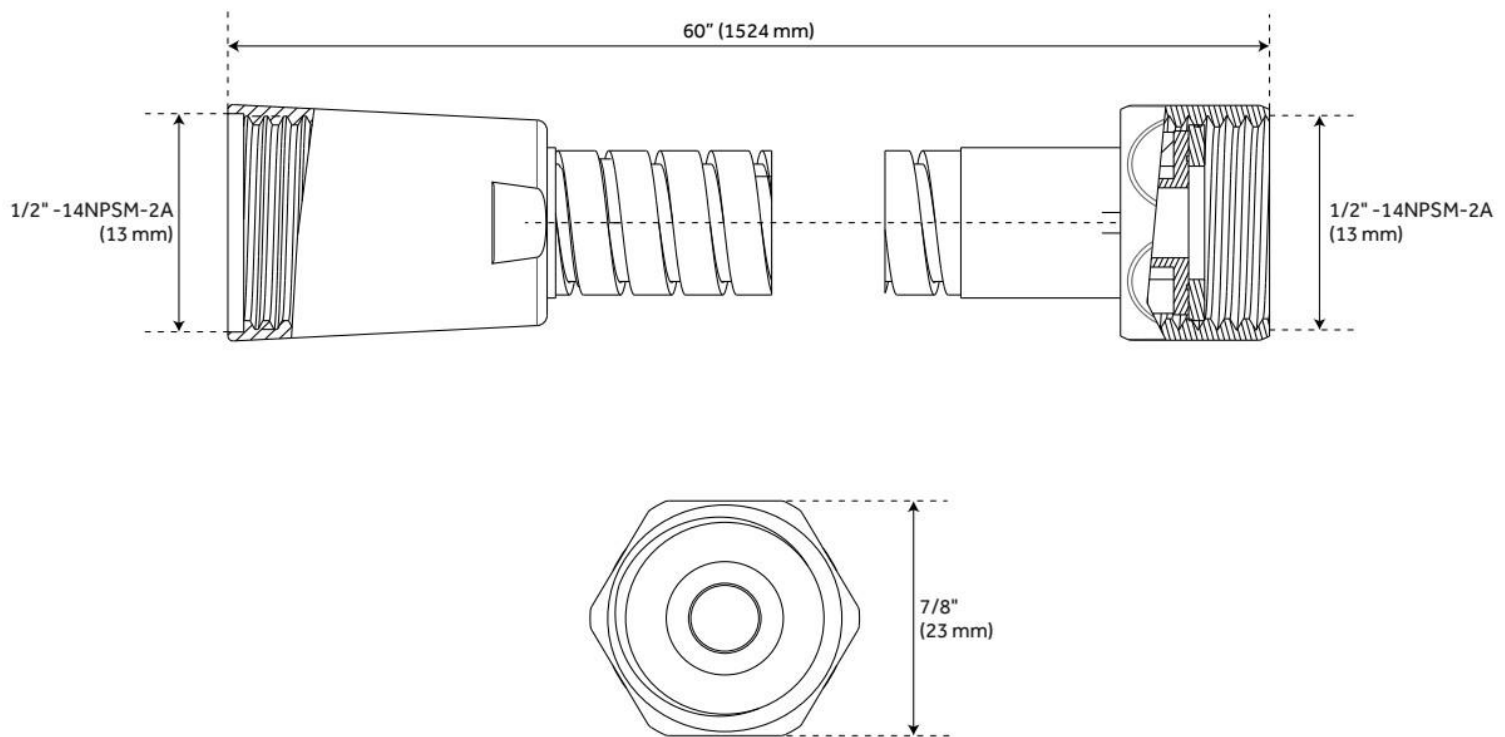
- 60" - 72" stretchable metal shower hose.
- Double spiral construction.
- Metal conical nut.

REVISED 11/25/2024

60" STRETCHABLE METAL HAND SHOWER HOSE

SKU: 948938

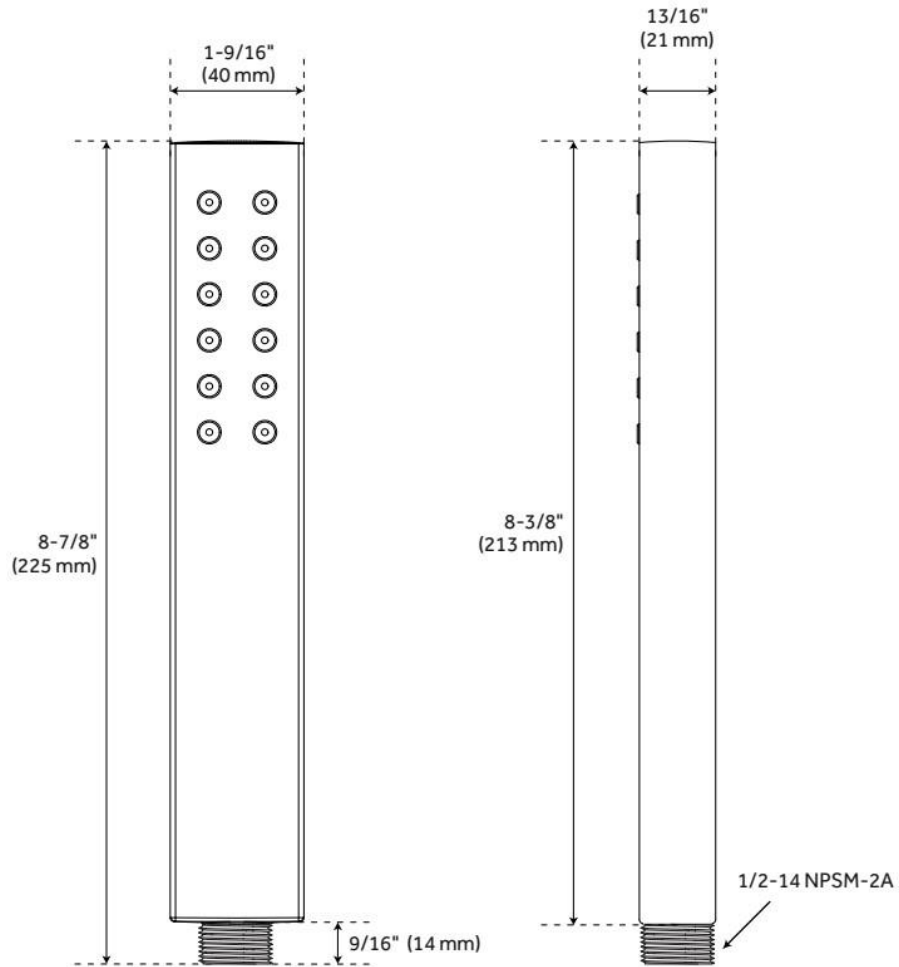
Code: SHH1010, SH484205, SH485500



REVISED 11/25/2024

MODERN HAND SHOWER

SKU: 953994
Code: SHHS4170G



REVISED 11/25/2024

MODERN SHOWER ARM

SKU: 953989
Code: SHRSA124

FEATURES

Material: Metal



ASME A112.18.1/CSA B125.1, Massachusetts Accepted, LISTED ID: SHRSA124XX



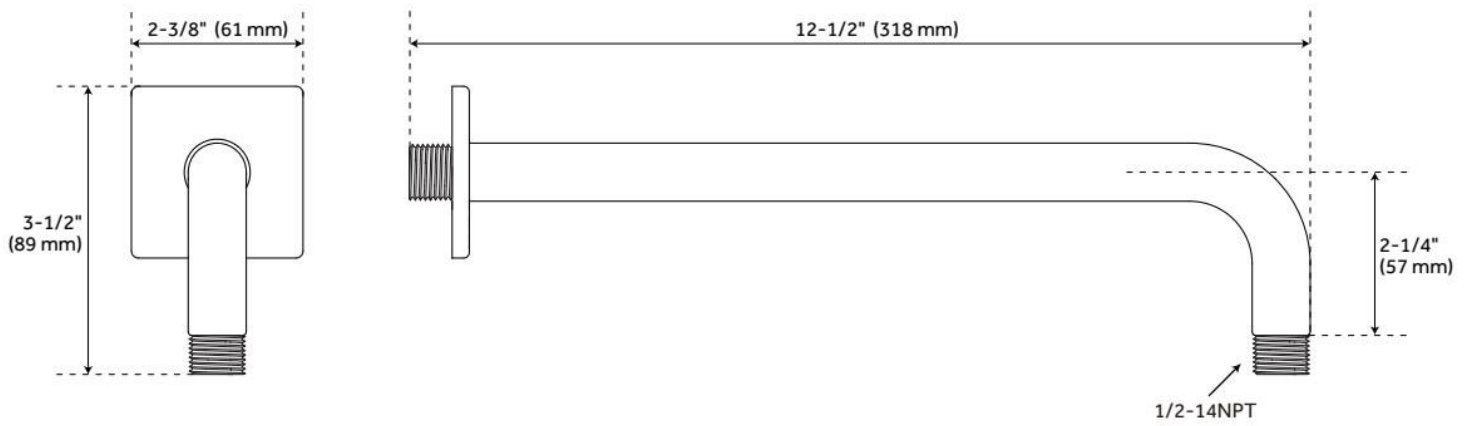
ADDITIONAL FEATURES

- Metal construction for ultimate strength and durability.
- Escutcheon included.

REVISED 11/25/2024

MODERN SHOWER ARM

SKU: 953989
Code: SHRSA124



REVISED 11/25/2024

SWIVEL WATER SUPPLY ELBOW AND BRACKET FOR HAND SHOWER

SKU: 948936

Code: SHWES2050, SH485446, SH485535

FEATURES

Material: Metal, ABS

Connection Type: 1/2" NPT



ASME A112.18.1/CSA B125.1, LISTED ID: SHWES2050xy



ADDITIONAL FEATURES

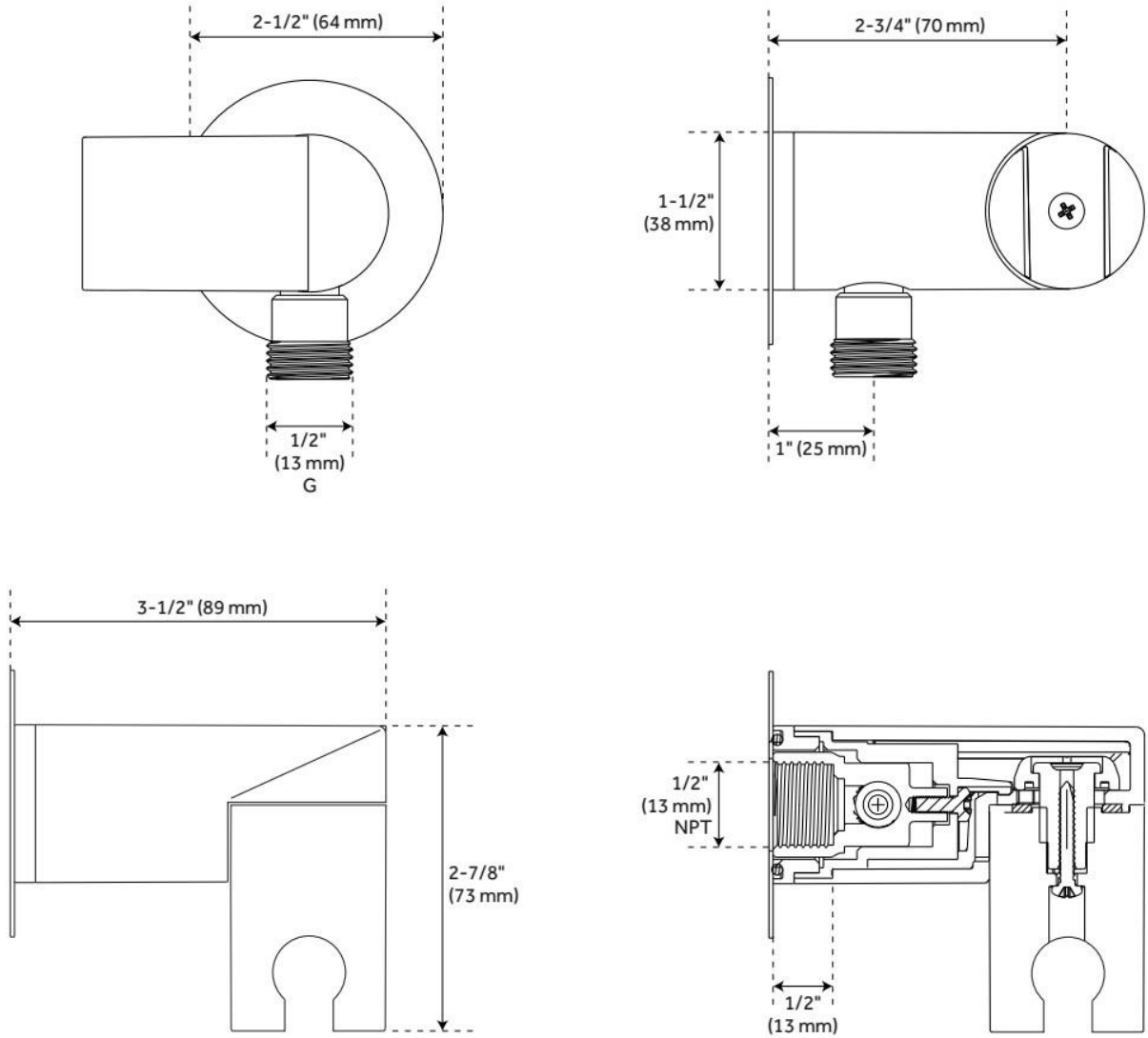
- 1/2" Female wall connection.
- 1/2" Male hose connection.
- Brass inlet/outlet, ABS body.

REVISED 11/25/2024

SWIVEL WATER SUPPLY ELBOW AND BRACKET FOR HAND SHOWER

SKU: 948936

Code: SHWES2050, SH485446, SH485535



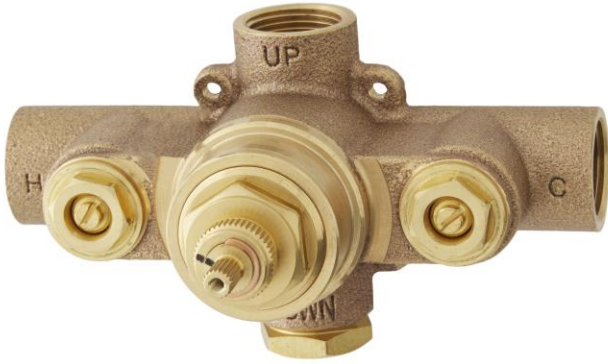
REVISED 11/25/2024

THERMOSTATIC ROUGH-IN SHOWER VALVE

SKU: 948545
Code: SH6004, SH6006

FEATURES

Cartridge Type: Thermostatic



ASME A112.18.1/CSA B125.1, Massachusetts Accepted, LISTED ID: SH6004, SH6006



ADDITIONAL FEATURES

- For proper installation, requires use of volume control valve and trim.
- Bronze valve body.
- Factory-calibrated comfort setting at 104 degrees Fahrenheit.
- Water inlet stops and check valve.
- Thermostatic technology keeps shower temperature ± 1 degree Celsius.

REVISED 11/21/2024

3-WAY IN-WALL DIVERTER ROUGH-IN VALVE

SKU: 953056
Code: SH6103, SH6101

FEATURES

Material: Brass



ASME A112.18.1/CSA B125.1, ASME A112.18.2/CSA B125.2, Massachusetts Accepted, LISTED ID: SH6103, SH6101



ADDITIONAL FEATURES

- Six total settings allow for shared water flow between outlets, giving you the ability to use two functions at once.
- Ceramic cartridge.
- Available Single-Function Diverter Valve Cartridge restricts water flow to one outlet at a time.
- Not intended as a shut off valve.
- For installations only requiring 2 outlets, the 3rd outlet may be looped into one of the existing pipes.
- Compatible with Beasley, Berwyn, Boca Raton, Drea, Edenton, Elita, Greyfield, Gunther, Hibiscus, Key West, Lentz, Lexia, Pendleton, Pinecrest, Provincetown, Rigi, Sefina, Vassor and Vilamonte Diverter Trims.

REVISED 11/25/2024

VOLUME CONTROL ROUGH-IN VALVE

SKU: 948546

Code: SH6020, SH6040



ASME A112.18.1/CSA B125.1, Massachusetts Accepted, LISTED ID: SH6020, SH6040



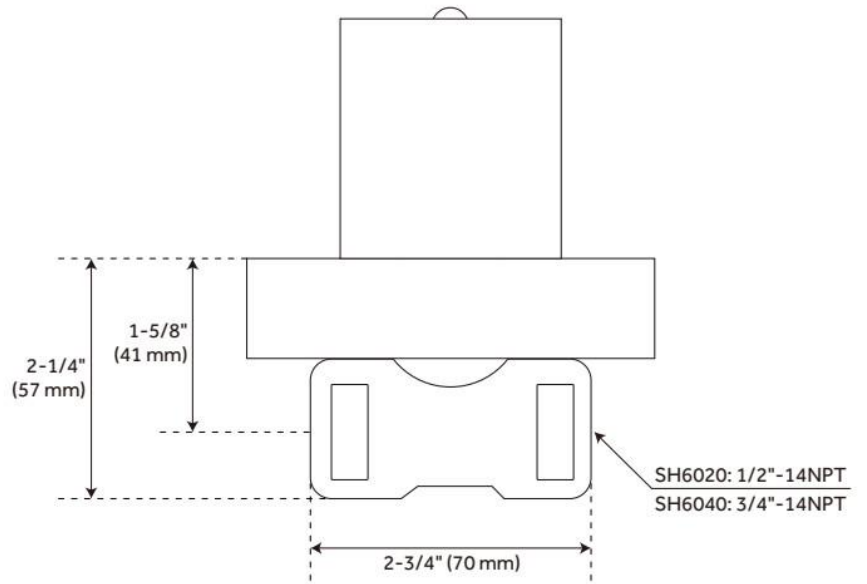
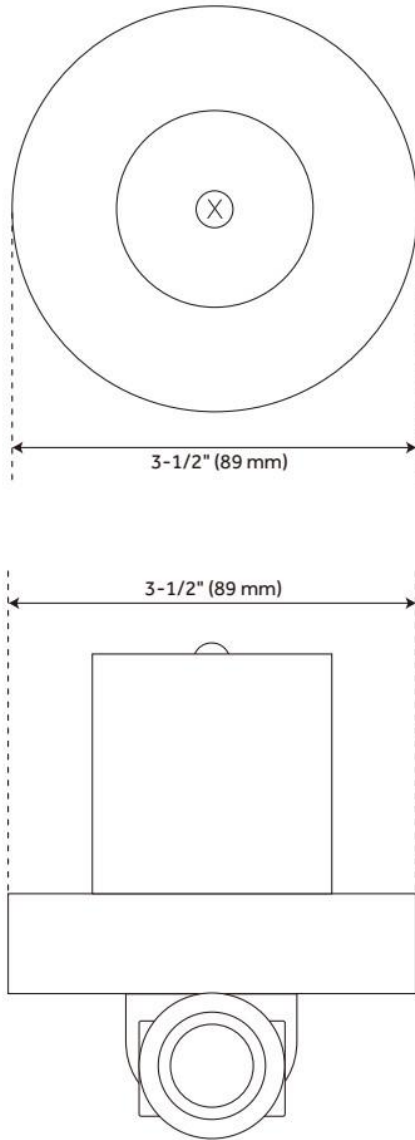
ADDITIONAL FEATURES

- Intended for use with a thermostatic valve and trim.
- Bronze valve body.
- Ceramic cartridge.

REVISED 11/21/2024

VOLUME CONTROL ROUGH-IN VALVE

SKU: 948546
Code: SH6020, SH6040



REVISED 11/21/2024