

GREYFIELD 4-HOLE ROMAN TUB FAUCET AND HAND SHOWER

SKU: 955163

Code: SHGF4RTG, SH674164



FEATURES

Material: Metal construction for strength and durability

Faucet Centers: 6" - 10"

Installation Type: Deck Mount

Hand Shower Flow Rate: 1.75 gpm (6.6 L/min) @ 80 psi

Spray Type: Full, Massage, Massage + Full

Cartridge Type: Ceramic Disc

Swivel Spout: No

Required for Installation: Required for installation: Rough-in valve: SH674164

ASME A112.18.1/CSA B125.1, ICC/ANSI A117.1, CEC Listed, CALGreen, WaterSense by CSA, Massachusetts Accepted, LISTED ID: SHGF4RTG*, SH674164



ADDITIONAL FEATURES

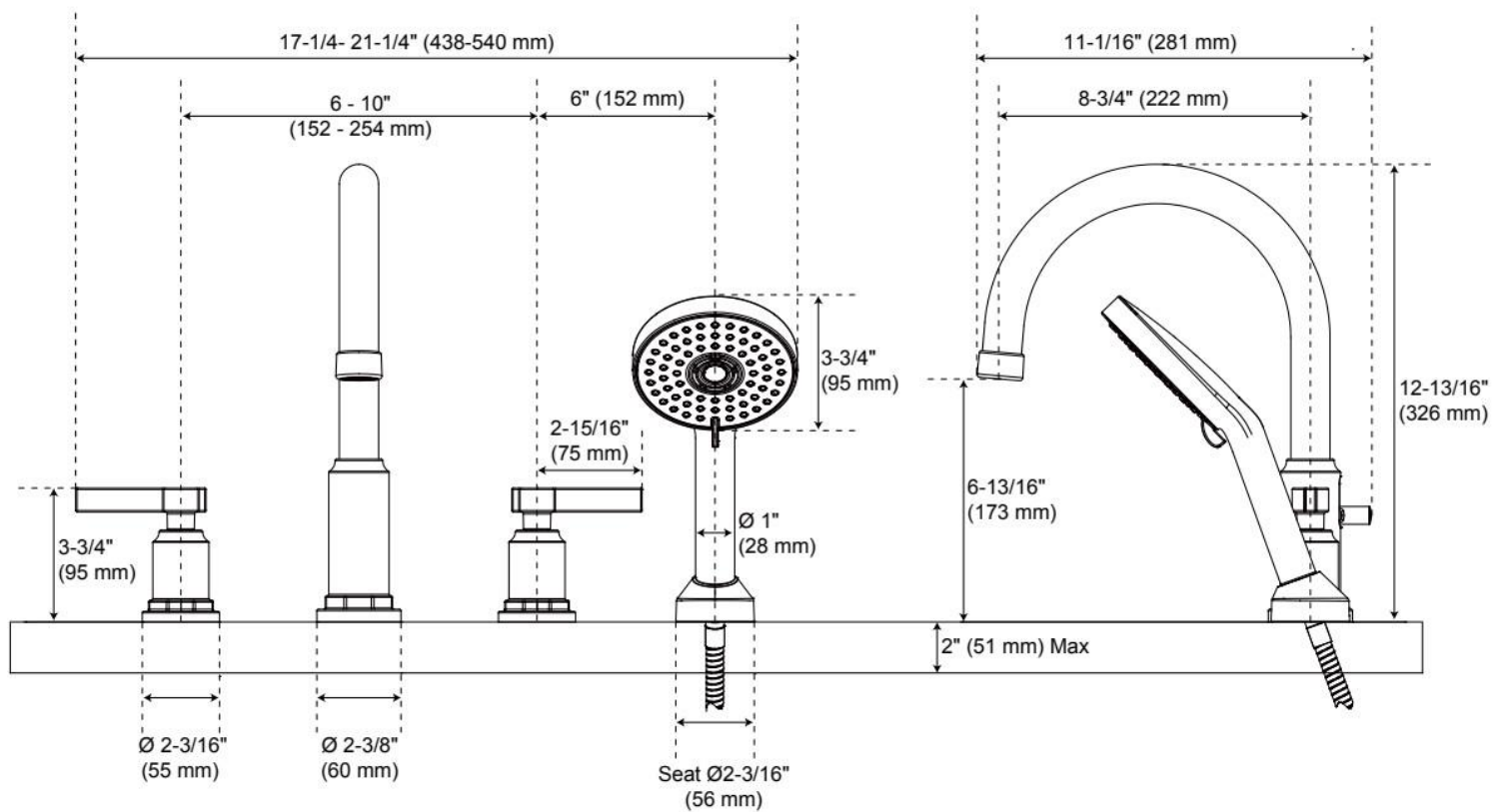
- 3-function hand shower (full spray, massage spray, full & massage spray).
- Lift rod diverter to hand shower.
- Hand shower includes factory installed backflow prevention check valve.

REVISED 5/7/2025

GREYFIELD 4-HOLE ROMAN TUB FAUCET AND HAND SHOWER

SKU: 955163

Code: SHGF4RTG, SH674164



REVISED 5/6/2025

4-HOLE ROMAN TUB FAUCET ROUGH-IN VALVE

SKU: 448005
Code: SH674164

FEATURES



ASME A112.18.1/CSA B125.1, Massachusetts Accepted, LISTED ID: SH674164



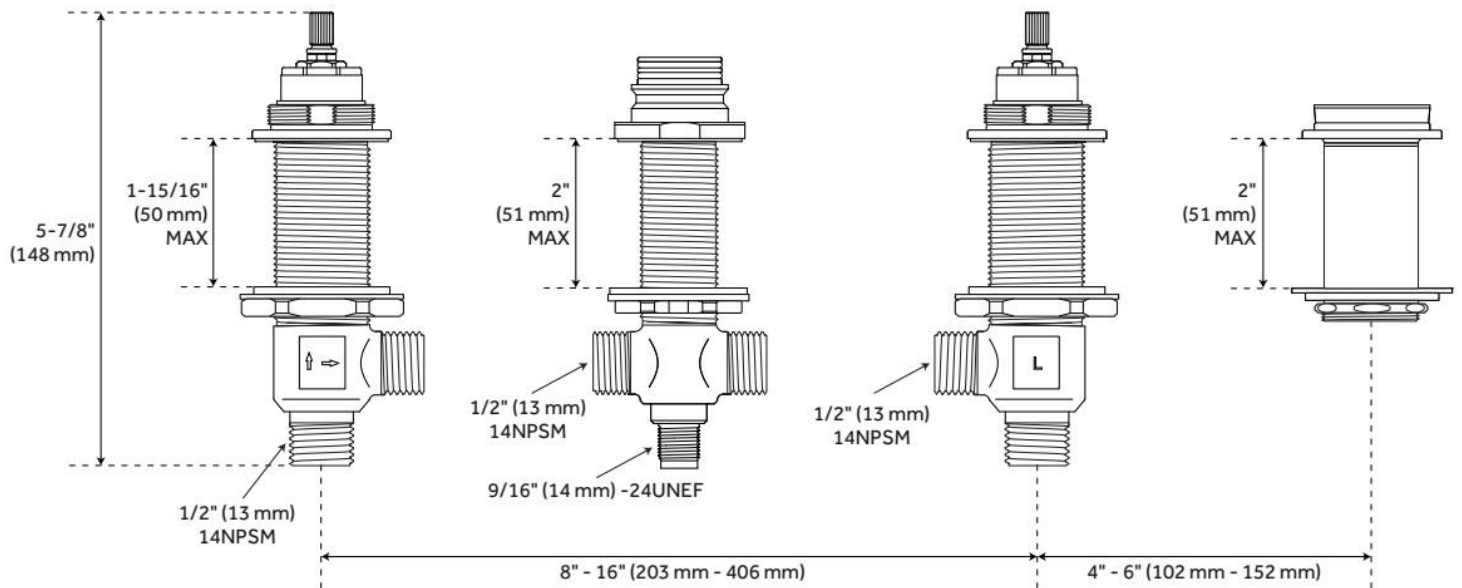
ADDITIONAL FEATURES

- 4-Hole Installation.
- Brass coupling nut.
- Faucet can be installed with variable centers from 8" - 16".

REVISED 5/6/2025

4-HOLE ROMAN TUB FAUCET ROUGH-IN VALVE

SKU: 448005
Code: SH674164



REVISED 5/6/2025