

MARCEAU THERMOSTATIC SHOWER SYSTEM WITH HAND SHOWER - CROSS HANDLES

SKU: 955187-C

Code: SHMA441004, SHMA441006, SH6103, SHHS4090G, SHH1010, SHMA441016, SH6040, SHMA441013, SHMA441015, SH6006, SH441209, SHWES2050, SHRSA123



FEATURES

Material: Metal
Shower Head Swivel: Yes
Shower Head Spray: Full
Shower Head Flow Rate: 1.75 gpm (6.6 L/min) @ 80 psi
Hand Shower Flow Rate: 1.8 gpm (6.8 L/min) @ 80 psi
Flow Rate: Rough-in Valve Capacity: 18.2 gpm (68.9 L/min) @ 80 psi
Diverter Outlets: 3
Cartridge Type: Ceramic Disc

ASME A112.18.1/CSA B125.1, ASME A112.18.2/CSA B125.2, ASSE 1016 Type P/T, CEC Listed, WaterSense by IAPMO, Massachusetts Accepted, LISTED ID: SH6103, SH6006, SH6040, SHH1010*, SHWES2050xy, SHRSA123*, SHHS4090G**, SHMA441013*, SHMA441015*, SHMA441004*, SHMA441006*, SHMA441016*, SH441209*, SHHS4090G*



ADDITIONAL FEATURES

- Metal construction for ultimate strength and durability.
- Single function shower head with easy clean nozzles.
- Three function hand shower. (full spray, massage spray and full & massage spray)
- Double spiral 60" - 72" stretchable metal shower hose.
- Included Rough-in valves:
 - Thermostatic rough-in valve features scald guard protection, high temperature limit stop, integral water stops and check valve, a ceramic cartridge, and a bronze valve body.
 - Diverter valve features a ceramic disc cartridge and brass valve body. Single-Function CALGreen Diverter Valve Cartridge that restricts water flow to one outlet at a time available. (SH6150). Optional extension kit: SH6101EXT
 - Volume control rough-in valve features a ceramic disc cartridge and brass valve body.

REVISED 6/24/2025

MARCEAU THERMOSTATIC SHOWER VALVE - CROSS HANDLE

SKU: 955201-C

Code: SHMA441013, SHMA441015, SH6004, SH6006



FEATURES

Material: Metal

Flow Rate: Rough-in Valve Capacity: 12.9 gpm (48.8 L/min) @ 80 psi, Rough-in Valve Capacity: 18.2 gpm (68.9 L/min) @ 80 psi

Cartridge Type: Thermostatic

Required for Installation: SH6006 or SH6004

ASME A112.18.1/CSA B125.1, ASSE 1016 Type P/T, Massachusetts Accepted, LISTED ID: SHMA441013*, SHMA441015*, SH6004, SH6006



ADDITIONAL FEATURES

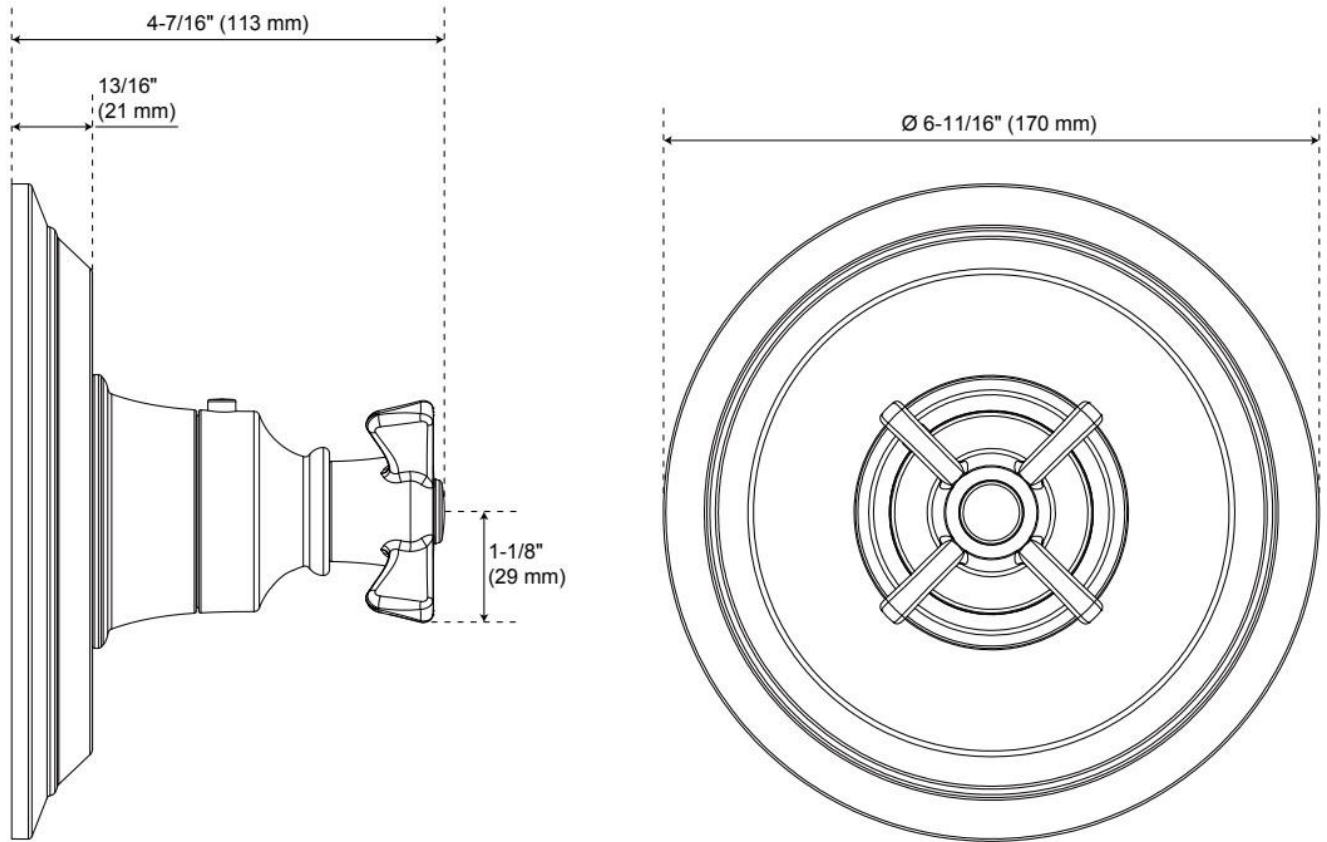
- Metal construction for ultimate strength and durability.
- May purchase with or without valve. Value required for use. (SH6004 or SH6006).
- When purchased with Rough-in Valve:
 - Bronze valve body.
 - Factory-calibrated comfort setting at 104 degrees Fahrenheit.
 - Water inlet stops and check valve.
 - Thermostatic technology keeps shower temperature ± 1 degree Celsius.

REVISED 6/17/2025

MARCEAU THERMOSTATIC SHOWER VALVE - CROSS HANDLE

SKU: 955201-C

Code: SHMA441013, SHMA441015, SH6004, SH6006



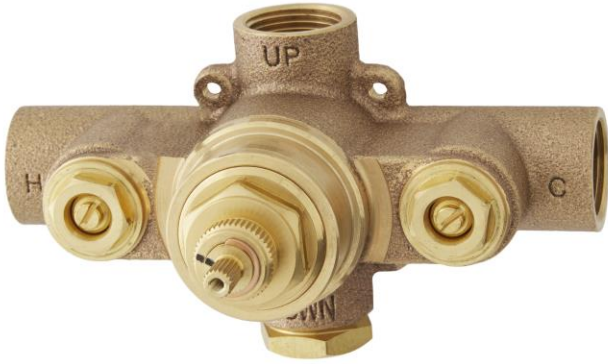
REVISED 6/17/2025

THERMOSTATIC ROUGH-IN SHOWER VALVE

SKU: 948545
Code: SH6004, SH6006

FEATURES

Cartridge Type: Thermostatic



ASME A112.18.1/CSA B125.1, ASSE 1016 Type P/T, Massachusetts Accepted, LISTED ID: SH6004, SH6006



ADDITIONAL FEATURES

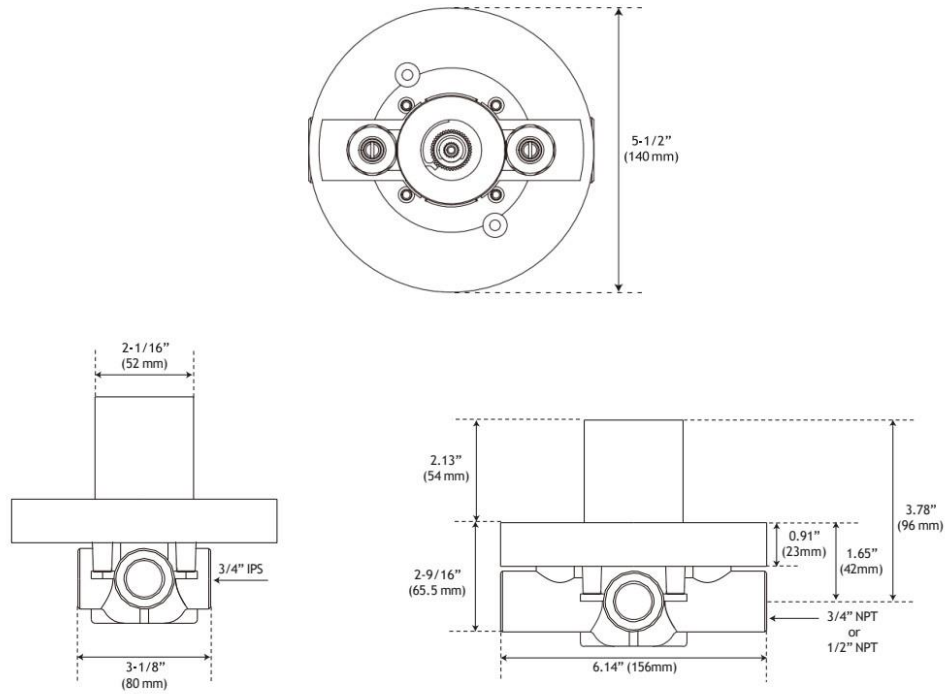
- For proper installation, requires use of volume control valve and trim.
- Bronze valve body.
- Factory-calibrated comfort setting at 104 degrees Fahrenheit.
- Water inlet stops and check valve.
- Thermostatic technology keeps shower temperature ± 1 degree Celsius.

REVISED 2/8/2025

THERMOSTATIC ROUGH-IN SHOWER VALVE

SKU: 948545

Code: SH6004, SH6006



REVISED 2/8/2025

MARCEAU IN-WALL SHOWER DIVERTER VALVE - CROSS HANDLE

SKU: 955202-C

Code: SHMA441004, SHMA441006, SH6103



FEATURES

Material: Metal

Cartridge Type: Ceramic Disc

Required for Installation: SH6103

ASME A112.18.1/CSA B125.1, ASME A112.18.2/CSA B125.2, Massachusetts Accepted, LISTED ID: SHMA441004*, SHMA441006*, SH6103



ADDITIONAL FEATURES

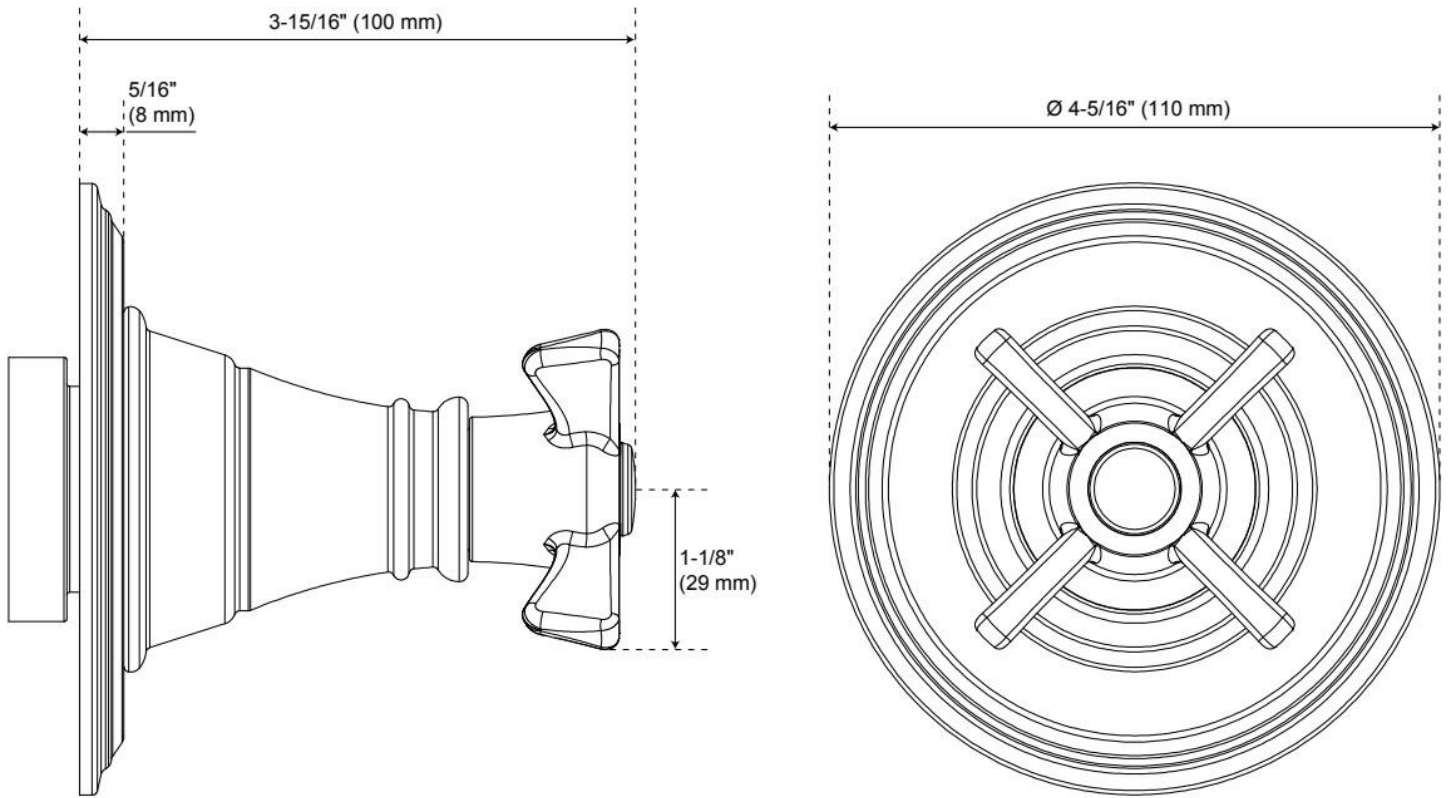
- Metal construction for ultimate strength and durability.
- May purchase with or without valve. Value required for use.(SH6103)
- When purchased with Rough-in Valve:
 - Six total settings allow for shared water flow between outlets, giving you the ability to use two functions at once.
 - Ceramic disc cartridge.
 - Not intended as a shut off valve.
 - For installations only requiring 2 outlets, the 3rd outlet may be looped into one of the existing pipes.
 - Single-Function CALGreen Diverter Valve Cartridge that restricts water flow to one outlet at a time available. (SH6150)
 - Optional extension kit: SH6101EXT*.

REVISED 6/23/2025

MARCEAU IN-WALL SHOWER DIVERTER VALVE - CROSS HANDLE

SKU: 955202-C

Code: SHMA441004, SHMA441006, SH6103



REVISED 6/23/2025

3-WAY IN-WALL DIVERTER ROUGH-IN VALVE

SKU: 953056
Code: SH6103, SH6101

FEATURES

Material: Brass



ASME A112.18.1/CSA B125.1, ASME A112.18.2/CSA B125.2, Massachusetts Accepted, LISTED ID: SH6103, SH6101



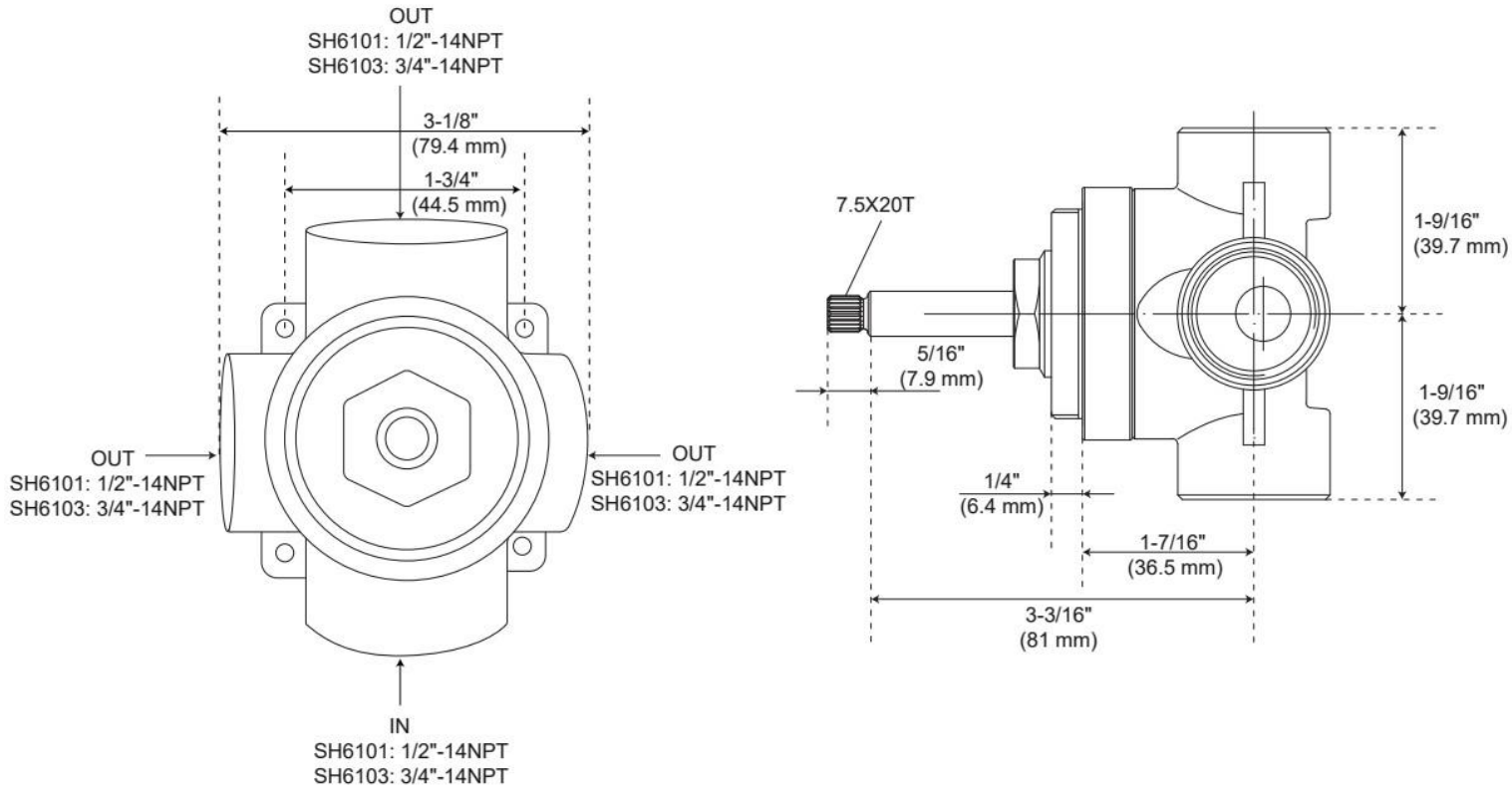
ADDITIONAL FEATURES

- Six total settings allow for shared water flow between outlets, giving you the ability to use two functions at once.
- Ceramic cartridge.
- Available Single-Function Diverter Valve Cartridge restricts water flow to one outlet at a time.(SH6150)
- Not intended as a shut off valve.
- For installations only requiring 2 outlets, the 3rd outlet may be looped into one of the existing pipes.
- Optional extension kit: SH6101EXT*.

REVISED 6/16/2025

3-WAY IN-WALL DIVERTER ROUGH-IN VALVE

SKU: 953056
Code: SH6103, SH6101



REVISED 6/16/2025

MARCEAU IN-WALL SHOWER VOLUME CONTROL VALVE - CROSS HANDLE

SKU: 955203-C

Code: SHMA441016, SHMA441006, SH6020, SH6040



FEATURES

Material: Metal

Cartridge Type: Ceramic Disc

Required for Installation: SH6020 or SH6040

ASME A112.18.1/CSA B125.1, Massachusetts Accepted, LISTED ID: SHMA441006*, SHMA441016*, SH6020, SH6040



ADDITIONAL FEATURES

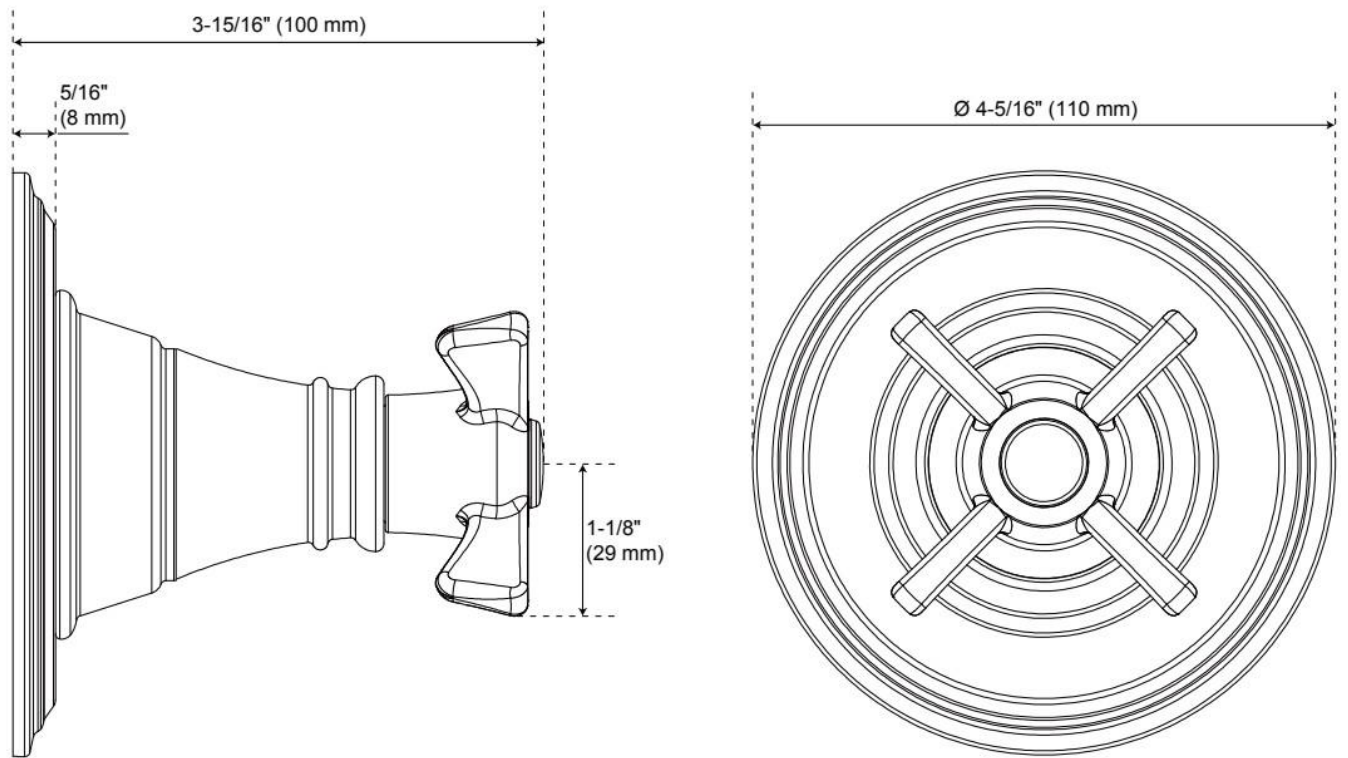
- Metal construction for ultimate strength and durability.
- May purchase with or without valve. Value required for use.(SH6020 or SH2040)
- When purchased with Rough-in Valve:
 - Bronze valve body.
 - Ceramic disc cartridge.

REVISED 6/23/2025

MARCEAU IN-WALL SHOWER VOLUME CONTROL VALVE - CROSS HANDLE

SKU: 955203-C

Code: SHMA441016, SHMA441006, SH6020, SH6040



REVISED 6/23/2025

VOLUME CONTROL ROUGH-IN VALVE

SKU: 948546
Code: SH6020, SH6040

FEATURES



ASME A112.18.1/CSA B125.1, Massachusetts Accepted, LISTED ID: SH6020, SH6040



ADDITIONAL FEATURES

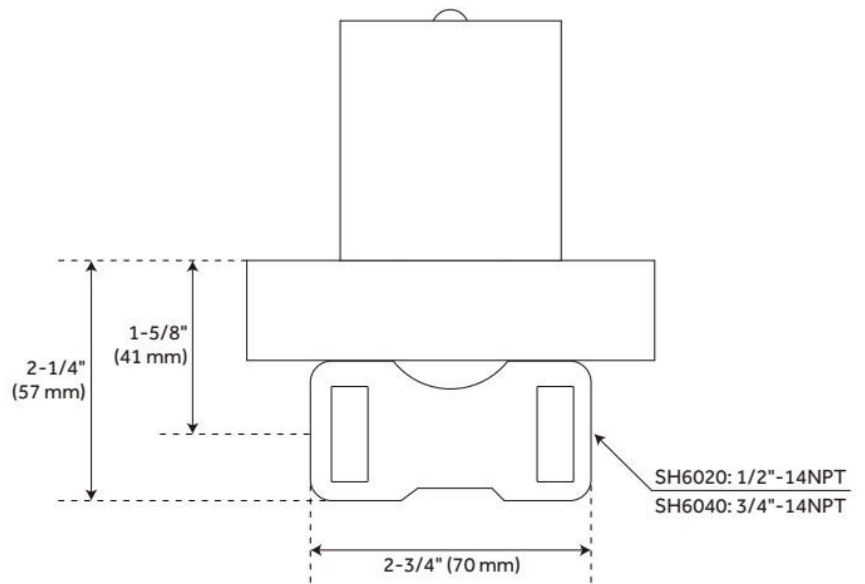
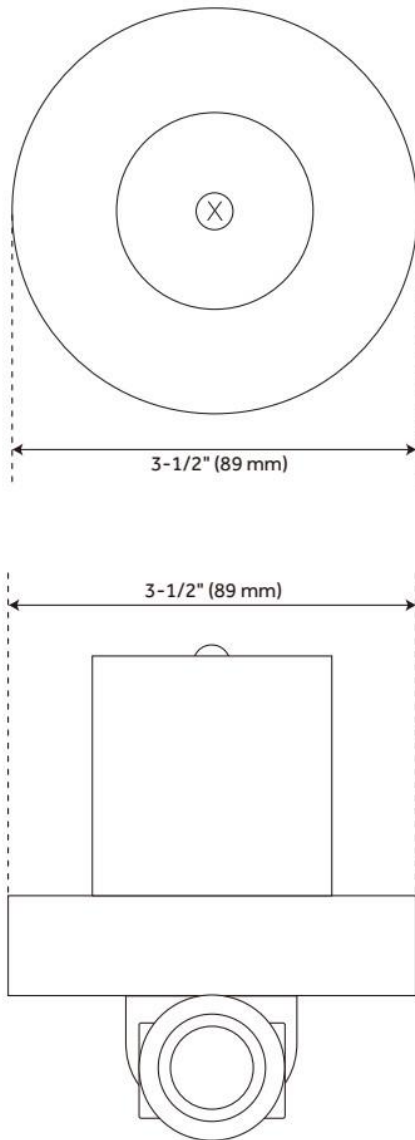
- Intended for use with a thermostatic valve and trim.
- Bronze valve body.
- Ceramic cartridge.

REVISED 2/17/2025

VOLUME CONTROL ROUGH-IN VALVE

SKU: 948546

Code: SH6020, SH6040



REVISED 2/17/2025

7" ROUND SINGLE-FUNCTION 1.75 GPM SHOWER HEAD

SKU: 955181
Code: SH441209



FEATURES

Material: ABS
Shower Head Swivel: Yes
Shower Head Spray: Full
Shower Head Flow Rate: 1.75 gpm (6.6 L/min) @ 80 psi

ASME A112.18.1/CSA B125.1, CEC Listed, CALGreen, WaterSense by IAPMO, Massachusetts Accepted, LISTED ID: SH441209*



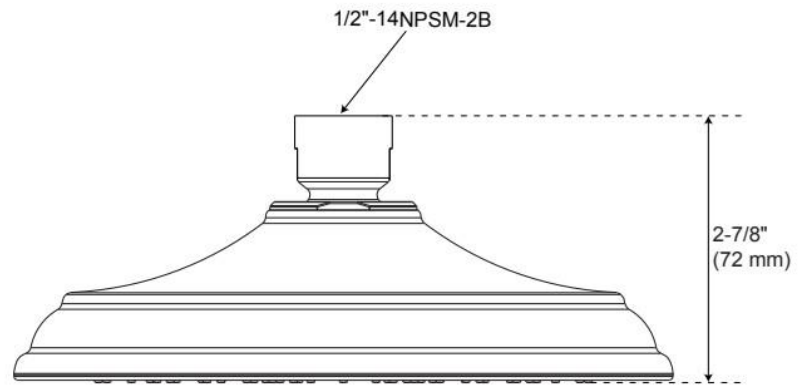
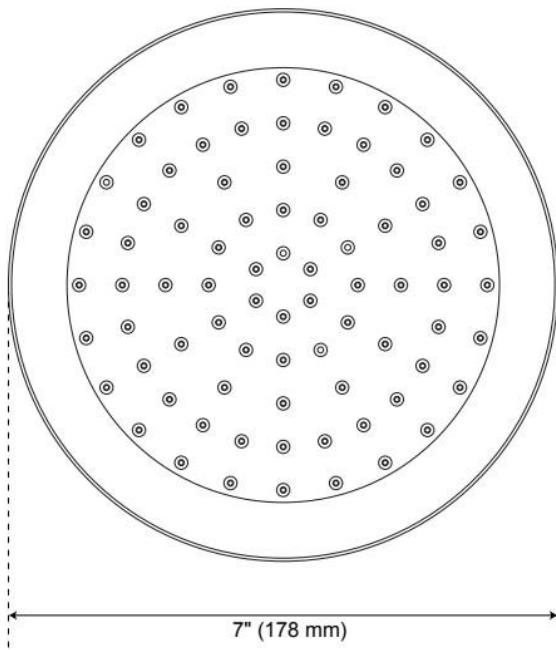
ADDITIONAL FEATURES

- Single function swivel shower head with easy clean nozzles.

REVISED 6/12/2025

7" ROUND SINGLE-FUNCTION 1.75 GPM SHOWER HEAD

SKU: 955181
Code: SH441209



REVISED 6/12/2025

SWIVEL WATER SUPPLY ELBOW AND BRACKET FOR HAND SHOWER

SKU: 948936

Code: SHWES2050, SH485446, SH485535

FEATURES

Installation Type: Wall Mount



ASME A112.18.1/CSA B125.1, LISTED ID: SHWES2050xy



ADDITIONAL FEATURES

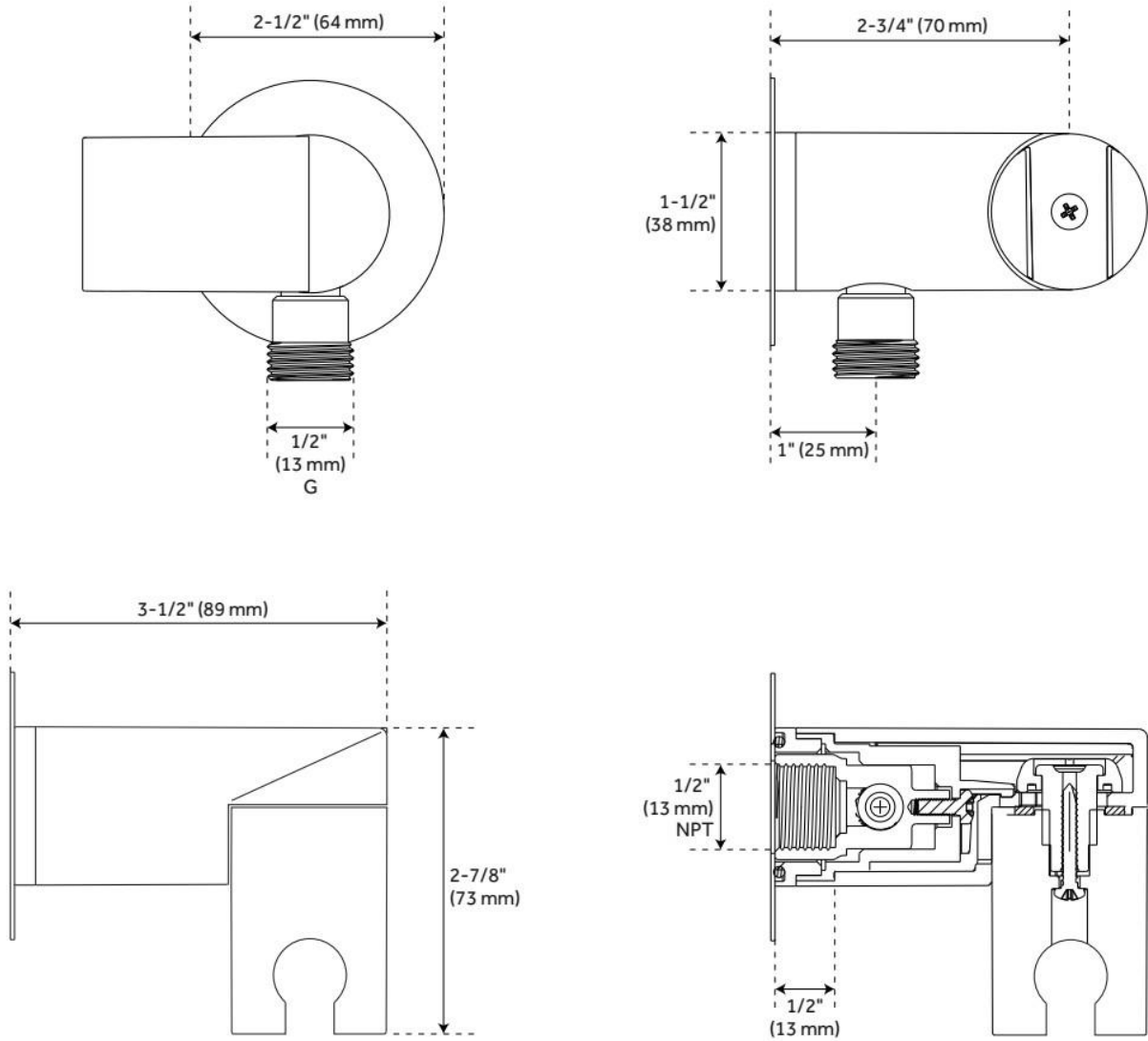
- 1/2" Female wall connection.
- 1/2" Male hose connection.
- Brass inlet/outlet, ABS body.

REVISED 3/18/2025

SWIVEL WATER SUPPLY ELBOW AND BRACKET FOR HAND SHOWER

SKU: 948936

Code: SHWES2050, SH485446, SH485535



REVISED 3/18/2025

PINECREST HAND SHOWER

SKU: 948929
Code: SHHS4090G

FEATURES

Material: ABS

Hand Shower Spray: Full, Massage, Massage + Full

Hand Shower Flow Rate: 1.8 gpm (6.8 L/min) @ 80 psi



ASME A112.18.1/CSA B125.1, CEC Listed, WaterSense by IAPMO, Massachusetts Accepted, LISTED ID: SHHS4090G*, SHHS4090G**



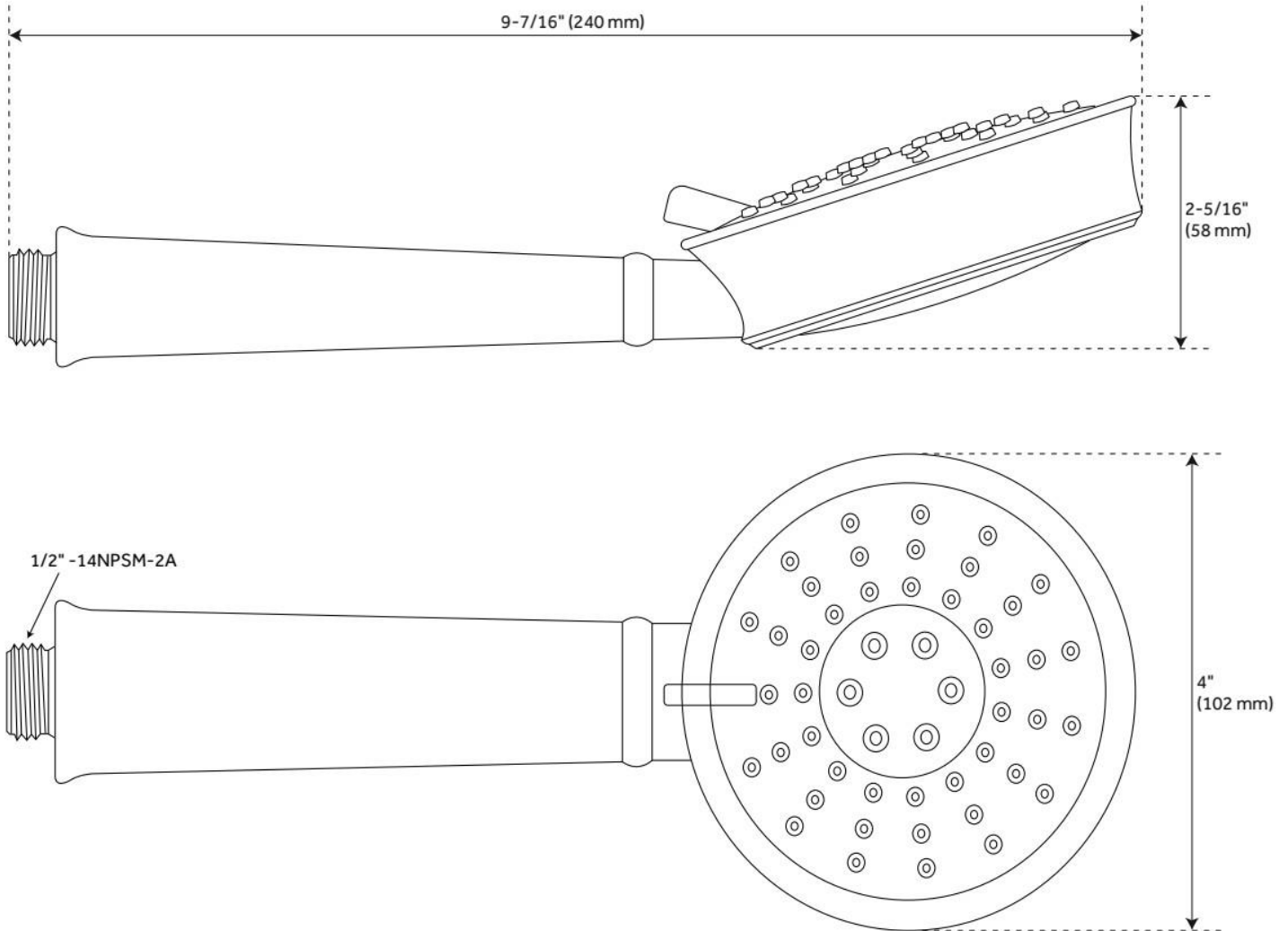
ADDITIONAL FEATURES

- 3 function hand shower (full spray, massage spray, full & massage spray).
- Easy-clean spray nozzles.
- Factory installed backflow prevention check valve.
- Hose sold separately.

REVISED 2/19/2025

PINECREST HAND SHOWER

SKU: 948929
Code: SHHS4090G



REVISED 2/19/2025

60" STRETCHABLE METAL HAND SHOWER HOSE

SKU: 948938

Code: SHH1010, SH484205, SH485500, SHH1010PB

FEATURES

Connection Type: 1/2" IPS



ASME A112.18.1/CSA B125.1, Massachusetts Accepted, LISTED ID: SHH1010*



ADDITIONAL FEATURES

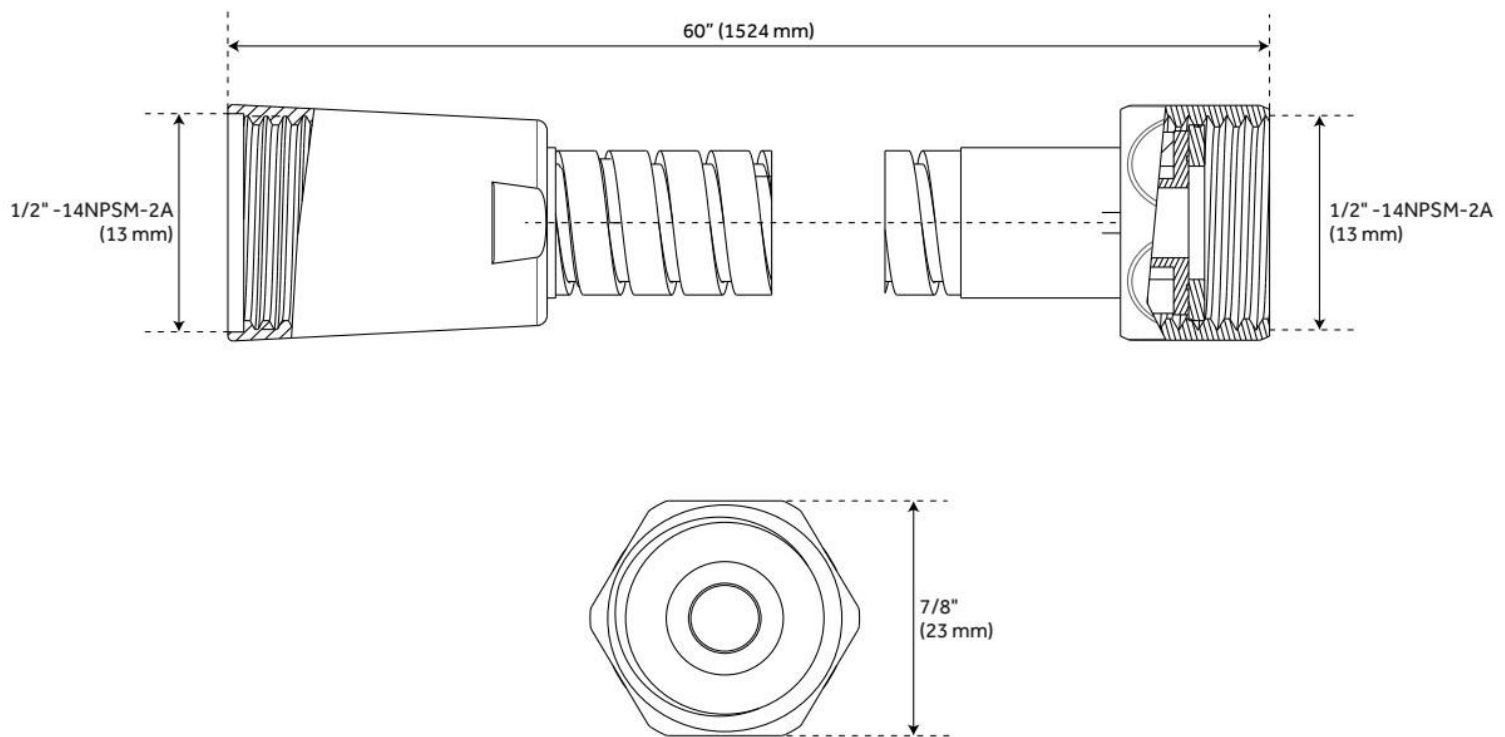
- 60" - 72" stretchable metal shower hose.
- Double spiral construction.
- Metal conical nut.

REVISED 5/24/2024

60" STRETCHABLE METAL HAND SHOWER HOSE

SKU: 948938

Code: SHH1010, SH484205, SH485500, SHH1010PB



REVISED 5/24/2024

WALL-MOUNT RAINFALL SHOWER ARM

SKU: 948955

Code: SHRSA123, SHRSA181, SH485514, SHRSA150

FEATURES

Material: Stainless Steel

Connection Type: 1/2" NPT



ASME A112.18.1/CSA B125.1, Massachusetts Accepted, LISTED ID: SHRSA123*, SHRSA181*, SHRSA150*



ADDITIONAL FEATURES

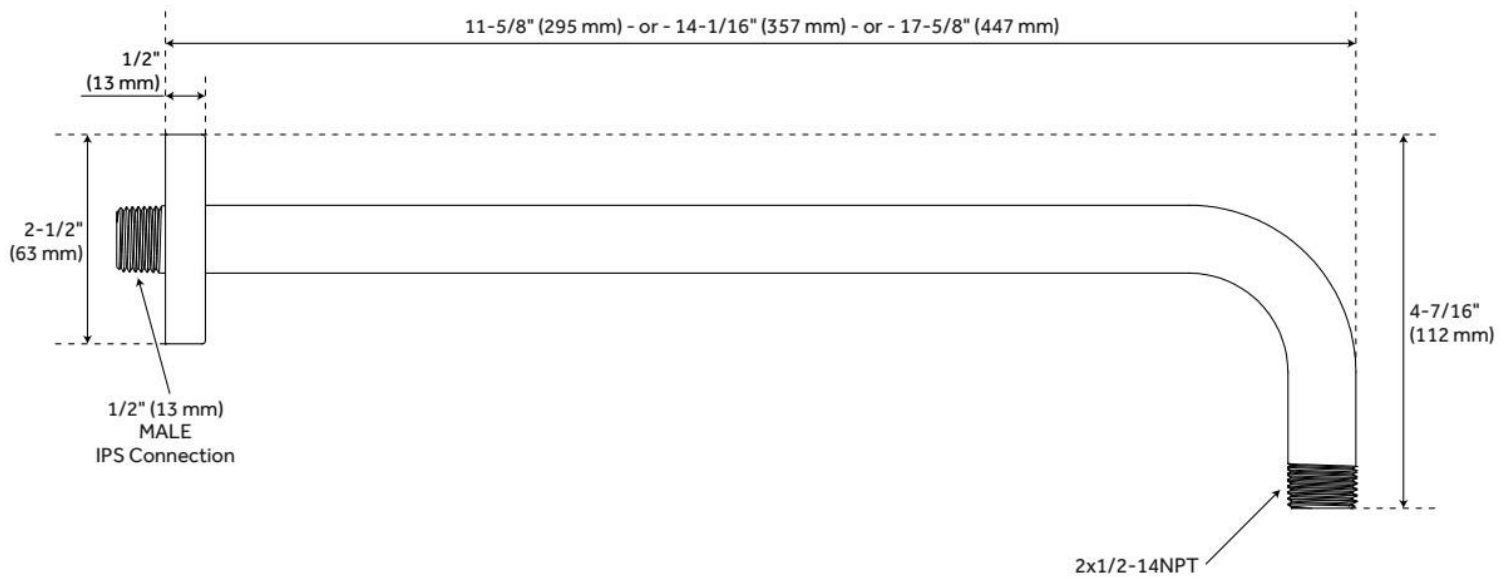
- All dimensions are ($\pm 1/2$ ").
- Escutcheon included.

REVISED 12/3/2024

WALL-MOUNT RAINFALL SHOWER ARM

SKU: 948955

Code: SHRSA123, SHRSA181, SH485514, SHRSA150



REVISED 12/3/2024