

MARCEAU DUAL CONTROL PRESSURE BALANCE SHOWER SYSTEM WITH SLIDE BAR AND HAND

SKU: 955196-C

Code: SHMA441020, SH6001, SH441209, SHRSA123, SHH1010, SHWE2040, SHMA441004, SHMA441006, SH6103, SHHS4090G, SHSB3010



FEATURES

- Material: Metal
- Shower Head Swivel: Yes
- Shower Head Spray: Full
- Shower Head Flow Rate: 1.75 gpm (6.6 L/min) @ 80 psi
- Hand Shower Flow Rate: 1.8 gpm (6.8 L/min) @ 80 psi
- Flow Rate: Rough-in Valve Capacity - 6.21 gpm (23.5L/min) at 80 psi
- Diverter Outlets: 3
- Cartridge Type: Ceramic Disc

ASME A112.18.1/CSA B125.1, ASME A112.18.2/CSA B125.2, CEC Listed, WaterSense by IAPMO, Massachusetts Accepted, LISTED ID: SH6103, SHWE2040*, SHH1010*, SHRSA123*, SHHS4090G**, SHMA441020*, SH6001, SHMA441006*, SH441209*, SHHS4090G*



ADDITIONAL FEATURES

- Metal construction for ultimate strength and durability.
- Single function shower head with easy clean nozzles.
- Three function hand shower. (full spray, massage spray and full & massage spray)
- Double spiral 60" - 72" stretchable metal shower hose.
- 30" adjustable angle slide bar for hand shower mount.
- Included Rough-in valves:
 - Dual control pressure balance valve features a one-piece ceramic disc cartridge design for ease of maintenance, back-to-back capability, cast bronze valve body, adjustable temperature limit stop, a quick remove plaster guard, easy mounting brackets and integral stops. Optional air test cap available (ACF4001AIR)
 - Diverter valve features a ceramic disc cartridge and brass valve body. Single-Function CALGreen Diverter Valve Cartridge that restricts water flow to one outlet at a time available. (SH6150)
 - Optional extension kit: SH6101EXT.

REVISED 6/25/2025

7" ROUND SINGLE-FUNCTION 1.75 GPM SHOWER HEAD

SKU: 955181
Code: SH441209



FEATURES

Material: ABS
Shower Head Swivel: Yes
Shower Head Spray: Full
Shower Head Flow Rate: 1.75 gpm (6.6 L/min) @ 80 psi

ASME A112.18.1/CSA B125.1, CEC Listed, CALGreen, WaterSense by IAPMO, Massachusetts Accepted, LISTED ID: SH441209*



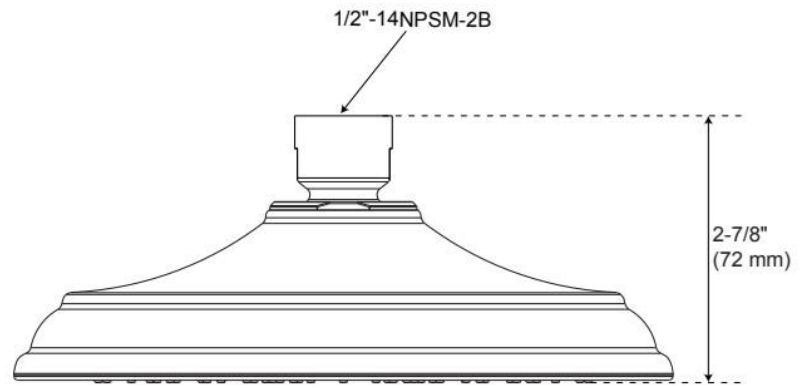
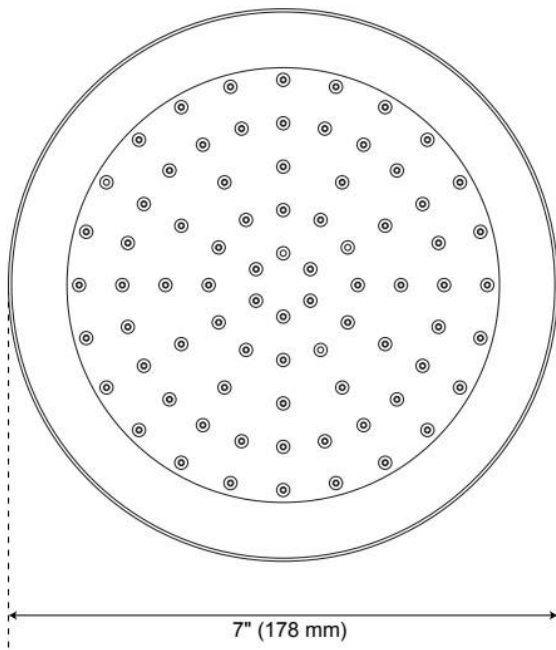
ADDITIONAL FEATURES

- Single function swivel shower head with easy clean nozzles.

REVISED 6/12/2025

7" ROUND SINGLE-FUNCTION 1.75 GPM SHOWER HEAD

SKU: 955181
Code: SH441209



REVISED 6/12/2025

MARCEAU DUAL CONTROL PRESSURE BALANCE SHOWER TRIM - CROSS HANDLES

SKU: 955200-C

Code: SHMA441020, SH6001



FEATURES

Material: Metal

Flow Rate: Rough-in Valve Capacity - 6.21 gpm (23.5L/min) at 80 psi

Cartridge Type: Ceramic Disc

Required for Installation: SH6001

ASME A112.18.1/CSA B125.1, ICC/ANSI A117.1, Massachusetts Accepted, LISTED ID: SHMA441020*, SH6001



ADDITIONAL FEATURES

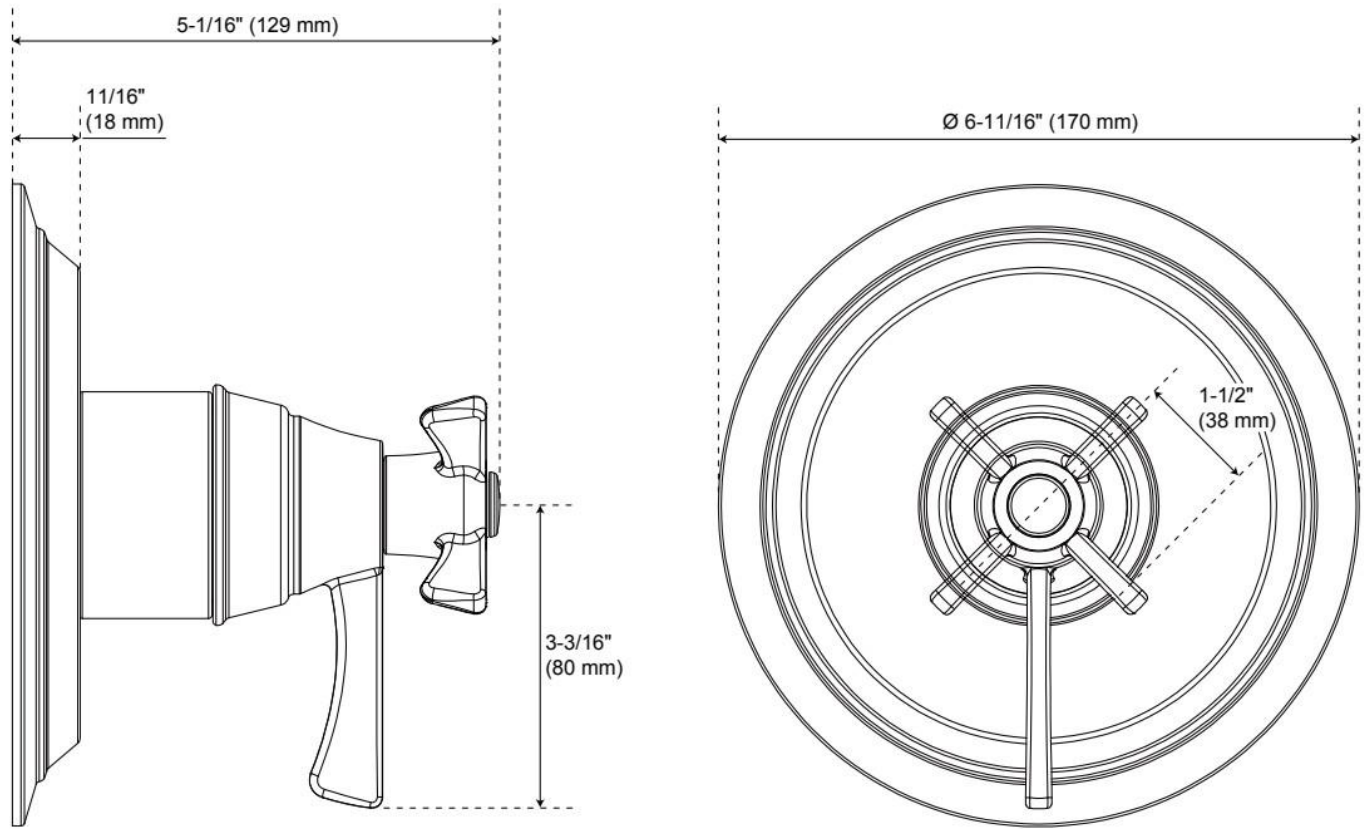
- Metal construction for ultimate strength and durability.
- May purchase with or without valve. Value required for use. (SH6001)
- When purchased with Rough-in Valve:
 - Dual control pressure balance valve with integral stops.
 - One-piece ceramic disc cartridge design for ease of maintenance.
 - Back-to-back capability.
 - Adjustable temperature limit stop.
 - Quick remove plaster guard.
 - Easy mounting brackets.
 - Optional air test cap available (ACF4001AIR)

REVISED 6/12/2025

MARCEAU DUAL CONTROL PRESSURE BALANCE SHOWER TRIM - CROSS HANDLES

SKU: 955200-C

Code: SHMA441020, SH6001



REVISED 6/12/2025

DUAL CONTROL PRESSURE BALANCE ROUGH-IN VALVE

SKU: 559885
Code: SH6001



FEATURES

Material: Metal
Flow Rate: Rough-in Valve Capacity - 6.21 gpm (23.5L/min) at 80 psi
Cartridge Type: Ceramic Disc

Optional Accessory: ACF4001AIR

ASME A112.18.1/CSA B125.1, Massachusetts Accepted, LISTED ID: SH6001



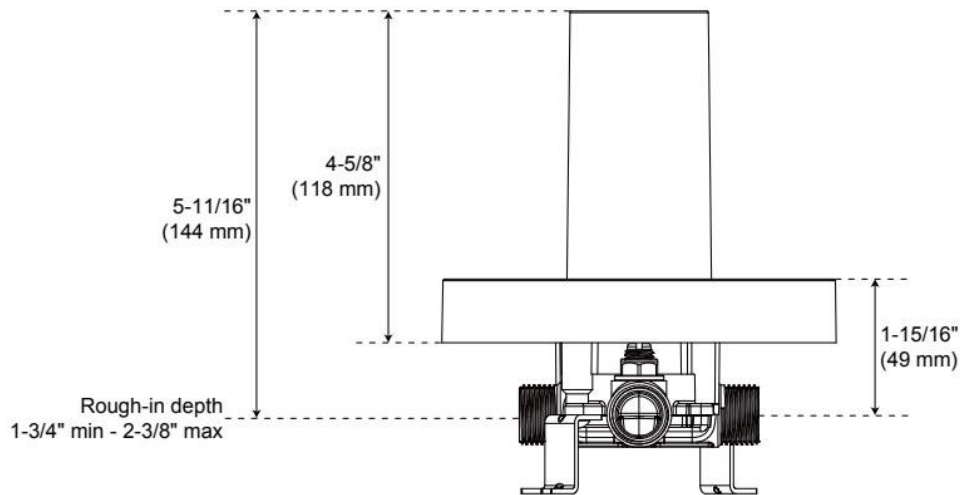
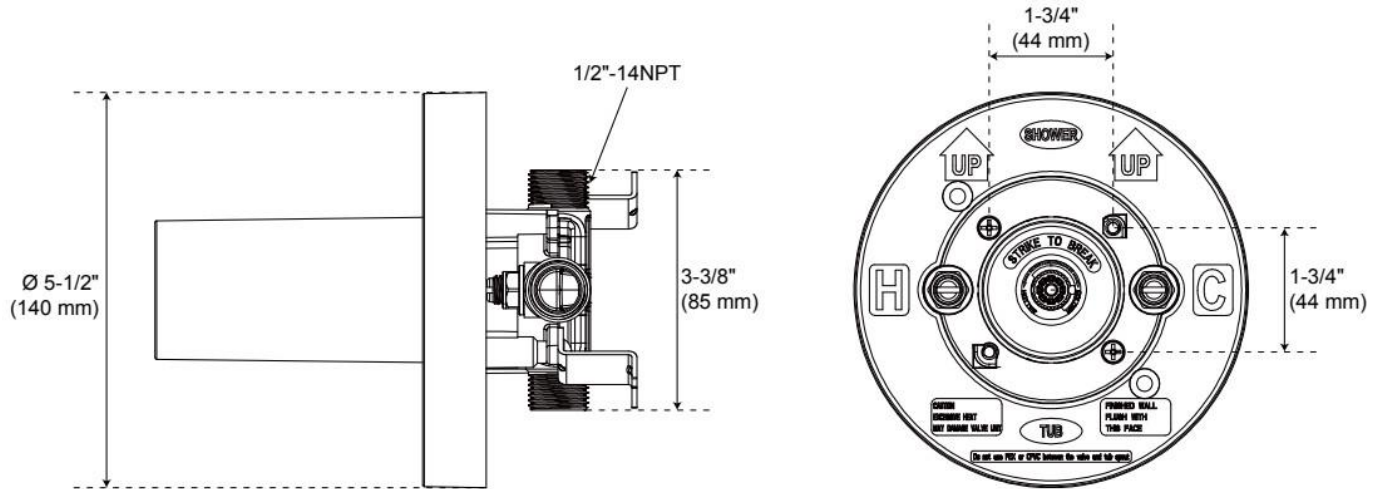
ADDITIONAL FEATURES

- Dual control pressure balance valve with integral stops.
- One-piece ceramic disc cartridge design for ease of maintenance.
- Back-to-back capability.
- Adjustable temperature limit stop.
- Quick remove plaster guard.
- Easy mounting brackets.
- Optional air test cap available (ACF4001AIR)

REVISED 6/12/2025

DUAL CONTROL PRESSURE BALANCE ROUGH-IN VALVE

SKU: 559885
Code: SH6001



REVISED 6/12/2025

MARCEAU IN-WALL SHOWER DIVERTER VALVE - CROSS HANDLE

SKU: 955202-C

Code: SHMA441004, SHMA441006, SH6103



FEATURES

Material: Metal

Cartridge Type: Ceramic Disc

Required for Installation: SH6103

ASME A112.18.1/CSA B125.1, ASME A112.18.2/CSA B125.2, Massachusetts Accepted, LISTED ID: SHMA441004*, SHMA441006*, SH6103



ADDITIONAL FEATURES

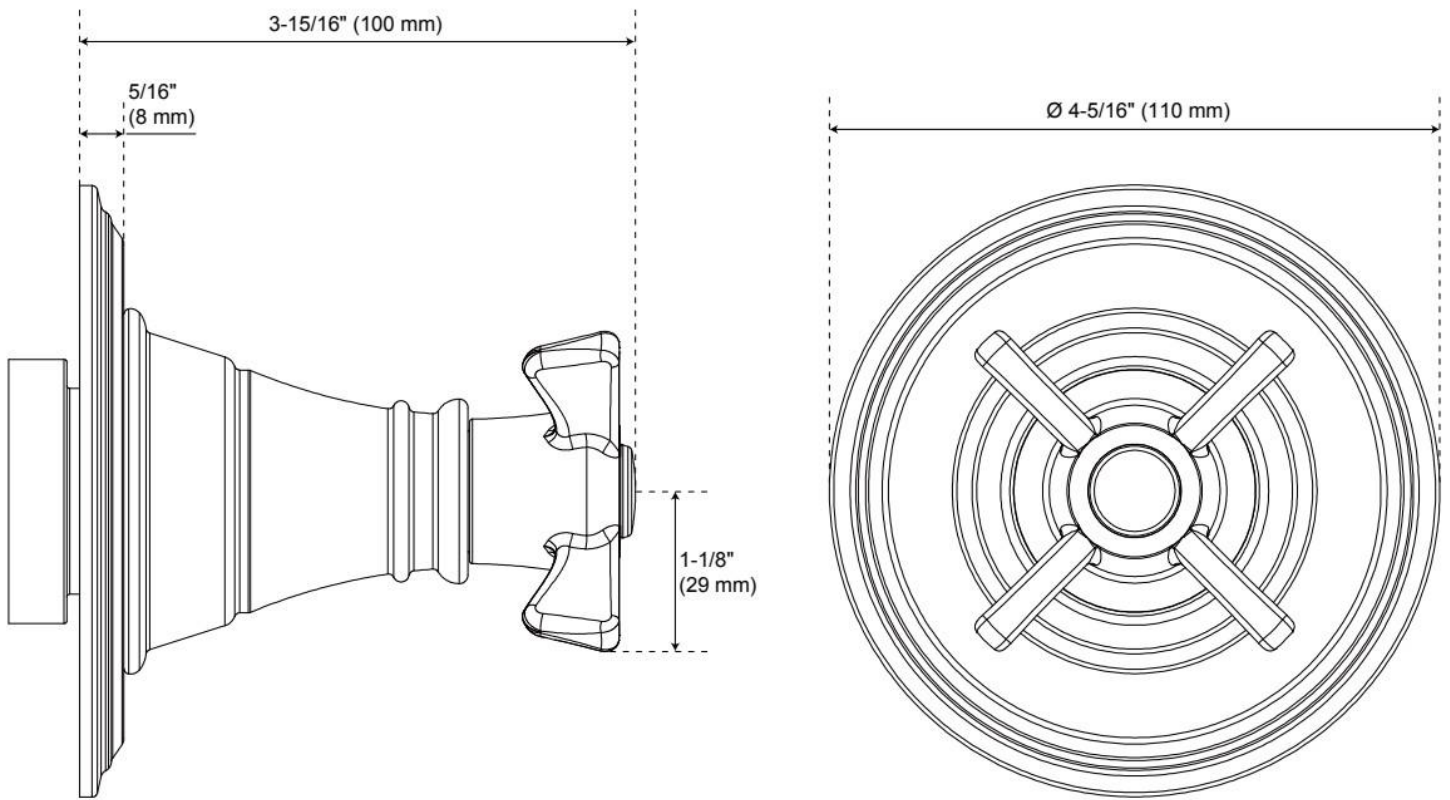
- Metal construction for ultimate strength and durability.
- May purchase with or without valve. Value required for use.(SH6103)
- When purchased with Rough-in Valve:
 - Six total settings allow for shared water flow between outlets, giving you the ability to use two functions at once.
 - Ceramic disc cartridge.
 - Not intended as a shut off valve.
 - For installations only requiring 2 outlets, the 3rd outlet may be looped into one of the existing pipes.
 - Single-Function CALGreen Diverter Valve Cartridge that restricts water flow to one outlet at a time available. (SH6150)
 - Optional extension kit: SH6101EXT*.

REVISED 6/23/2025

MARCEAU IN-WALL SHOWER DIVERTER VALVE - CROSS HANDLE

SKU: 955202-C

Code: SHMA441004, SHMA441006, SH6103



REVISED 6/23/2025

3-WAY IN-WALL DIVERTER ROUGH-IN VALVE

SKU: 953056
Code: SH6103, SH6101

FEATURES

Material: Brass



ASME A112.18.1/CSA B125.1, ASME A112.18.2/CSA B125.2, Massachusetts Accepted, LISTED ID: SH6103, SH6101



ADDITIONAL FEATURES

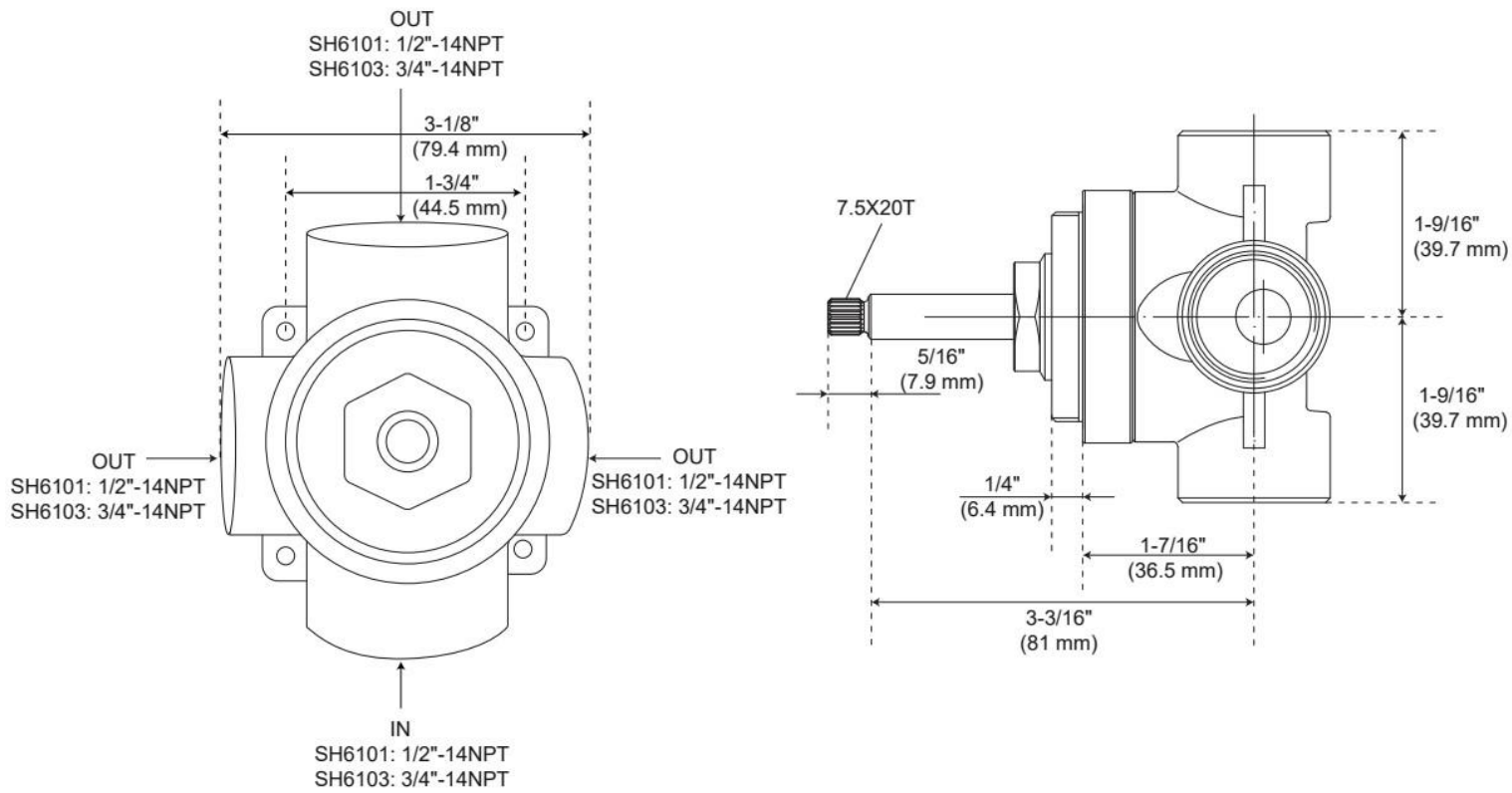
- Six total settings allow for shared water flow between outlets, giving you the ability to use two functions at once.
- Ceramic cartridge.
- Available Single-Function Diverter Valve Cartridge restricts water flow to one outlet at a time.(SH6150)
- Not intended as a shut off valve.
- For installations only requiring 2 outlets, the 3rd outlet may be looped into one of the existing pipes.
- Optional extension kit: SH6101EXT*.

REVISED 6/16/2025

3-WAY IN-WALL DIVERTER ROUGH-IN VALVE

SKU: 953056

Code: SH6103, SH6101



REVISED 6/16/2025

WALL-MOUNT RAINFALL SHOWER ARM

SKU: 948955

Code: SHRSA123, SHRSA181, SH485514, SHRSA150

FEATURES

Material: Stainless Steel

Connection Type: 1/2" NPT



ASME A112.18.1/CSA B125.1, Massachusetts Accepted, LISTED ID: SHRSA123*, SHRSA181*, SHRSA150*



ADDITIONAL FEATURES

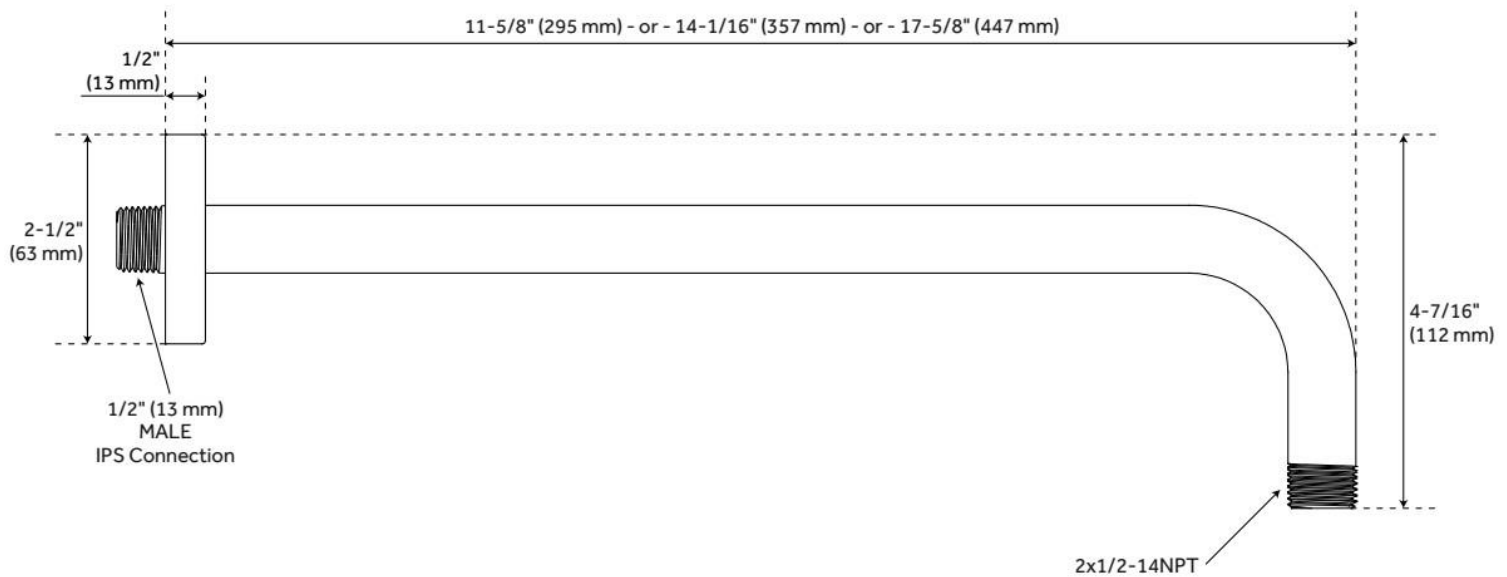
- All dimensions are ($\pm 1/2$ ").
- Escutcheon included.

REVISED 12/3/2024

WALL-MOUNT RAINFALL SHOWER ARM

SKU: 948955

Code: SHRSA123, SHRSA181, SH485514, SHRSA150



REVISED 12/3/2024

PINECREST HAND SHOWER

SKU: 948929
Code: SHHS4090G

FEATURES

Material: ABS

Hand Shower Spray: Full, Massage, Massage + Full

Hand Shower Flow Rate: 1.8 gpm (6.8 L/min) @ 80 psi



ASME A112.18.1/CSA B125.1, CEC Listed, WaterSense by IAPMO, Massachusetts Accepted, LISTED ID: SHHS4090G*, SHHS4090G**



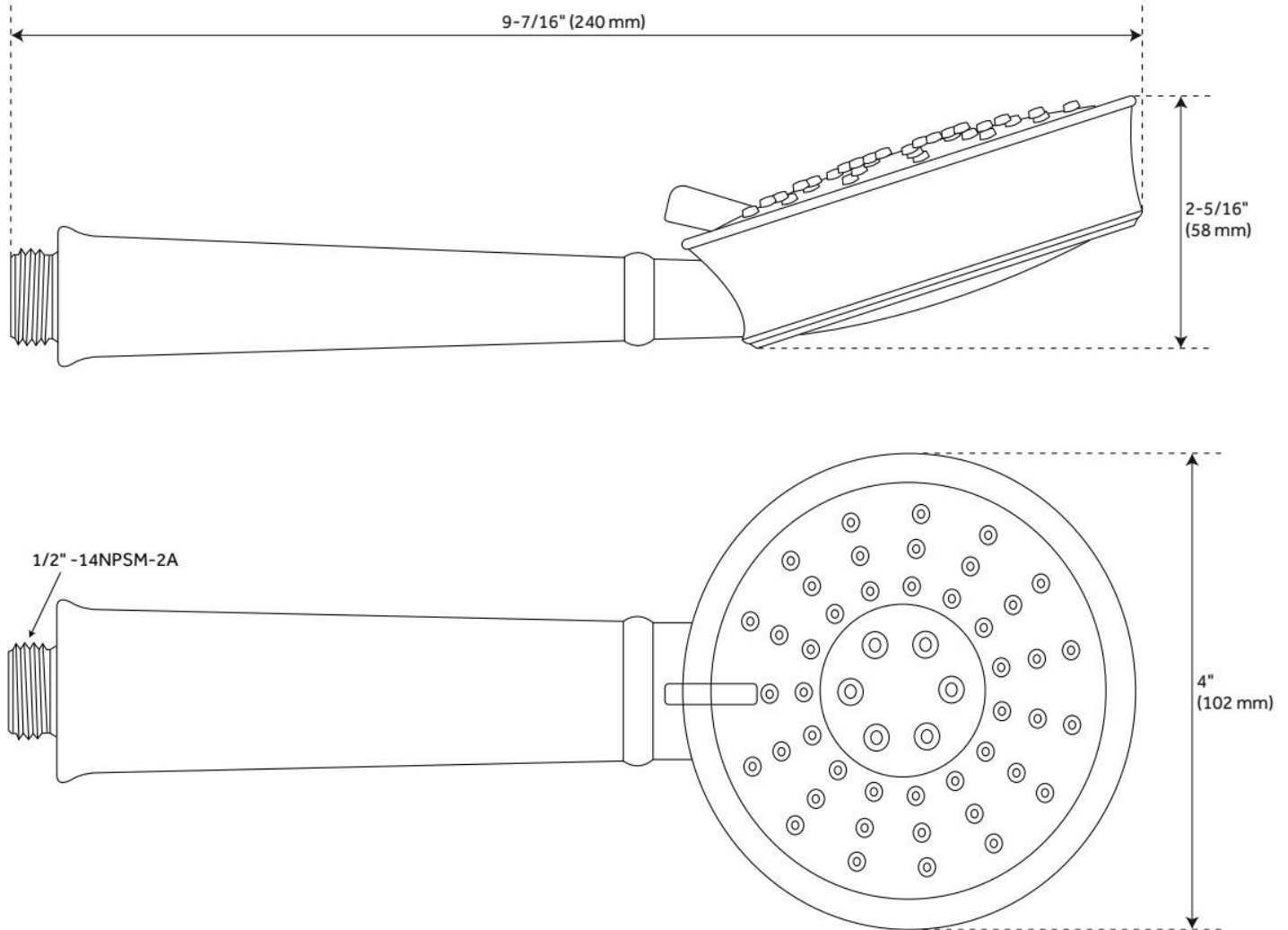
ADDITIONAL FEATURES

- 3 function hand shower (full spray, massage spray, full & massage spray).
- Easy-clean spray nozzles.
- Factory installed backflow prevention check valve.
- Hose sold separately.

REVISED 2/19/2025

PINECREST HAND SHOWER

SKU: 948929
Code: SHHS4090G



REVISED 2/19/2025

60" STRETCHABLE METAL HAND SHOWER HOSE

SKU: 948938

Code: SHH1010, SH484205, SH485500, SHH1010PB

FEATURES

Connection Type: 1/2" IPS



ASME A112.18.1/CSA B125.1, Massachusetts Accepted, LISTED ID: SHH1010*



ADDITIONAL FEATURES

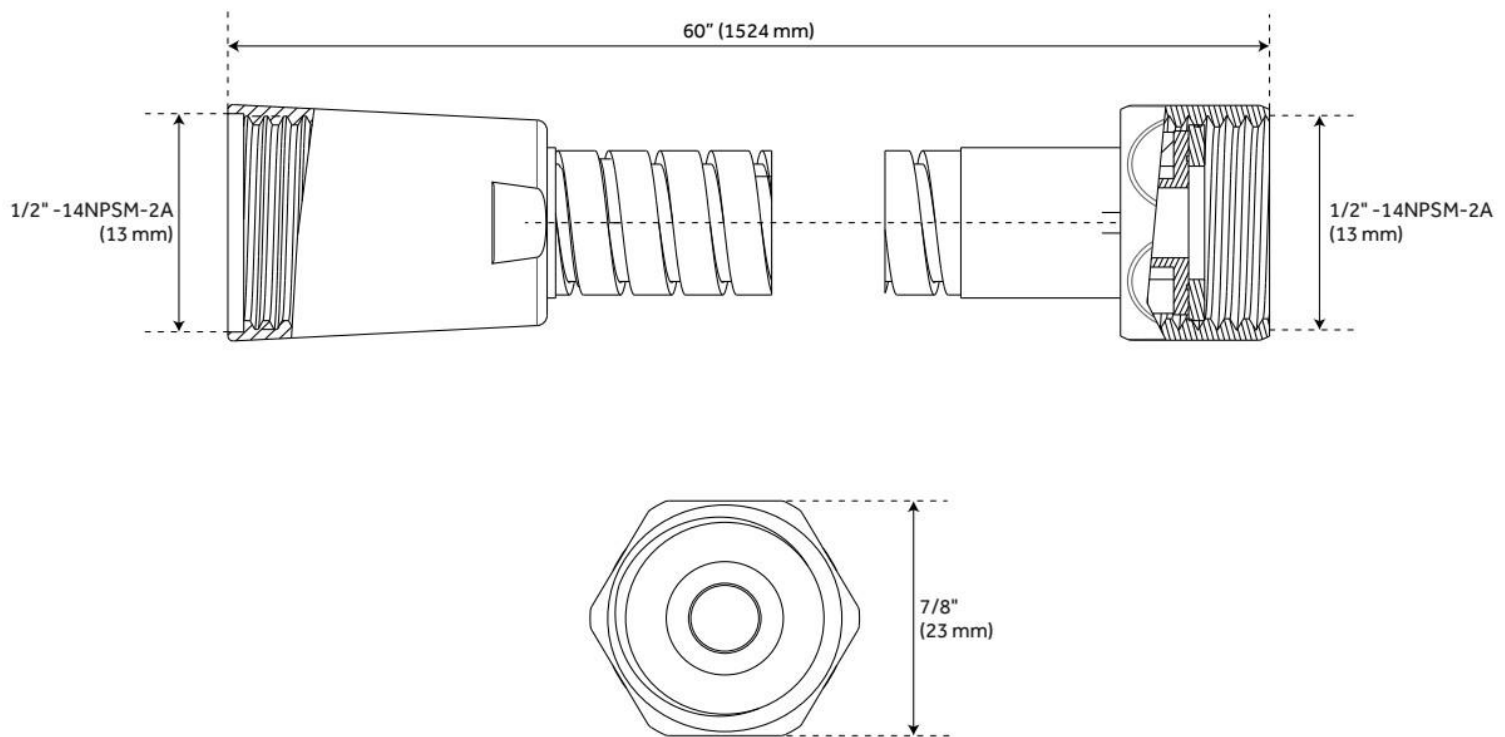
- 60" - 72" stretchable metal shower hose.
- Double spiral construction.
- Metal conical nut.

REVISED 5/24/2024

60" STRETCHABLE METAL HAND SHOWER HOSE

SKU: 948938

Code: SHH1010, SH484205, SH485500, SHH1010PB



REVISED 5/24/2024

CONTEMPORARY ROUND WATER SUPPLY ELBOW FOR HAND SHOWER

SKU: 932365

Code: SHWE2040, SH417826, SH484207, SH485502



FEATURES

Material: Brass

Connection Type: 1/2" NPT

ASME A112.18.1/CSA B125.1, LISTED ID: SHWE2040*



ADDITIONAL FEATURES

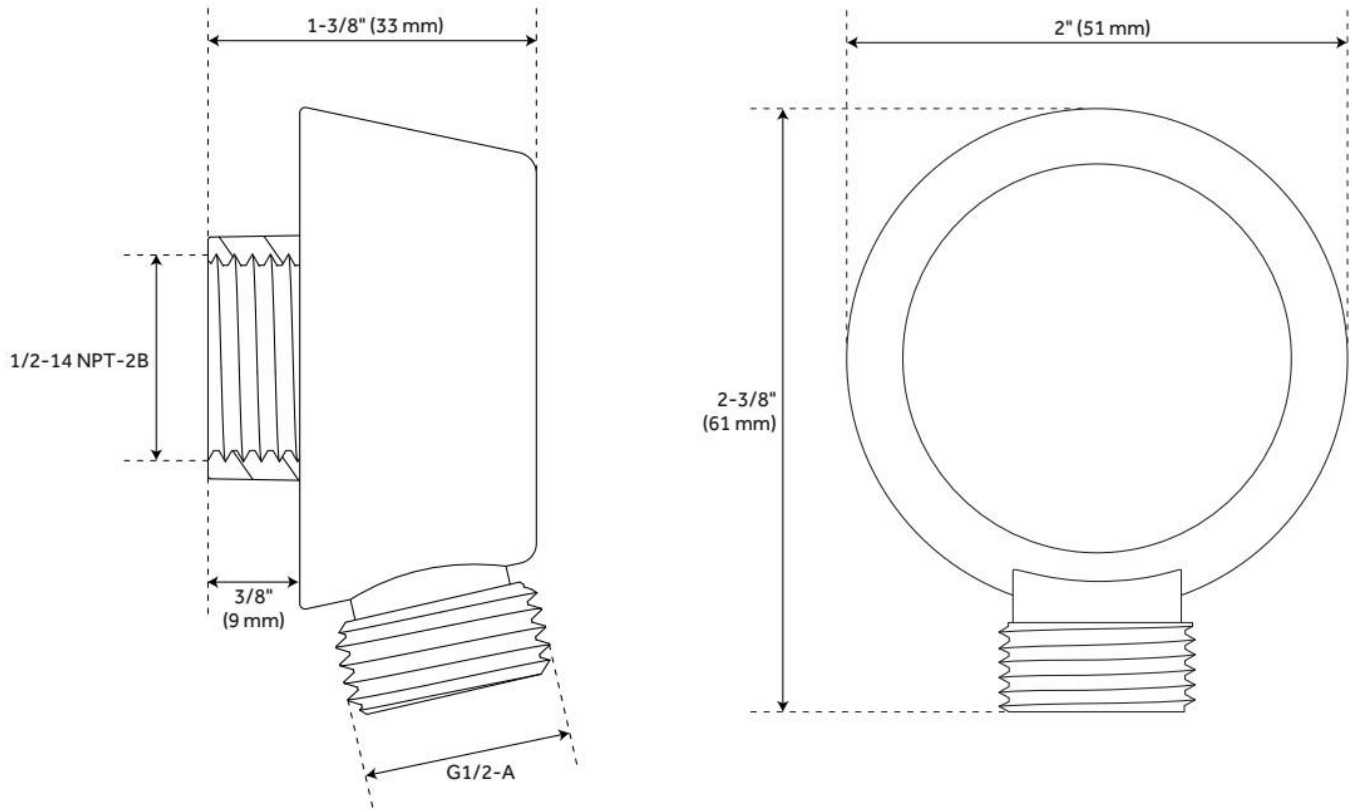
- 1/2" Female wall connection.
- 1/2" Male hose connection.

REVISED 6/5/2024

CONTEMPORARY ROUND WATER SUPPLY ELBOW FOR HAND SHOWER

SKU: 932365

Code: SHWE2040, SH417826, SH484207, SH485502



REVISED 6/5/2024

30" TRADITIONAL SLIDE BAR FOR HAND SHOWER

SKU: 948916
Code: SHSB3010



FEATURES

Material: Metal

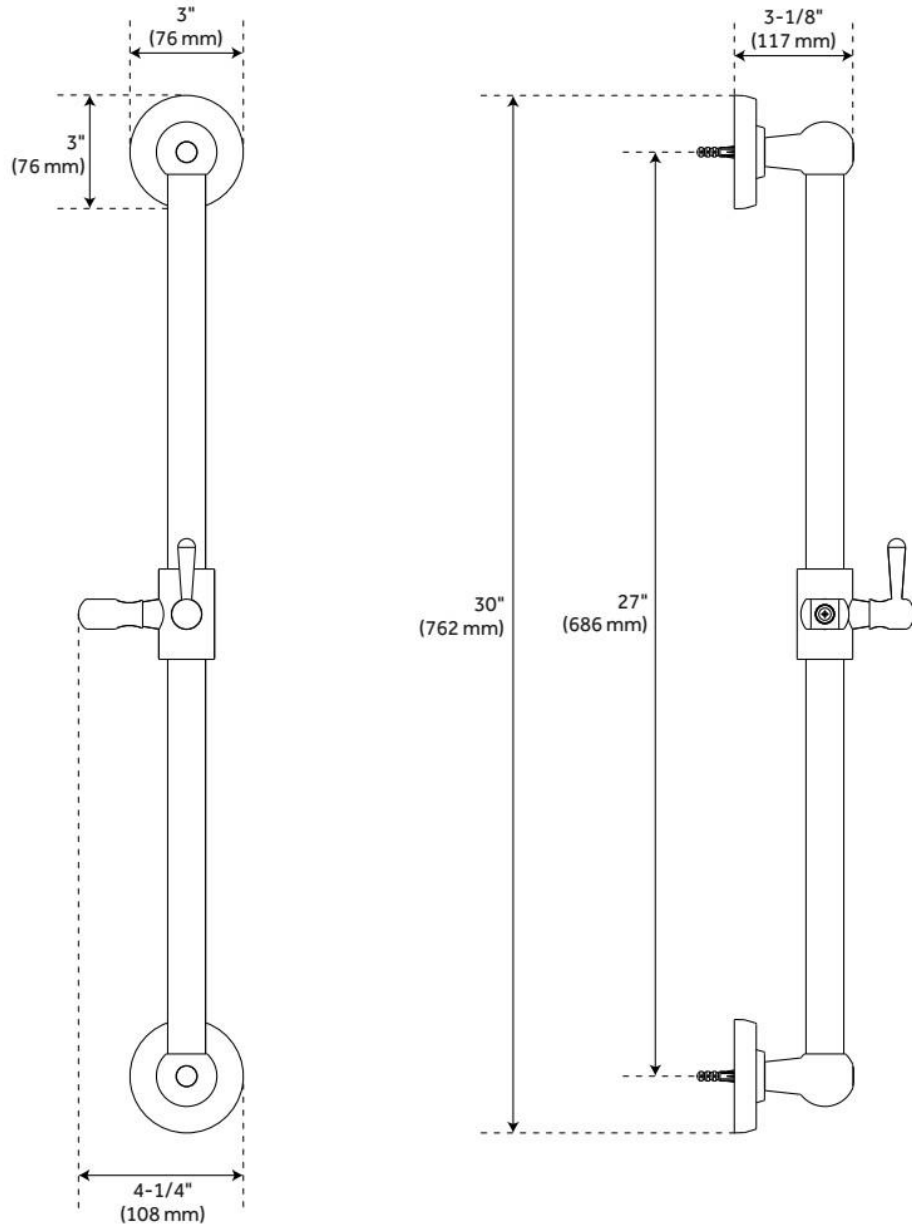
ADDITIONAL FEATURES

- Metal bar and mounting posts.
- Adjustable angle for handshower mount.

REVISED 11/22/2024

30" TRADITIONAL SLIDE BAR FOR HAND SHOWER

SKU: 948916
Code: SHSB3010



REVISED 11/22/2024