

24" ELMDALE CHARCOAL BLACK VANITY WITH RECT. UNDERMOUNT SINK - OUTLET

SKU: 955284-24-rumb

Code: SH563413, SH563414, SH563415, SH563416, SH563417, SH563418, SH563419, SH563420, SH563421



FEATURES

Material: Wood
Product Finish: Charcoal Black
Number of Doors: 2
Number of Drawers: 1
Soft-Close Hinges: Yes
Soft-Close Slides: Yes
Full Extension Drawer Slides: Yes
Dovetail Drawers: Yes
Adjustable Shelves: No
Electrical Outlet: Yes
Hardware Finish: Black
Hardware Material: Zinc
Built-In Adjusters: Yes

Massachusetts Accepted, UL-962A, CAN/CSA-C22.2 No. 308, LISTED ID: 506894, BY213-D01



ADDITIONAL FEATURES

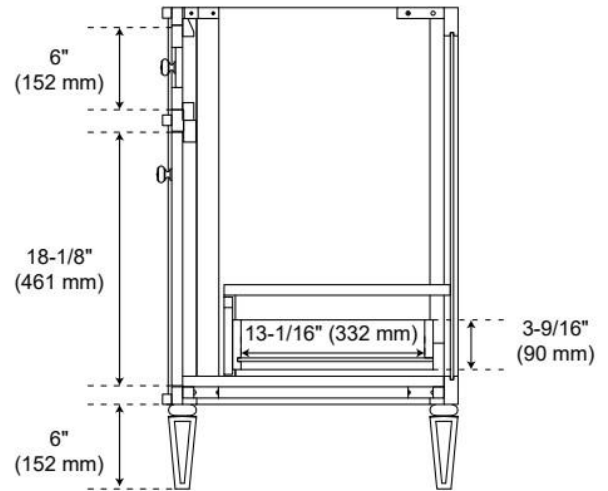
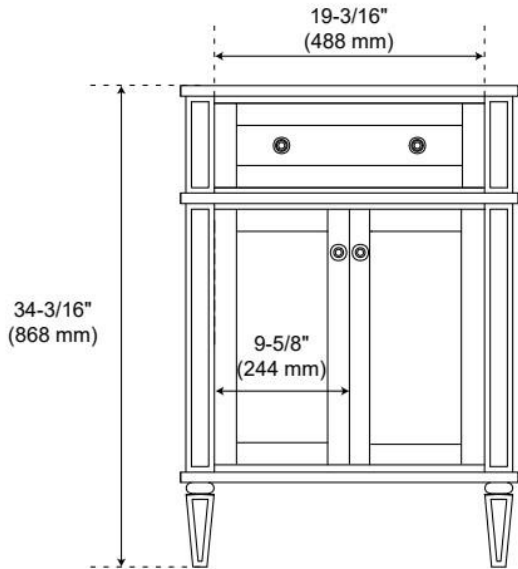
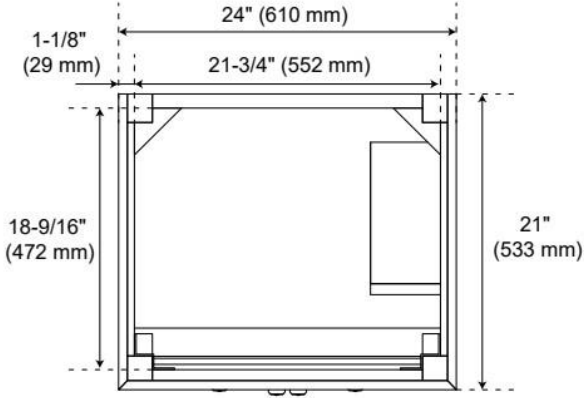
- Solid wood cabinet.
- Engineered wood panels.
- A built-in power box features two outlets and two USB ports.
- Includes a matching backsplash and white porcelain sink.
- Polished Carrara Marble is sourced from Italy.
- Each stone top is carved from a single piece of stone and will feature natural variations.
- See Installation Instructions for directions to attach the vanity top and sink.
- All dimensions are ($\pm 1/2"$).

REVISED 3/23/2026

24" ELMDALE CHARCOAL BLACK VANITY WITH RECT. UNDERMOUNT SINK - OUTLET

SKU: 955284-24-rumb

Code: SH563413, SH563414, SH563415, SH563416, SH563417, SH563418, SH563419, SH563420, SH563421



REVISED 3/23/2026