

# 24" ELMDALE CHARCOAL BLACK VANITY WITH UNDERMOUNT SINK - OUTLET

SKU: 955284-24-um

Code: SH563410, SH563411, SH563412



## FEATURES

Material: Wood  
Product Finish: Charcoal Black  
Number of Doors: 2  
Number of Drawers: 1  
Soft-Close Hinges: Yes  
Soft-Close Slides: Yes  
Full Extension Drawer Slides: Yes  
Dovetail Drawers: Yes  
Adjustable Shelves: No  
Electrical Outlet: Yes  
Hardware Finish: Black  
Hardware Material: Zinc  
Built-In Adjusters: Yes

Massachusetts Accepted, UL-962A, CAN/CSA-C22.2 No. 308, LISTED ID: BY213-D01, 506895



## ADDITIONAL FEATURES

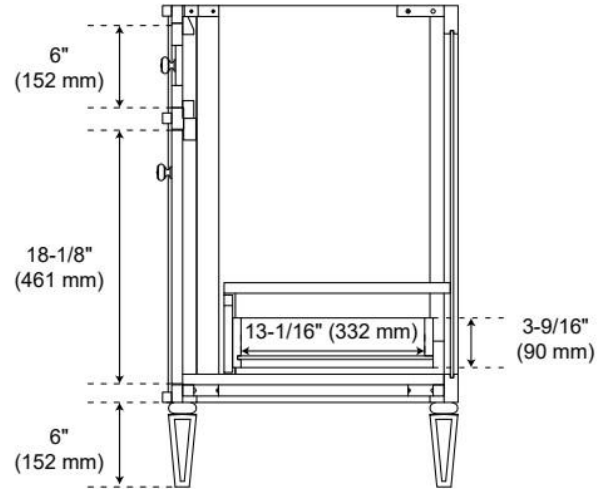
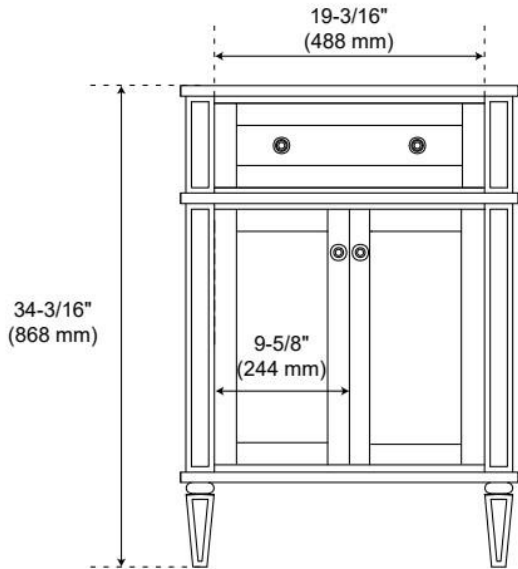
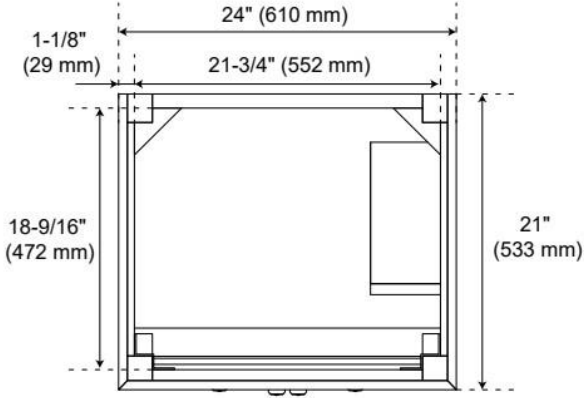
- Solid wood cabinet.
- Engineered wood panels.
- A built-in power box features two outlets and two USB ports.
- Includes a matching backsplash and white porcelain sink.
- Polished Carrara Marble is sourced from Italy.
- Each stone top is carved from a single piece of stone and will feature natural variations.
- See Installation Instructions for directions to attach the vanity top and sink.
- All dimensions are ( $\pm 1/2$ ").

REVISED 3/23/2026

# 24" ELMDALE CHARCOAL BLACK VANITY WITH UNDERMOUNT SINK - OUTLET

SKU: 955284-24-um

Code: SH563410, SH563411, SH563412



REVISED 3/23/2026