

# ATLAS

## STAINLESS STEEL UNDERMOUNT SINK

SKU: 944633, 944632, 944644, 944635, 944643, 944631, 944629, 944636, 944641, 944630, 944642, 944634

### BEFORE YOU BEGIN

We recommend consulting a professional if you are unfamiliar with installing plumbing fixtures. Signature Hardware accepts no liability for any damage to the plumbing, sink, counter top, or for personal injury during installation.

Observe all local plumbing and building codes.

Unpack and inspect the product for shipping damage. If any damage is found, contact our Customer Relations team at 1-8555-715-1800.

### GETTING STARTED

- For this installation it is assumed that the countertop has been cut to the dimensions of the sink. We recommend consulting a professional if you are unfamiliar with this type of installation, Signature Hardware accepts no liability for any damages to the floor, walls, plumbing or for personal injury during installation.
- Use care when lifting and installing any sink. Place sink on a level surface with a towel or other soft cloth beneath to prevent damage.

### TOOLS AND MATERIALS:



Thread Sealant



Silicone Sealant



Damp Cloth



Pencil

REVISED 05/29/2020

CODES: 514395, 514408, 514392, 503287  
514391, 514407, 514397, 503292, 514390  
514604, 503301, 514396, 503291, 514409  
503304, 514393, 514394, 503289, 506665  
506668, 506667, 506666, 530322, 530321

For Warranty information, please visit: [signaturehardware.com/services/warranty](https://signaturehardware.com/services/warranty)

## STAINLESS STEEL UNDERMOUNT SINK

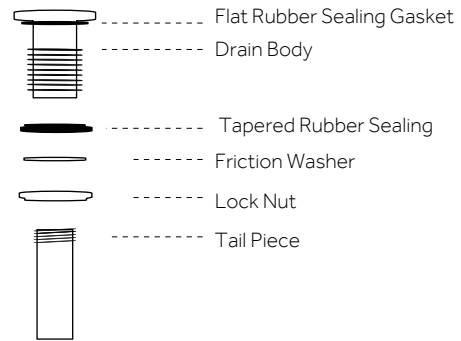
SKU: 944633, 944632, 944644, 944635, 944643, 944631, 944629, 944636, 944641, 944630, 944642, 944634

### INSTALLATION

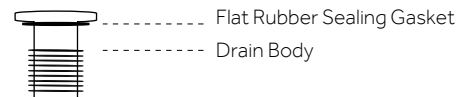
1. Carefully turn the countertop over so that it rests upside-down on a stable, cushioned surface.
2. Position the undermount sink over the sink cutout on the counter. Make sure the sink is centered with the faucet hole and is evenly spaced between the bolt holes.
3. Draw an outline of the sink on the countertop, once the ideal position is determined.
4. Remove the sink from the countertop. Apply a generous bead of silicone around the sink rim.
5. Carefully place the sink upside down on the countertop, positioning it within the outline.
6. Attach the sink clips (if included) by placing the long end of the bracket flat against the sink lip. Screw the wing bolts through the brackets and bolt holes and tighten snugly.
7. Carefully turn the counter and sink over.
8. Remove any excess silicone with a cloth moistened with water or mineral spirits. Let silicone dry according to manufacturer's instructions.

### DRAIN INSTALLATION

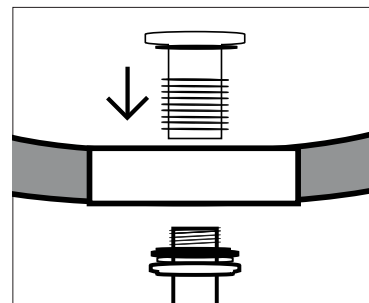
1. Disassemble the drain by removing the threaded tail piece, rubber sealing gaskets, friction washer and lock nut from the drain body.



2. Place thread sealant on the threaded section of the tail piece and reattach to the drain body.
3. Slide the flat rubber sealing gasket up the tail piece to the top of the drain body. This gasket will create a water tight seal between the drain flange and sink.



4. Place the drain in the drain hole in the sink.

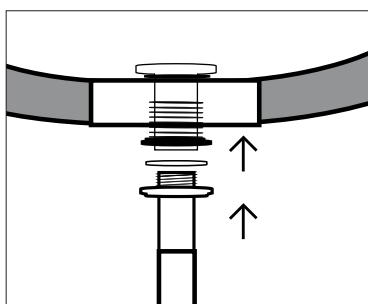


## STAINLESS STEEL UNDERMOUNT SINK

SKU: 944633, 944632, 944644, 944635, 944643, 944631, 944629, 944636, 944641, 944630, 944642, 944634

5. On the underside of the counter, attach the tapered rubber gasket. With the flat side facing down, slide the gasket up the threaded shank until it makes contact with the bottom of the sink.

6. Slide the friction washer up to meet the rubber gasket.



7. Thread the lock nut onto the threaded shank. Hand-tighten and make sure that the drain is properly aligned. When ready, finish tightening with a basin wrench to secure the drain.

