

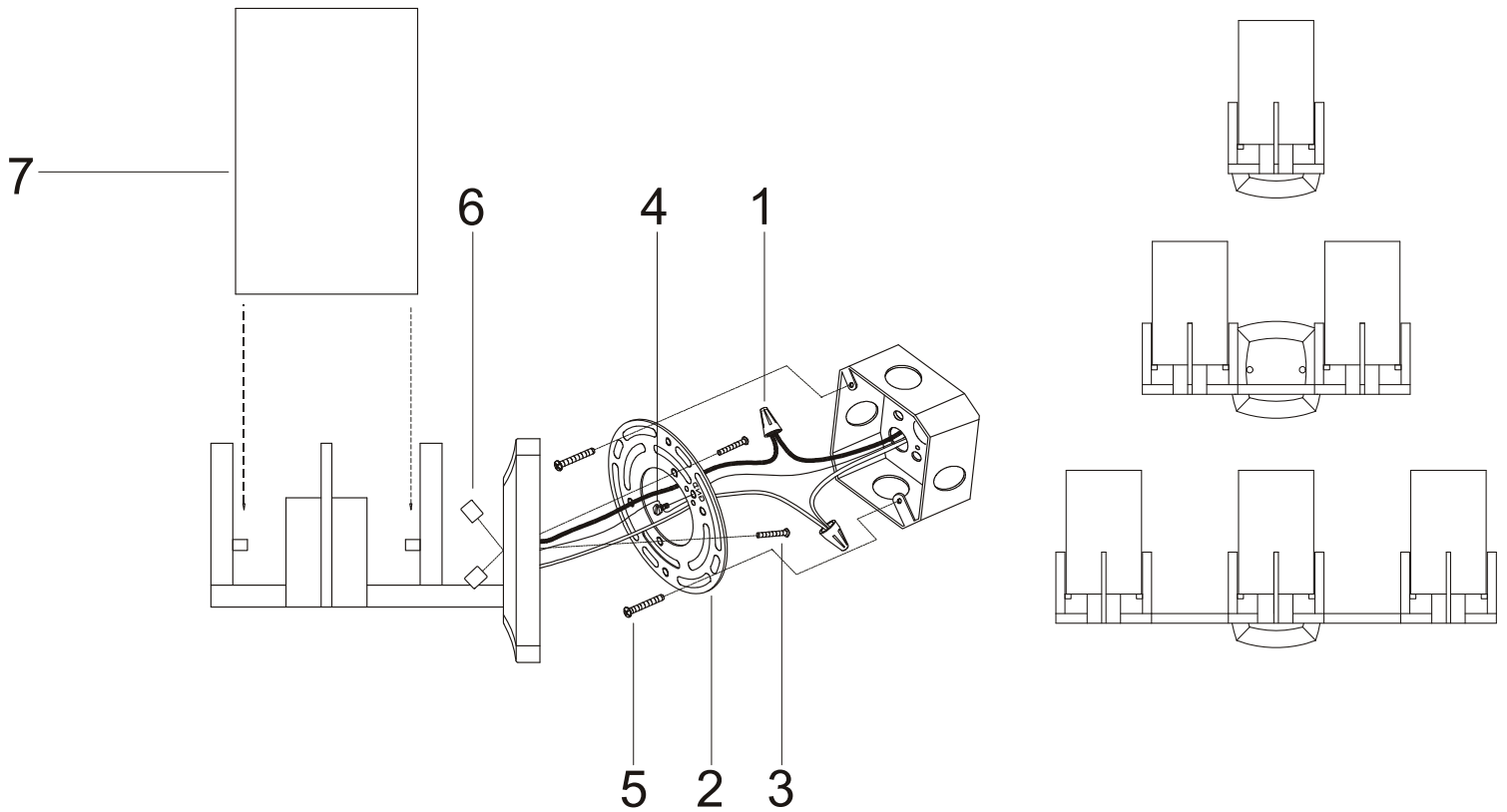
BERCKEN

VANITY LIGHT

LÁMPARA DE TOCADOR

APPLIQUE DE SALLE DE BAIN

SKU: 951707, 951708, 951709



No.	Part Name	Nombre de pieza	Pièce	Part No.
1	Wire connectors (2pcs)	Conector de cable (2pcs)	Capuchon de connexion (2pcs)	PHSPRHDWR42WTY=AGBR PHSPRHDWR43WTY=MB
2	Circular strap (1pc)	Correa circular (1pc)	Boîte à prises (1pc)	
3	Screw (2pcs)	Tornillo (2pcs)	Vis (2pcs)	
4	Ground Screw (1pc)	Tornillo a tierra (1pc)	Vis de borne de terre (1pc)	
5	Screw (2pcs)	Tornillo (2pcs)	Vis (2pcs)	
6	Finial (2pcs)	Remate (2pcs)	Faîteau (2pcs)	
7	Glass (1, 2, or 3pcs)	Vidrio (1, 2, or 3pcs)	Verre (1, 2, or 3pcs)	PHSPRGLS11WTY

*Specify Finish / Especifica el Acabado / Spécifiez la Finition

REVISED: 12/06/2021
CODES: PHVL3201, PHVL3202, PHVL3203