

CALHOUN

SHOWER SYSTEM

SKU: 927746

BEFORE YOU BEGIN

We recommend consulting a professional if you are unfamiliar with installing plumbing fixtures. Signature Hardware accepts no liability for any damage to the faucet, plumbing, sink, counter top, or for personal injury during installation.

Observe all local plumbing and building codes.

Unpack and inspect the product for shipping damage. If any damage is found, contact our Customer Relations team via live chat at www.signaturehardware.com or by emailing support@signaturehardware.com.

GETTING STARTED

Ensure that you have gathered all the required materials that are needed for the installation.

ADDITIONAL QUESTIONS?

Still need help? Check out our Help Center at www.signaturehardware.com for product and warranty information, or contact us through live chat or by emailing support@signaturehardware.com.

TOOLS AND MATERIALS:



Plumbers Tape



Level



Tape Measure



Pencil



Phillips Screwdriver

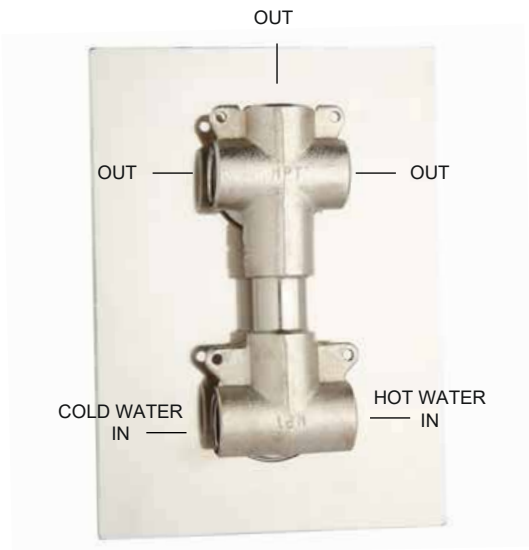
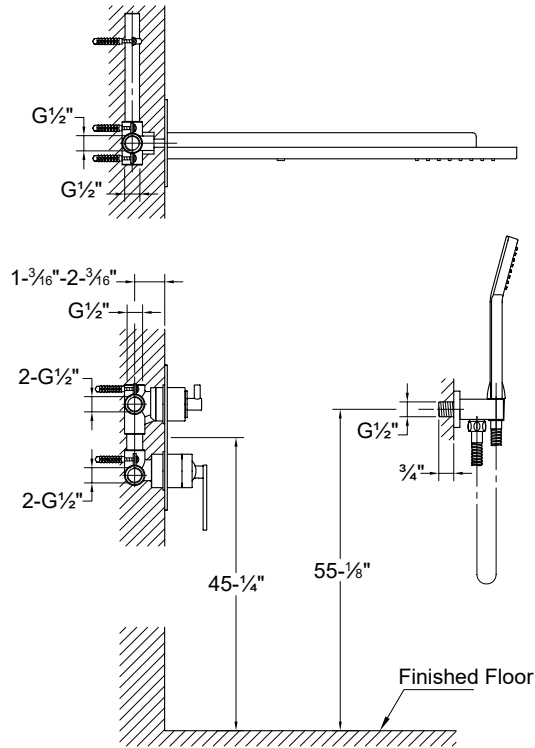


Drill

CALHOUN

SHOWER SYSTEM

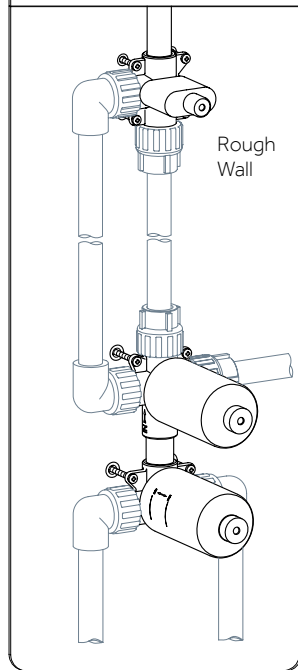
SKU: 927746



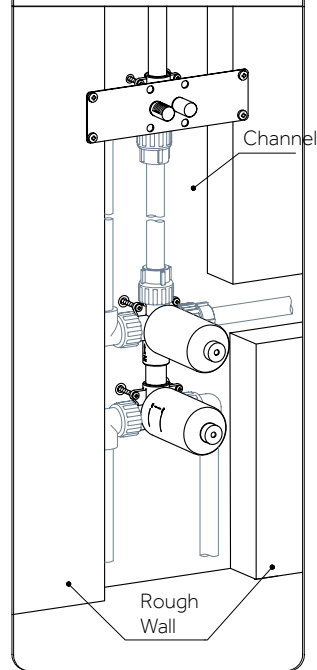
INSTALLATION

1. Select the appropriate installation type for your application.

For stud walls, install the valve body between the studs behind the finished wall.



For masonry walls, create a channel for valve body and pipe installation.

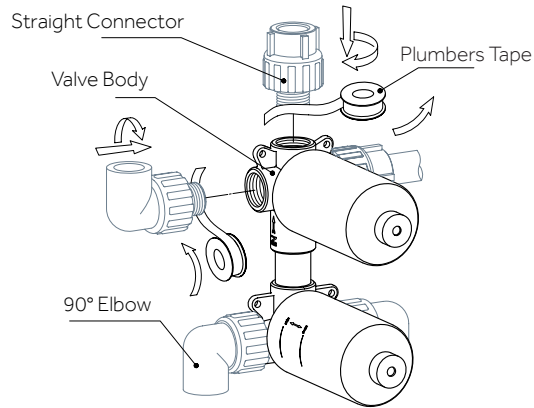


CALHOUN

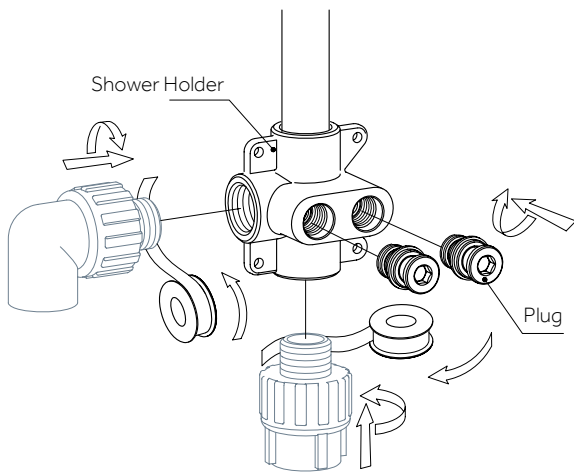
SHOWER SYSTEM

SKU: 927746

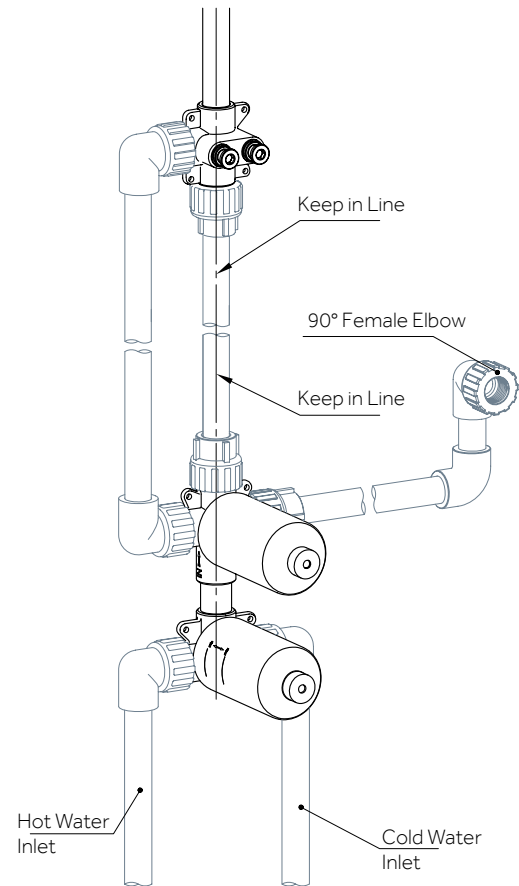
2. For stud wall installation, wrap plumbers tape around the threaded connections and attach to the valve body. For masonry wall installation, move on to step 24 (page 9)



3. Wrap plumbers tape around the threaded portion of the plugs and attach to the shower holder.



4. Determine the locations of the valve body and shower head. Connect the inlet pipe to the inlet joint. Install the 90° female elbow in the hand-shower holder location.

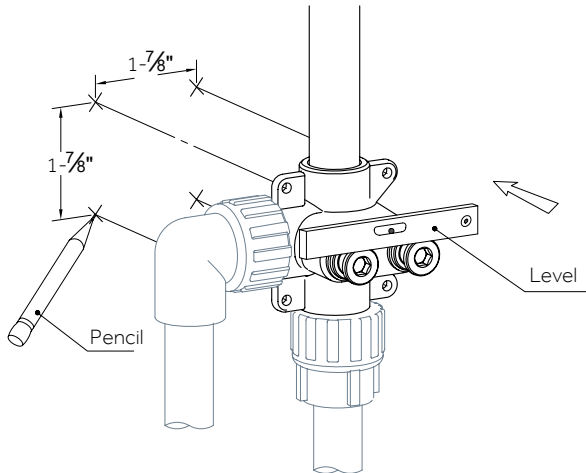


CALHOUN

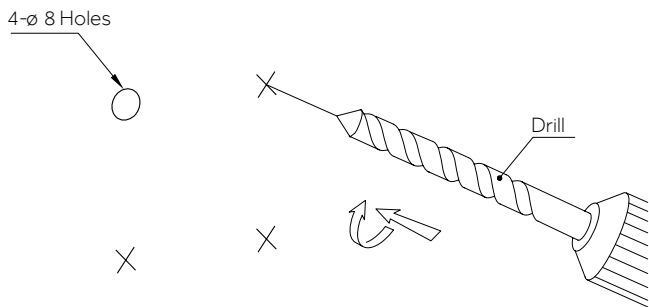
SHOWER SYSTEM

SKU: 927746

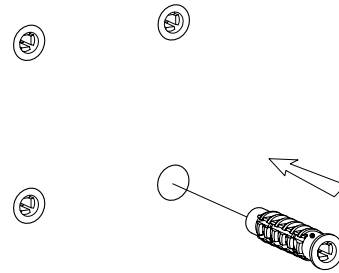
5. Mark the location of the mounting holes on the shower holder in the installation location. Use a level to ensure the holder is aligned properly.



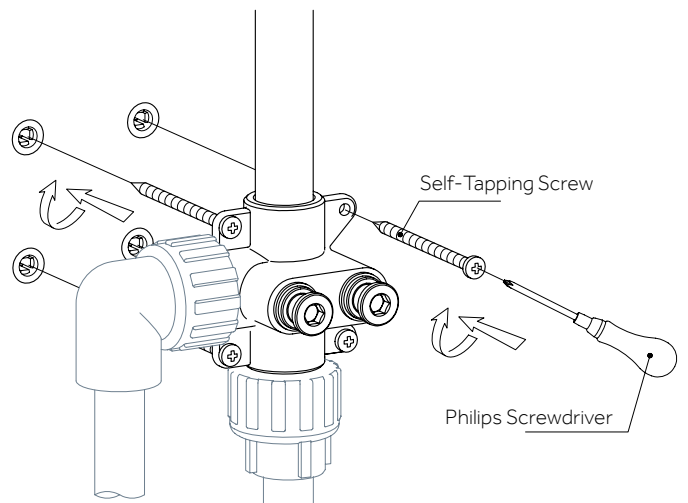
6. Drill mounting holes with the appropriate drill bit.



7. Insert wall anchors into the holes drilled in the previous step.



8. Loosely attach the shower holder to the wall with self-tapping screws.

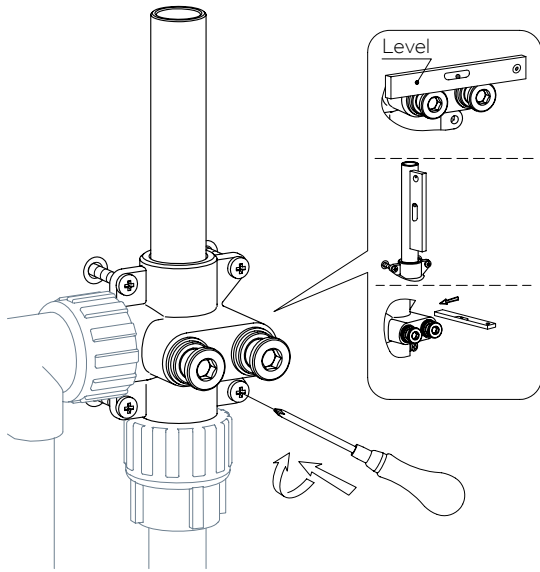


CALHOUN

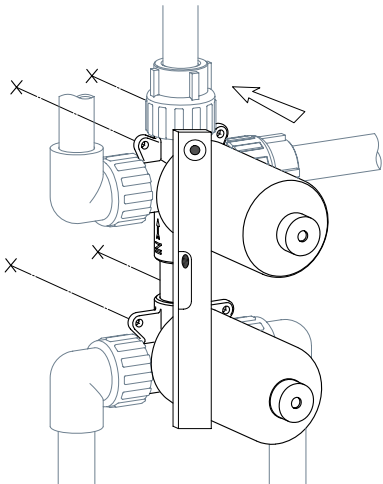
SHOWER SYSTEM

SKU: 927746

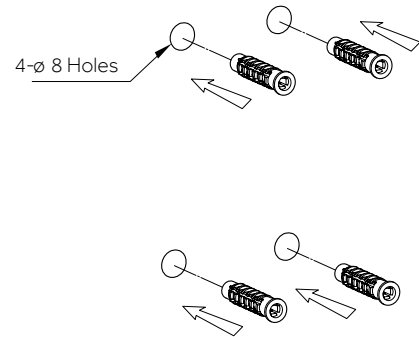
9. Tighten the self-tapping screws after making adjustments.



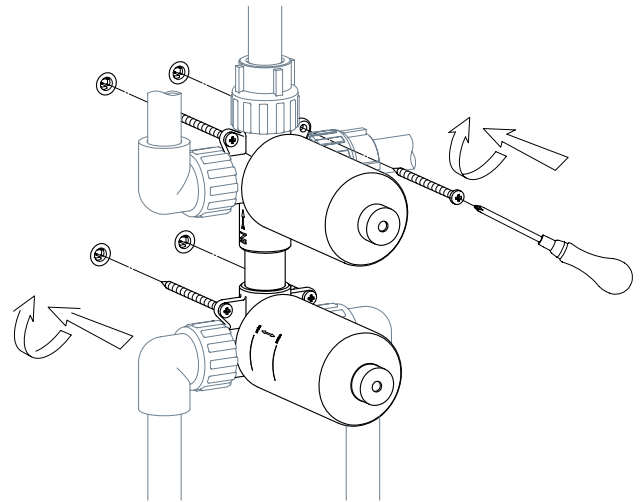
10. Mark the location of the mounting holes on the valve body in the installation location. Use a level to ensure the holder is aligned properly.



11. Drill mounting holes with the appropriate drill bit and insert the wall anchors.



12. Loosely attach the valve body.

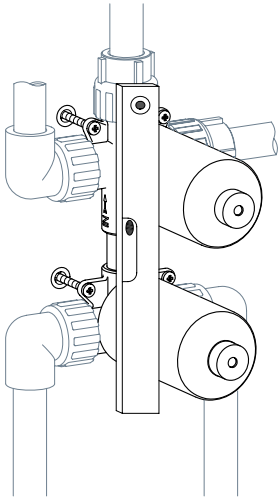


CALHOUN

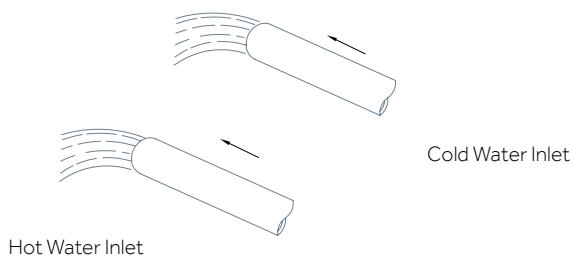
SHOWER SYSTEM

SKU: 927746

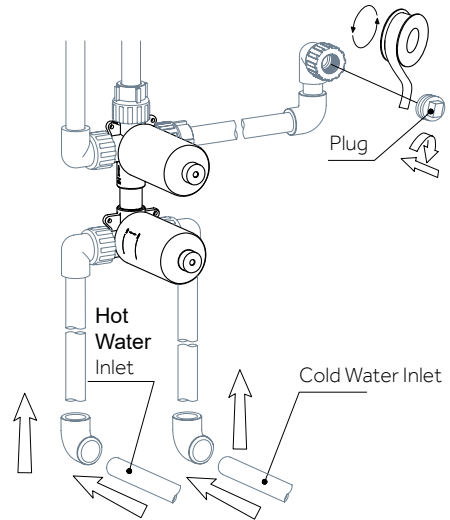
13. Tighten the screws after making adjustments.



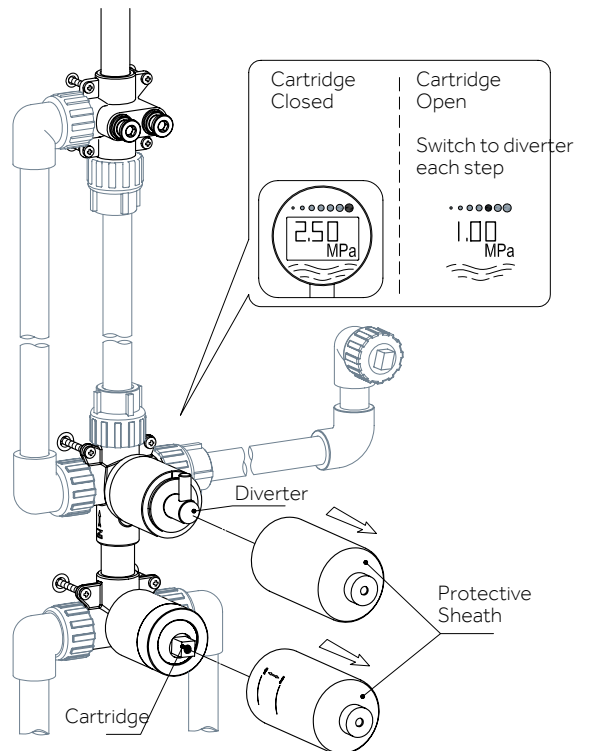
14. Turn the water on to flow water through the pipes to clear out any dirt and debris.



15. Connect the inlet pipes. Wrap plumbers tape around the threaded portion of the plug. Insert the plug into the 90° female elbow.



16. Remove the protective sheath and run water to test the pressure and ensure there are no leaks.

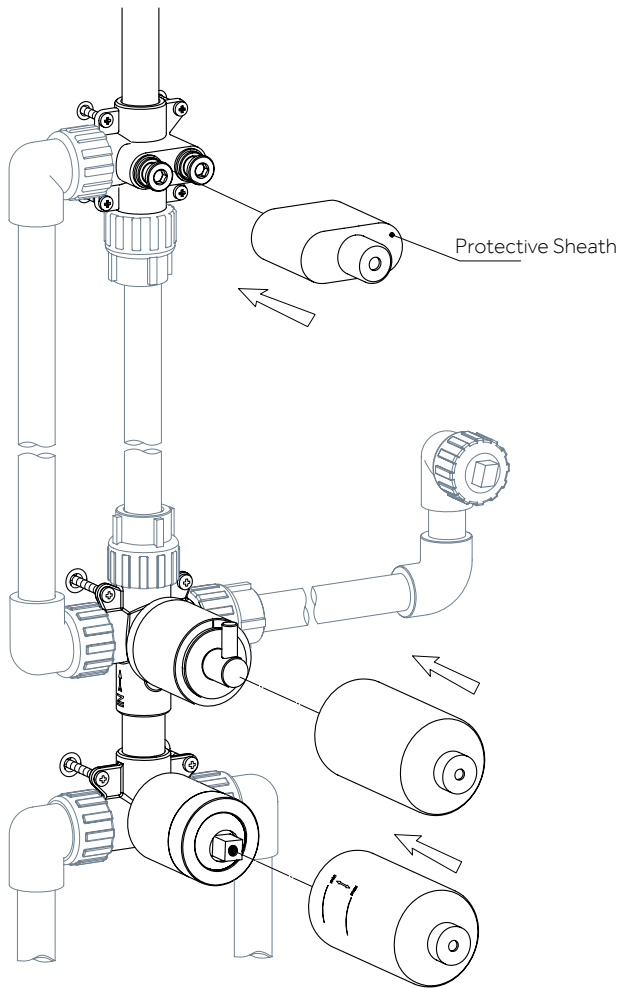


CALHOUN

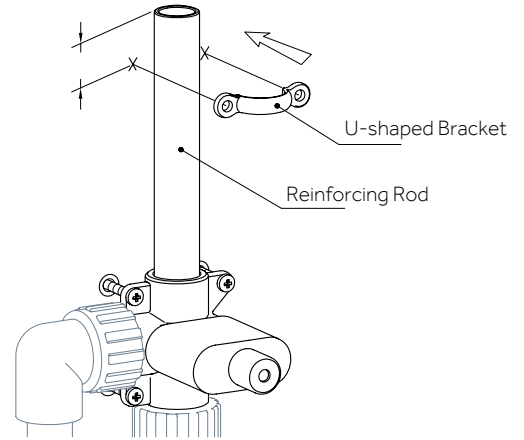
SHOWER SYSTEM

SKU: 927746

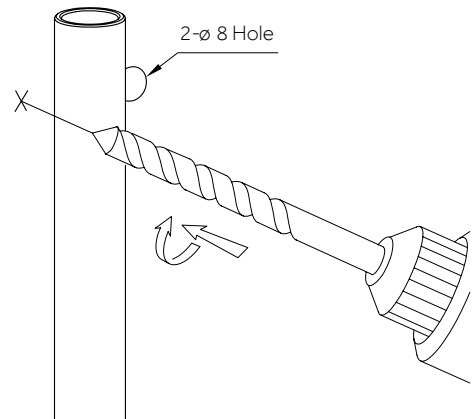
17. Place the protective sheath back on the valve body and shower holder.



18. Place the u-shaped bracket on the reinforcing rod and mark the location of the mounting holes.



19. Drill mounting holes with the appropriate drill bit.

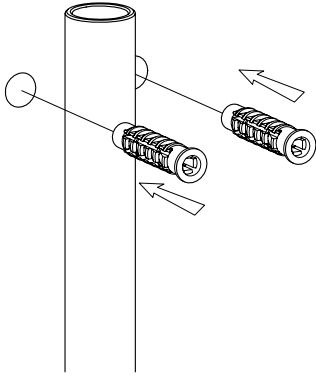


CALHOUN

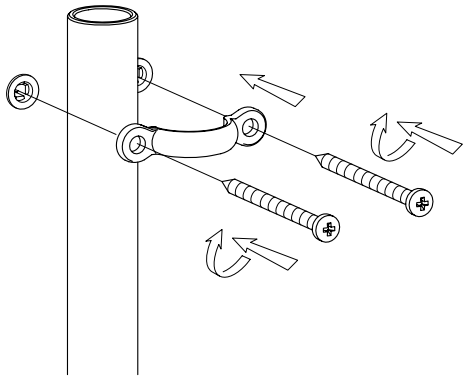
SHOWER SYSTEM

SKU: 927746

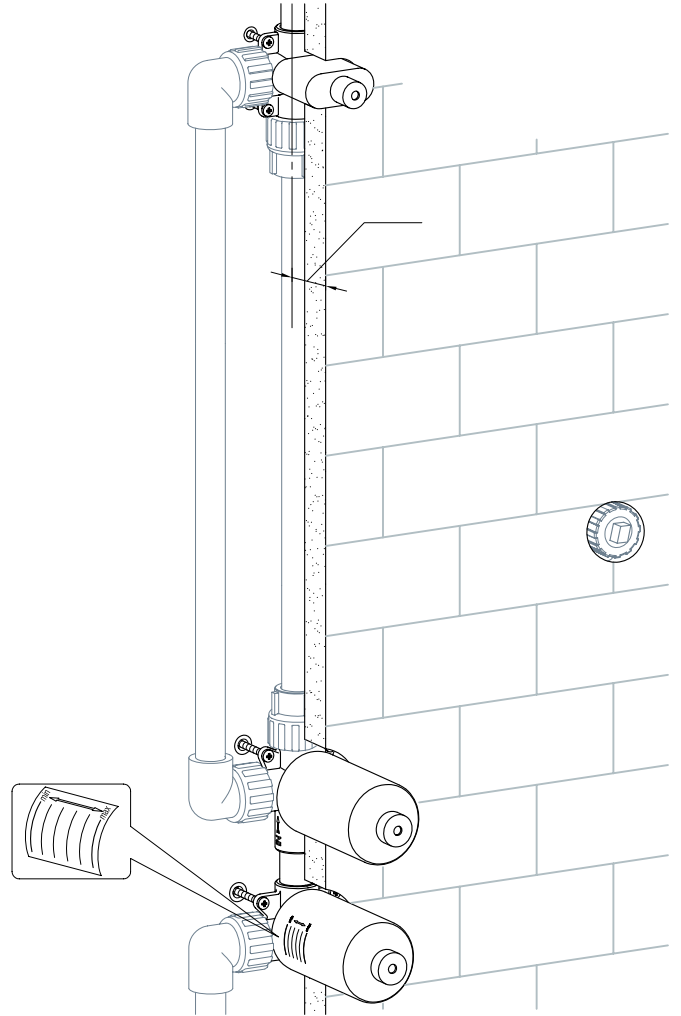
20. Insert anchors into the holes drilled in the previous step.



21. Attach the bracket to the wall with self-tapping screws.



22. Install the finished wall material.

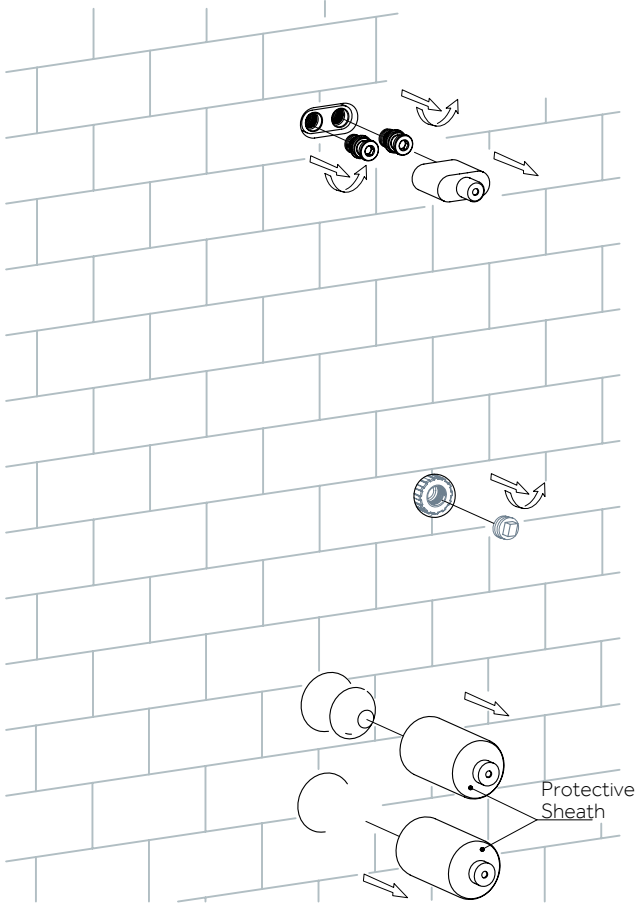


CALHOUN

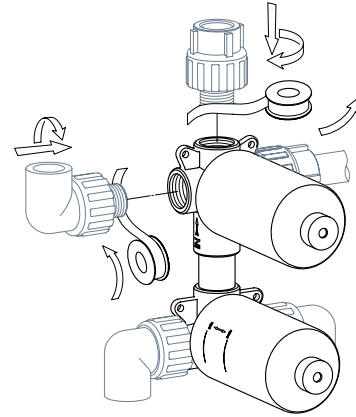
SHOWER SYSTEM

SKU: 927746

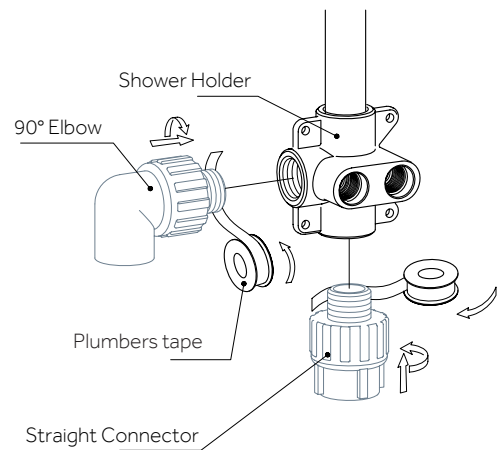
23. Remove the protective sheath and unscrew the plugs. Move on to step 44 (page 14)



24. For masonry wall installation, wrap plumbers tape around the threaded connections and attach to the valve body.



25. Wrap plumbers tape around the threaded connections and attach to the shower holder.

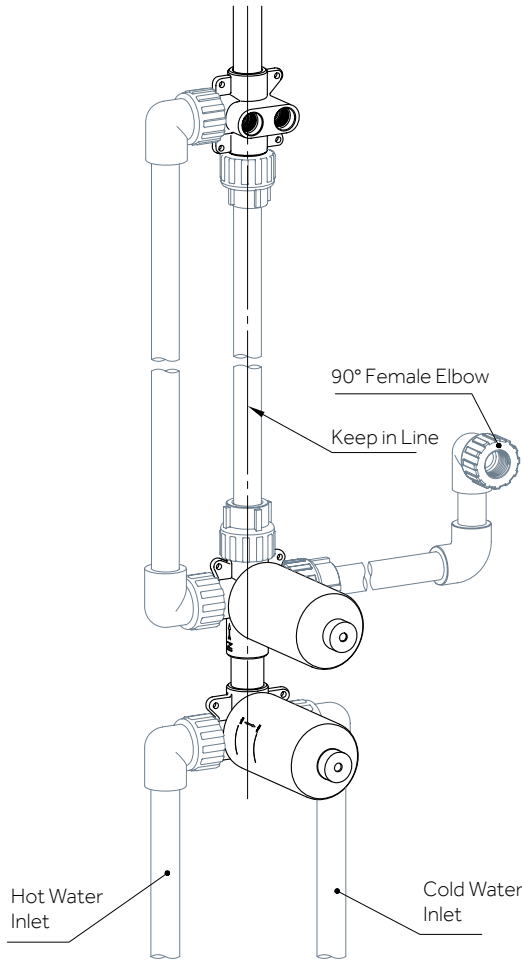


CALHOUN

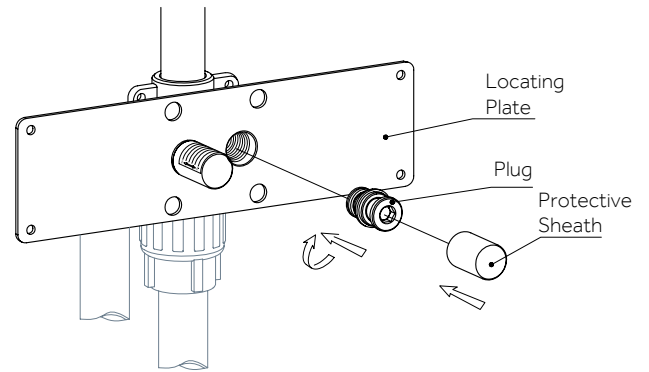
SHOWER SYSTEM

SKU: 927746

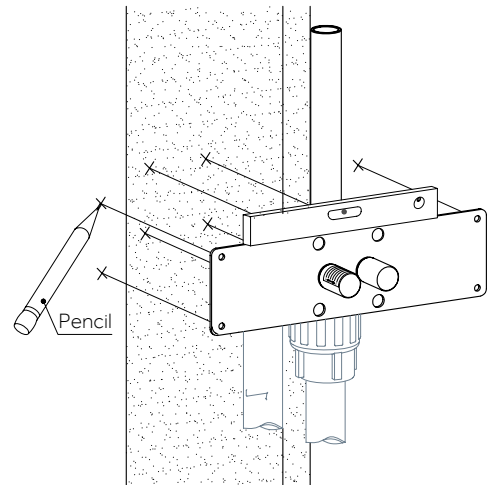
26. Determine the locations of the valve body and shower head. Connect the inlet pipe to the inlet joint. Install the 90° female elbow in the hand shower holder location.



27. Place the locating plate on the shower holder. Install the plugs and protective sheath.



28. Mark the location of the mounting holes on the locating plate in the installation location. Use a level to ensure the holder is aligned properly.

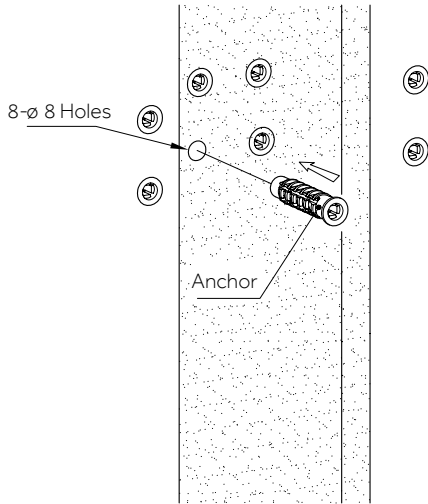


CALHOUN

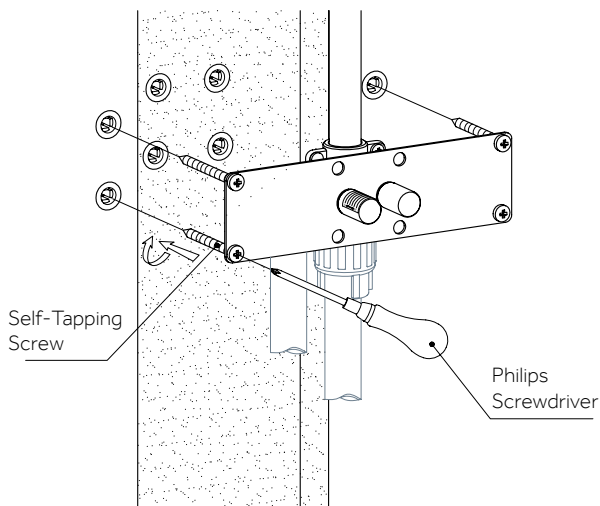
SHOWER SYSTEM

SKU: 927746

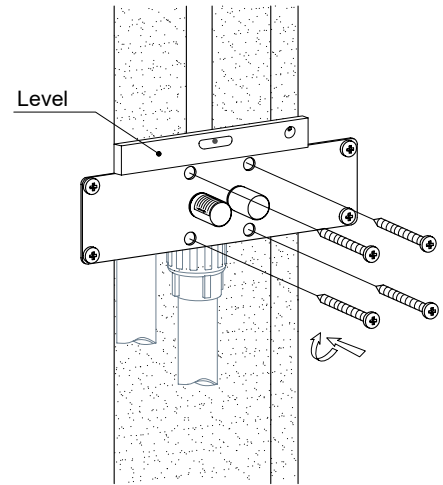
29. Drill mounting holes with the appropriate drill bit and install wall anchors.



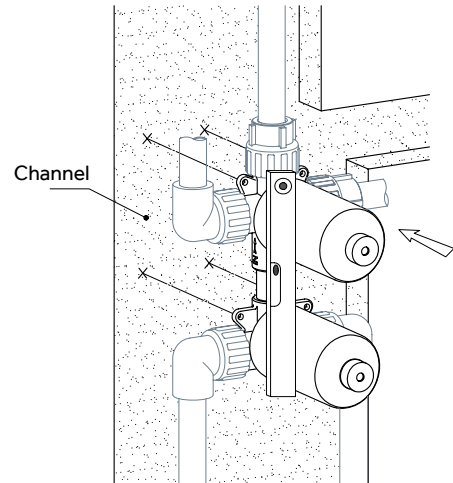
30. Loosely attach the plate to the wall with self-tapping screws.



31. Tighten the screws after making adjustments.



32. Mark the location of the mounting holes on the valve body.

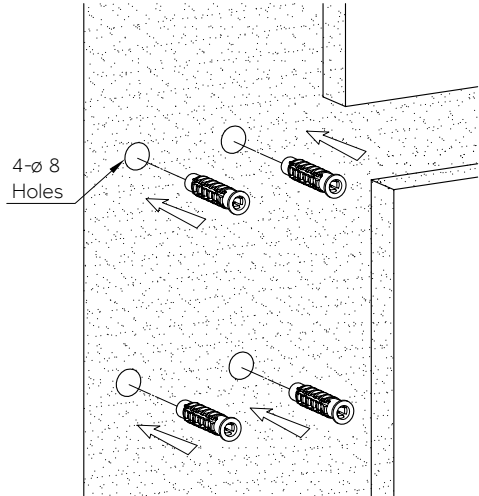


CALHOUN

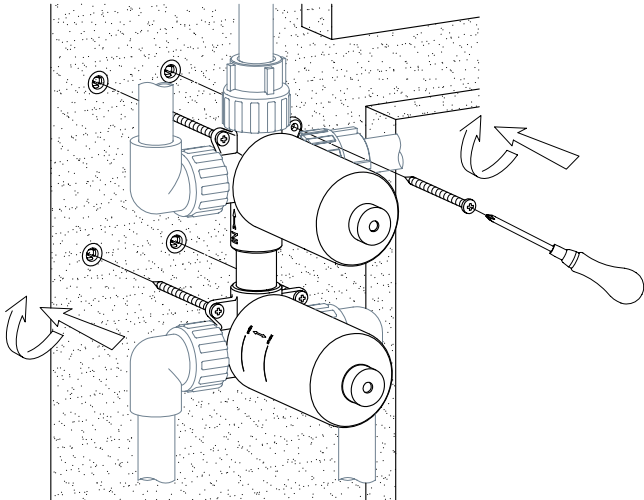
SHOWER SYSTEM

SKU: 927746

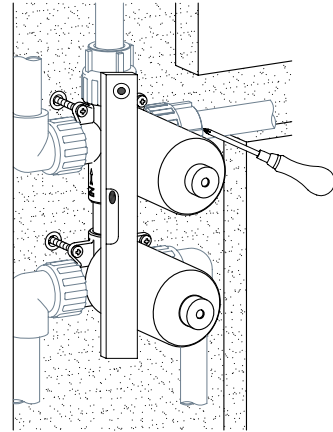
33. Drill mounting holes and install wall anchors.



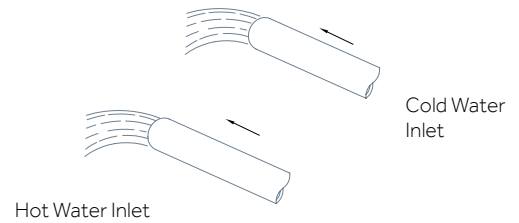
34. Loosely attach the valve body.



35. Tighten the screws after making adjustments.



36. Turn the water on to flow water through the pipes clear out any dirt and debris.

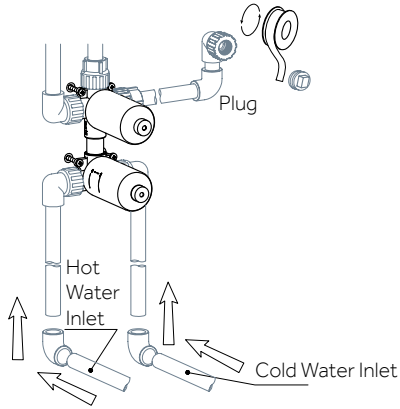


CALHOUN

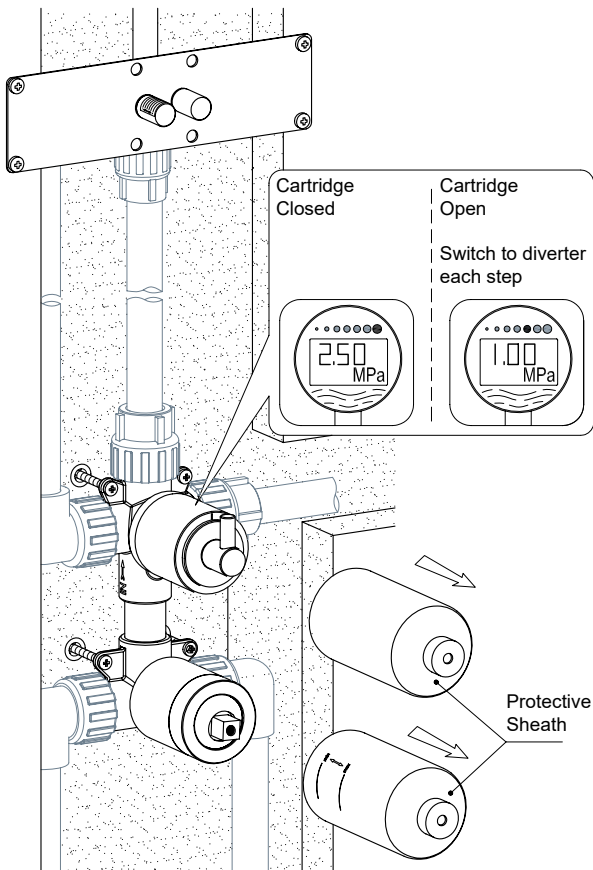
SHOWER SYSTEM

SKU: 927746

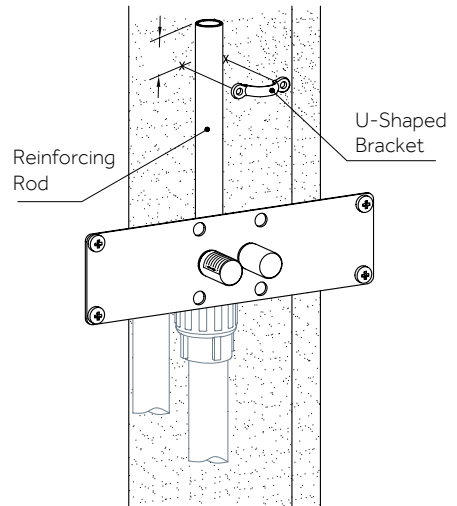
37. Connect the inlet pipes. Wrap plumbers tape around the threaded portion of the plug. Insert the plug into the 90° female elbow.



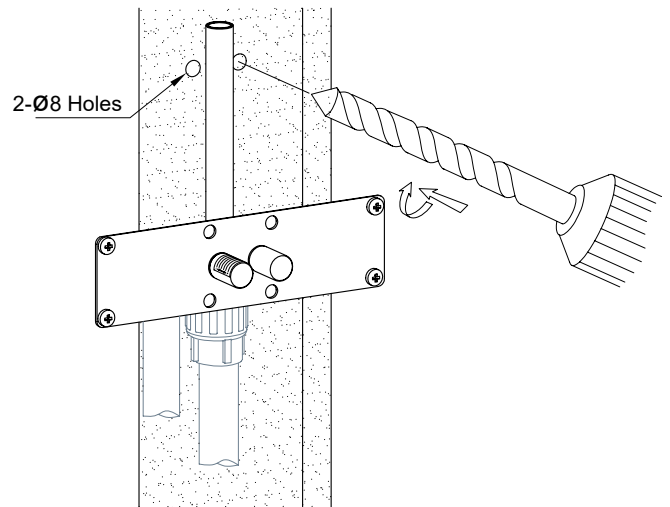
38. Remove the protective sheath and run water to test the pressure and ensure there are no leaks.



39. Place the u-shaped bracket on the reinforcing rod and mark the location of the mounting holes.



40. Drill mounting holes and insert wall anchors.

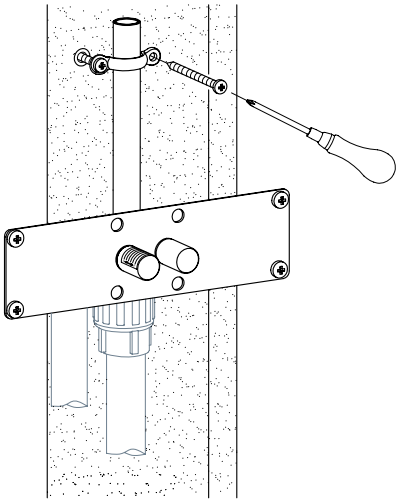


CALHOUN

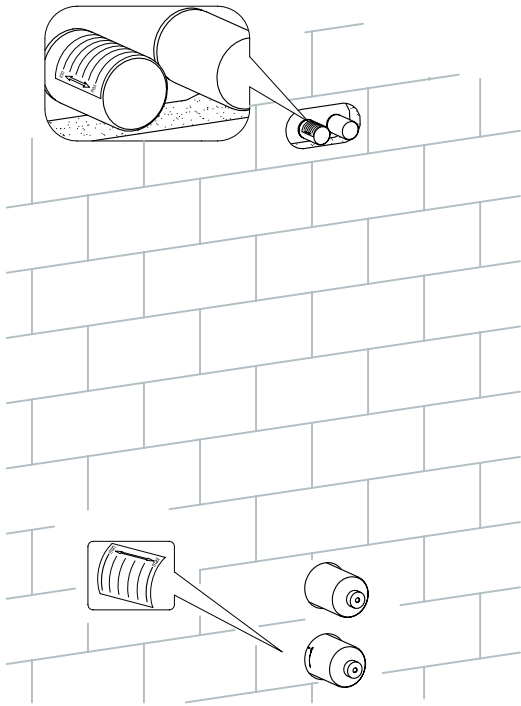
SHOWER SYSTEM

SKU: 927746

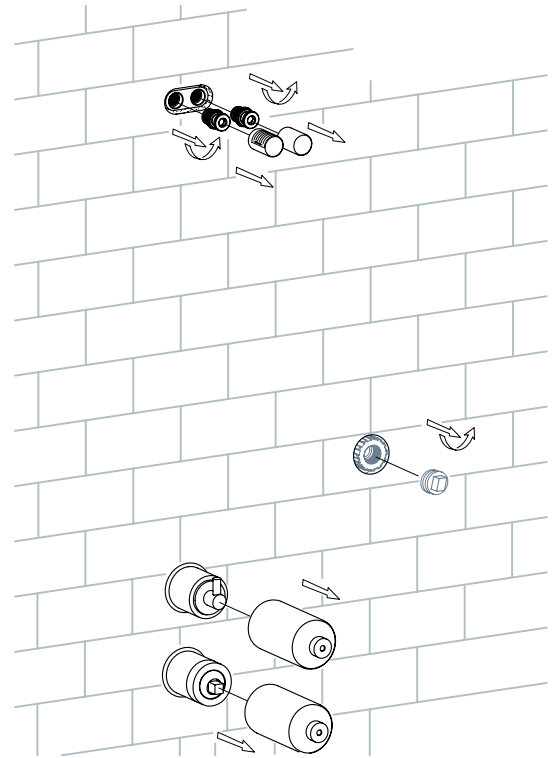
41. Insert screws to install bracket



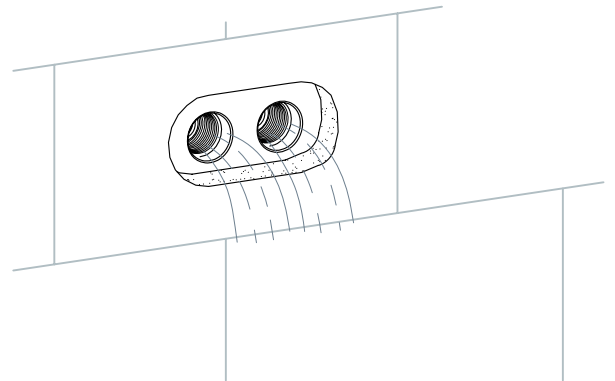
42. Place the protective sheaths over the pipe inlets and install the finished wall material.



43. Remove the protective sheath and unscrew the plugs.



44. Turn the water on to flow water through the pipes to clear out any dirt and debris.

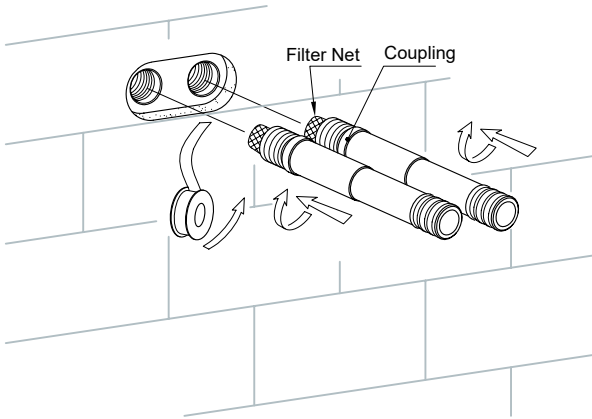


CALHOUN

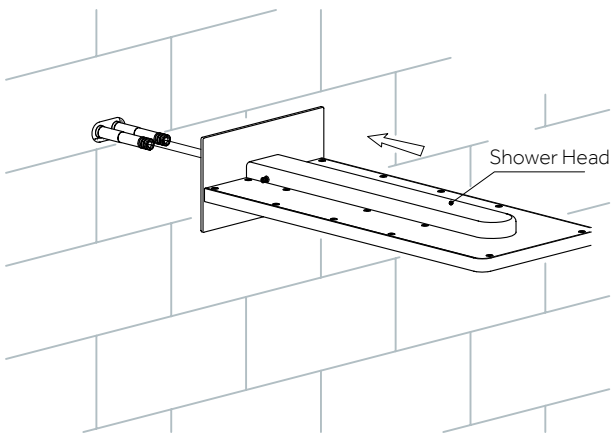
SHOWER SYSTEM

SKU: 927746

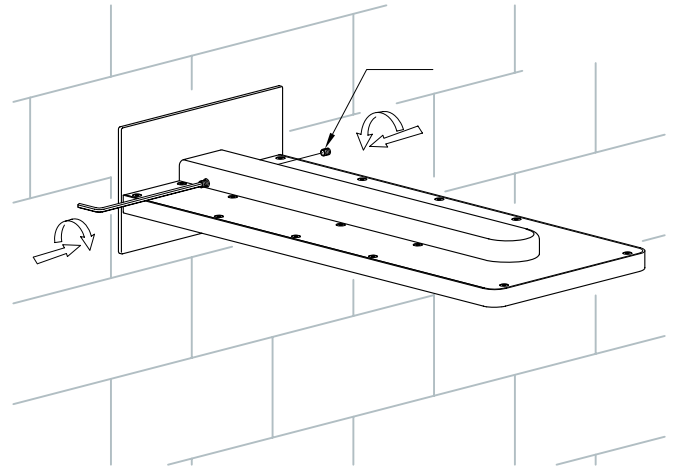
45. Wrap plumbers tape around the pipe couplings and screw them into the shower holder fittings



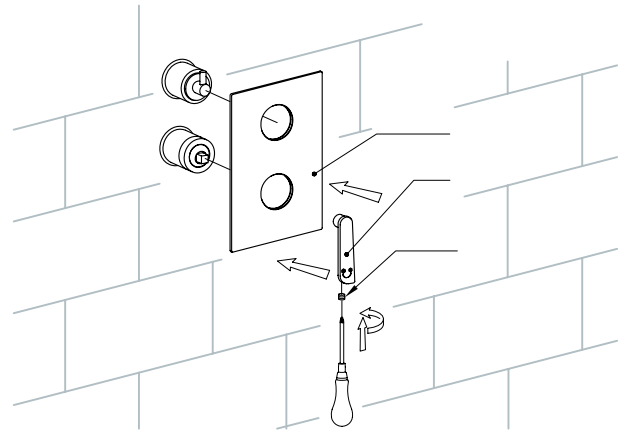
46. Connect the shower head.



47. Tighten the set screw to secure



48. Install the escutcheon and diverter handle.

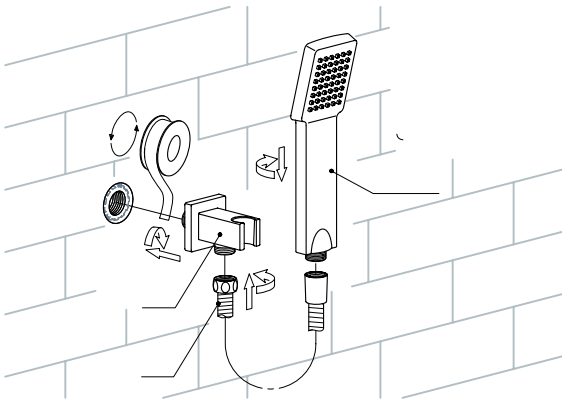


CALHOUN

SHOWER SYSTEM

SKU: 927746

49. Install the hand shower



50. When installation is complete turn the faucet on, check to make sure that the hot and cold supplies are working correctly. Diver the water to each shower head output and hand shower and allow the water to flow for approximately 60 seconds.

