

### BEFORE YOU BEGIN

We recommend consulting a professional if you are unfamiliar with installing plumbing fixtures. Signature Hardware accepts no liability for any damage to the faucet, plumbing, floor, or for personal injury during installation.

Observe all local plumbing and building codes.

Unpack and inspect the product for shipping damage. If any damage is found, contact our Customer Relations team at 1-855-715-1800.

---

### GETTING STARTED

- Ensure that you have gathered all the required materials that are needed for the installation.

### TOOLS AND MATERIALS:



Plumbers  
Tape



Thread  
Sealant



Adjustable  
Wrench



Level



Hex Wrench



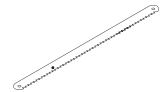
Drill



Pencil



Safety Glasses

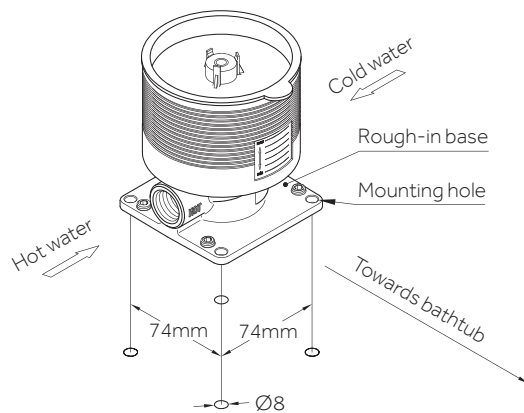


Saw Blade

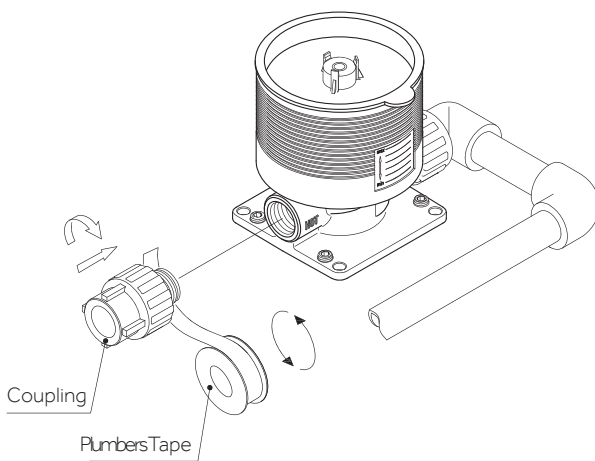
### INSTALLATION

1. Set the faucet base at its desired location, and mark the location of the mounting holes, as shown. Drill one  $\text{\O}8\text{mm}$  hole at each marked location

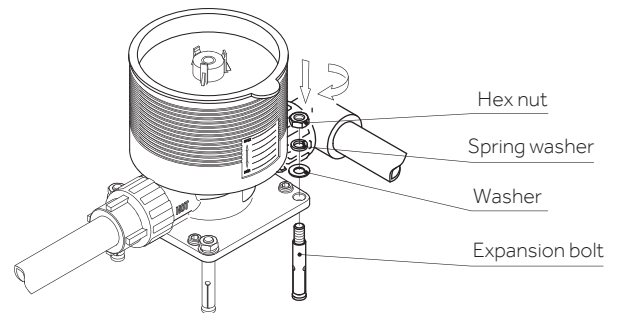
**Note:** The spout of the faucet should face towards the bathtub.



2. Wrap the coupling with plumbers tape and connect it to the rough-in base. Then connect inlet pipes of proper length.

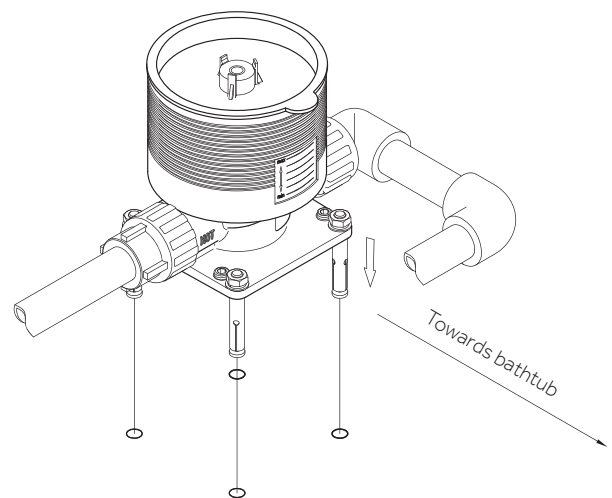


3. Insert the provided expansion bolts through the bottom of the base, as shown. Slide the washer and locking washer onto the bolt, then slightly tighten the nut onto the bolt. Do not tighten fully.



4. Insert expansion bolts into  $\text{\O}8\text{mm}$  holes.

**Note:** The spout of the faucet should face toward the bathtub.

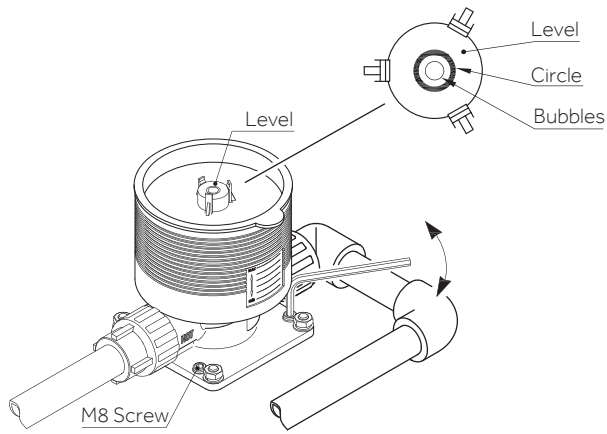


# COOPER

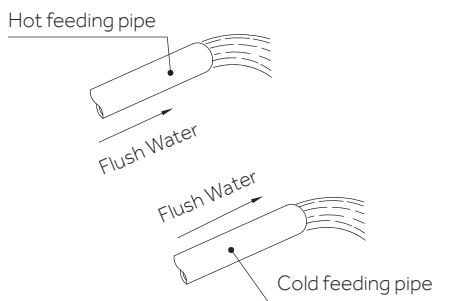
## FREESTANDING TUB FAUCET

SKU: 950732

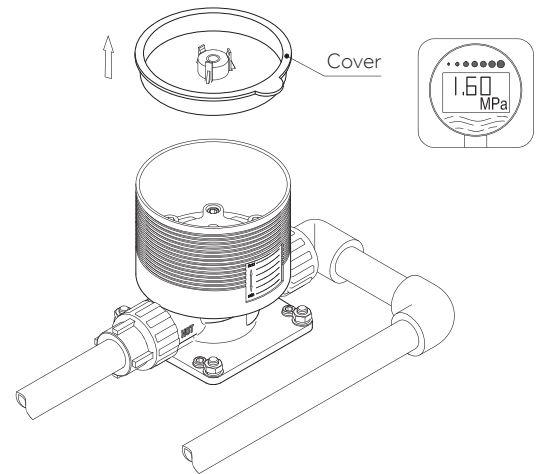
5. Adjust M8 screws on the rough-in base to its level position and then tighten hex nuts. When the bubble is the center of the circle, the rough-in base is at level position.



6. Run water to get rid of any debris inside pipes. Connect cold and hot water pipes. The HOT mark is to the hot water pipe and COLD mark to the cold pipe.

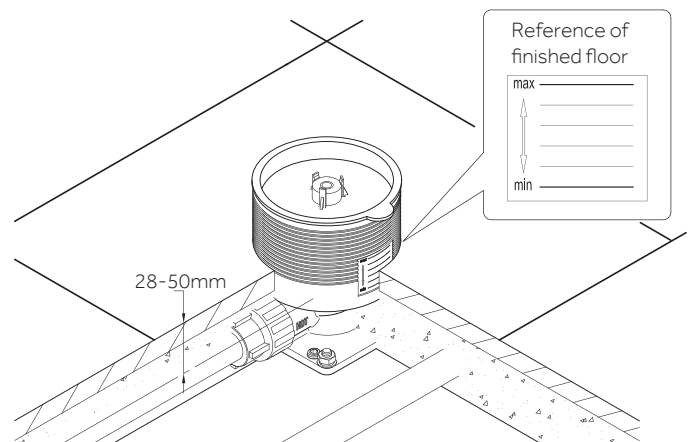


7. Remove the cover and run water for pressure test. Check all joints to make sure no leakage. Then put cover back on.



8. Place the protective cover back onto the faucet base. **Proceed to the installation of your finished floor before moving on with faucet installation.**

**Important:** The top of the faucet support base must be set at least 1-1/4" to 1-1/2" below the finished floor, depending on tile and substrate thickness, which lowers the height of the faucet an identical amount.

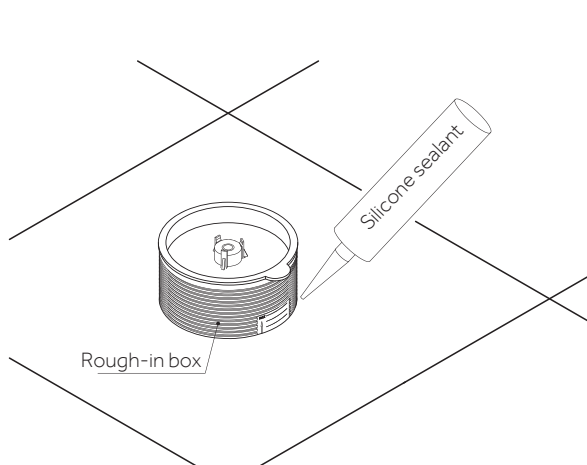


# COOPER

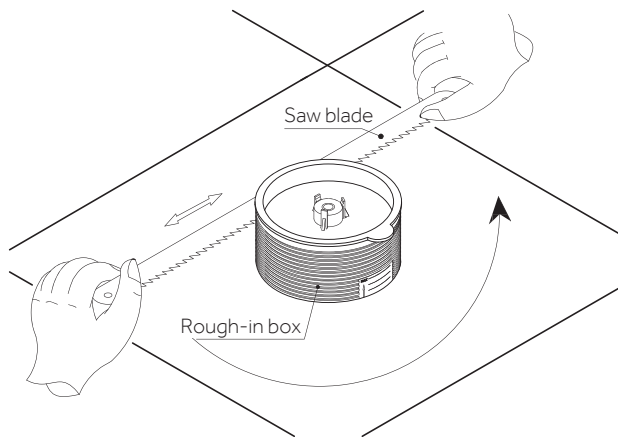
## FREESTANDING TUB FAUCET

SKU: 950732

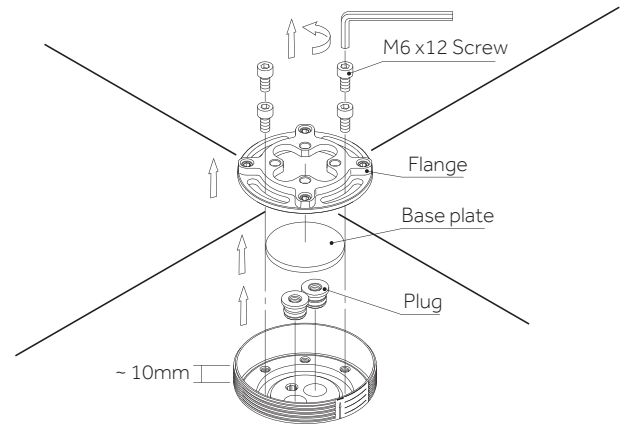
9. Fill silicone sealant between the rough-in box and finished floor.



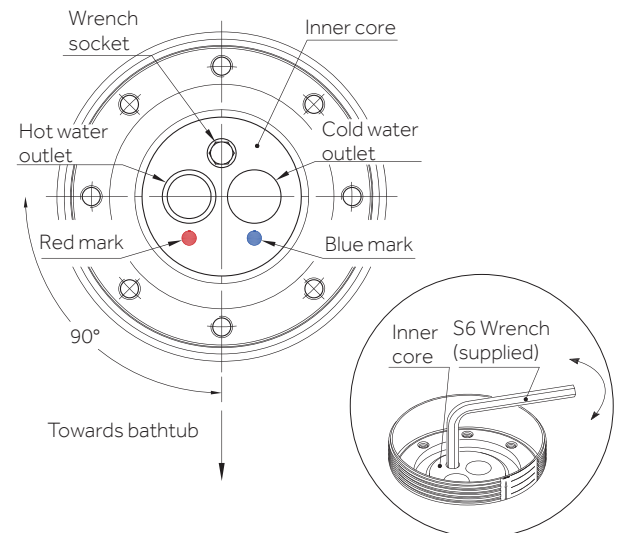
10. Cut the excessive part of the rough-in box. Keep the top edge of the rough-in box about 10mm above the finished floor.



11. Remove M6 x 12 screws, take out the flange and base plate, pull out the plugs.



12. Make sure the inner core is at the position as shown in the diagram. The water outlet is hot on the left and cold on the right. The place of the center line should face towards the bathtub. If the inner core is not in the correct position as shown in the diagram, please adjust the inner core with a S6 wrench.

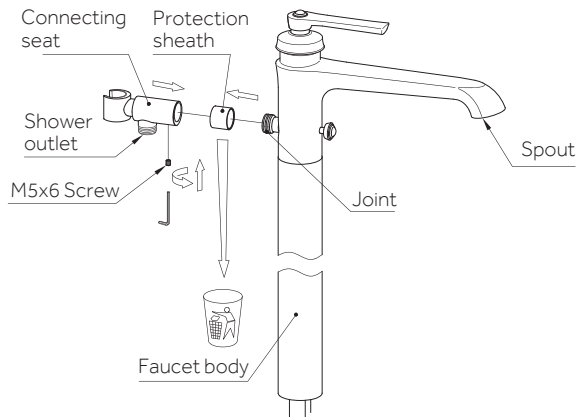


# COOPER

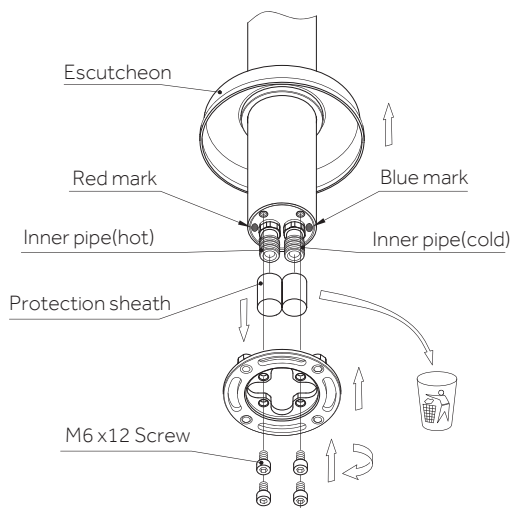
## FREESTANDING TUB FAUCET

SKU: 950732

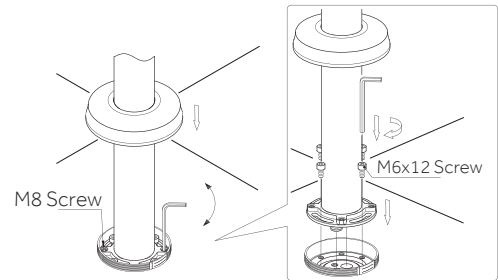
13. Take off protective sheath from the joint, insert the connection seat into the faucet body (the spout is face down), then tighten with M5 x 6 screw to faucet body firmly



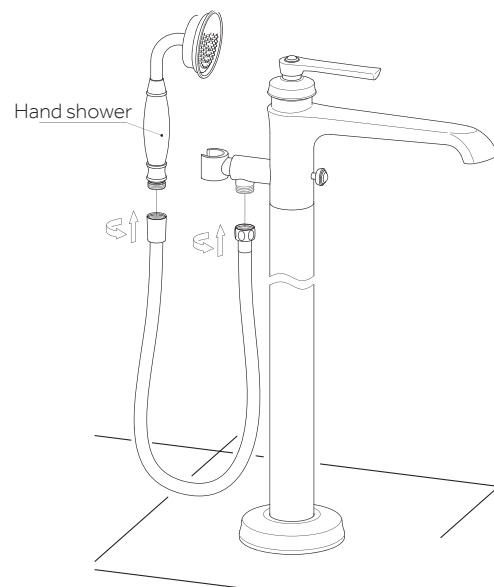
14. Take off protection sheath from inner pipes of the faucet body, put on escutcheon carefully to avoid scratching the surface of the faucet body. Fix flange (the side with counter bore back against faucet body) with M6 x 12 screws to faucet body firmly.



15. Connect the inlet pipe of the faucet body into the outlet hole of the inner core vertically (pay attention to the hot [red] and cold [blue] correspondence). Fix the faucet body onto the rough-in base with locking screws. Using level, ensure the faucet body is level. Tighten the locking screws directly if the faucet body is upright. Otherwise, adjust the M8 screws on the flange until the faucet body is upright, then tightening the locking screws. Press the escutcheon down onto the floor.



16. Connect hand shower and faucet body with hose.



# COOPER

## FREESTANDING TUB FAUCET

SKU: 950732

Once installation is complete, turn the faucet on. Allow the water to flow for approximately 60 seconds to check for any leaks. Ensure that hot and cold water are running appropriately. Divert water to the hand shower and run for another 60 seconds.

