

BEFORE YOU BEGIN

We recommend consulting a professional if you are unfamiliar with installing this type of product. Signature Hardware accepts no liability for any damage to the floor, walls, plumbing, sink, or personal injury during installation.

Observe all local plumbing and building codes.

Unpack and inspect the sink for damage. If any damage is found, contact our Customer Relations team at 1-866-855-2284.

GETTING STARTED

- Ensure that you have gathered all of the required materials that are needed for the installation.
- Because wall construction and materials vary from home to home, Signature Hardware does not always provide mounting hardware. The appropriate mounting hardware can be purchased from your local hardware store.
- The sink must be fastened to studs behind the finished wall. If the studs do not align with the sink, proper wood blocking must be installed between the studs where the sink will mount.
- For the following instructions, it is assumed that the in-wall plumbing has already been prepared.

TOOLS AND MATERIALS:



Pencil



Tape Measure



Level



Silicone Sealant
(100% Neutral
Cure)



Stud Finder



Drill



Socket Wrench



Lag Bolts

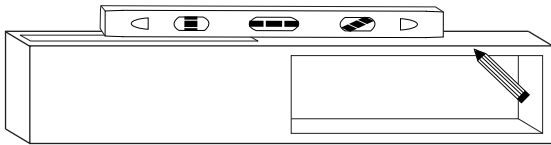


Drywall Anchors

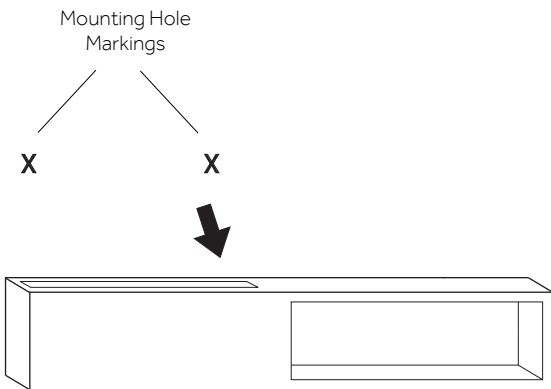
INSTALLATION

1. Hold the sink up at the desired installation location. Ensure that the sink is level, then mark the location of the mounting holes on the back of the sink.

Important: The sink should be anchored to solid wood blocking installed behind the finished wall. We recommend consulting a professional if you are unfamiliar with this type of installation.

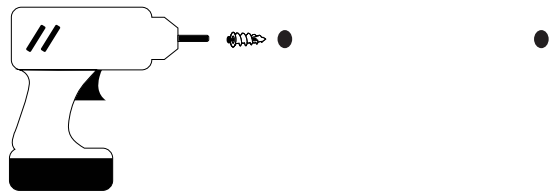


2. Move the sink away from the installation location. For convenience, install the drain and faucet onto the sink before moving on.



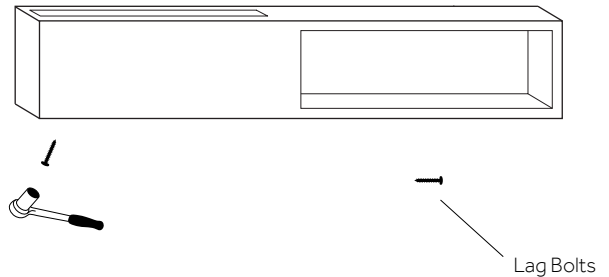
3. Drill pilot holes at the marked locations of the sink's mounting holes. If using anchors, insert the anchors into the drilled holes.

Important: Attaching the sink to a hollow wall where studs or wood blocking are not present could result in future injury or extensive damage to your home if an accident were to occur. Consult a professional if you are unsure, or unfamiliar with this type of installation.



4. Move the sink and pedestal back into position at the installation location. Attach the sink to the wall using lag bolts. Tighten the lag bolts using a socket wrench to secure the sink to the wall.

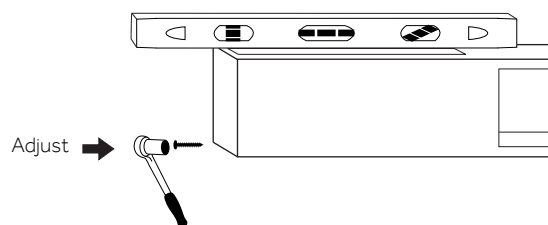
Important: The sink is fragile. Be very careful not to overtighten the lag bolts, which could crack or break the sink.



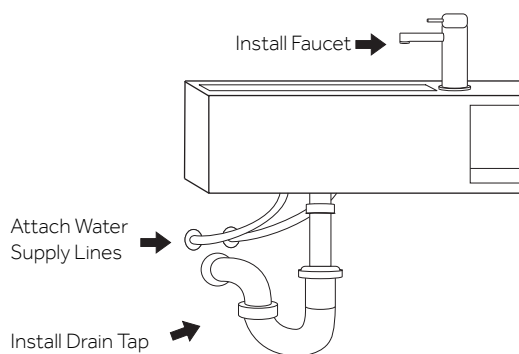
WALL MOUNT RESIN SINK

SKU: 932948

5. Use a level to ensure that the sink remained aligned while securing. Slightly loosen the lag bolts to adjust as needed.



6. Proceed to the installation of the drain trap, water supply lines, and sink faucet if not already installed. Refer to their respective installation instructions for guidance if needed.



7. Complete the installation by applying a thin bead of silicone around the back of the sink, where it meets the wall. This will prevent water from getting behind the sink, which could damage drywall.

