

ELMDALE

SURFACE MOUNT MEDICINE CABINET

SKU: 951664, 951665, 951666

BEFORE YOU BEGIN

We recommend consulting a professional if you are unfamiliar with installing plumbing fixtures. Signature Hardware accepts no liability for any damage to the medicine cabinet, wall, or for personal injury during installation.

Observe all local plumbing and building codes.

Unpack and inspect the product for shipping damage. If any damage is found, contact our Customer Relations team at 1-866-855-2284.

GETTING STARTED

- Ensure that you have gathered all the required materials that are needed for the installation.

TOOLS AND MATERIALS:



Level



Stud Finder



Drill



Pencil



Phillips
Screwdriver

For Warranty information, please visit: signaturehardware.com/services/warranty

REVISED 01/28/2021
CODES: 532236, 532237, 532238
532246, 532247, 532248

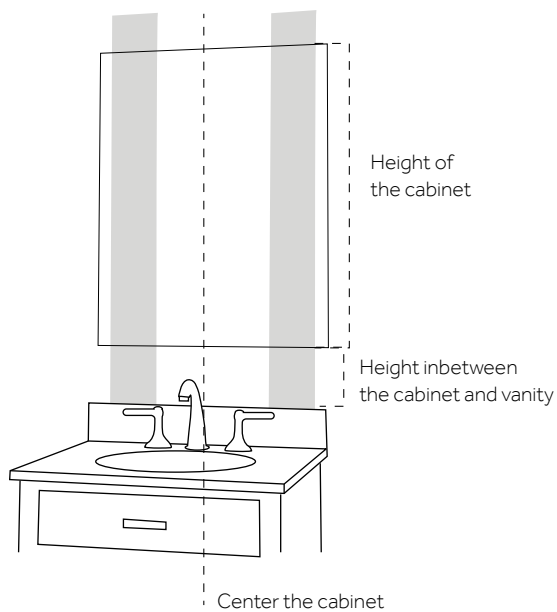
ELMDALE

SURFACE MOUNT MEDICINE CABINET

SKU: 951664, 951665, 951666

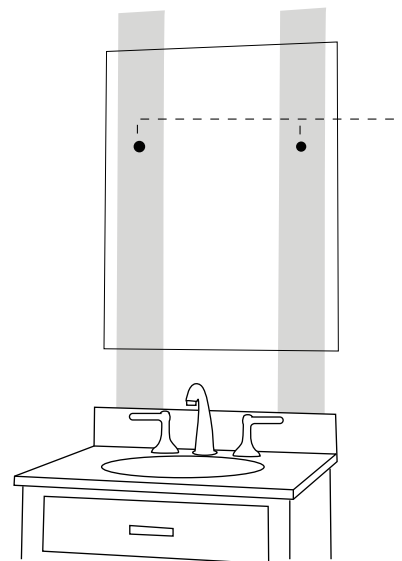
INSTALLATION

1. Center the cabinet above the sink at the appropriate height and draw a leveled outline of your cabinet on the wall.



2. Locate and mark the position of the wall studs to which you will fasten your medicine cabinet. You can find studs by listening for a solid sound as you knock on the wall or by using a stud finder. If mounting holes are not pre-drilled, transfer these marks to the inside of the cabinet.

Tip: If the studs in your bathroom do not line up to the mounting location for your cabinet., wood blocking can be installed between the studs using standard 2 x 4's. If wood blocking needs to be installed behind the finished wall, we recommend consulting a professional if you are unfamiliar with this type of installation.



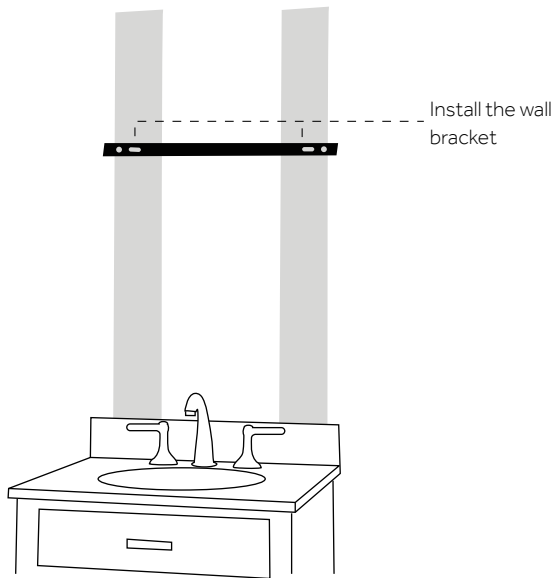
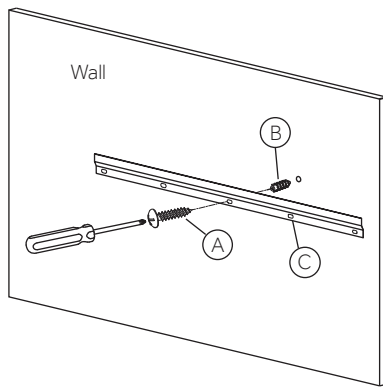
3. Measure the location of the mounting rail on the back of the cabinet to determine the location of your wall bracket. Use the top of the cabinet as your guideline. Use your level to verify that the wall bracket is properly aligned.

ELMDALE

SURFACE MOUNT MEDICINE CABINET

SKU: 951664, 951665, 951666

4. Drill pilot holes and install the wall bracket (C). Insert wall anchors (B) into pilot holes. Secure wall bracket with provided hardware (A). Consult a professional in you are unfamiliar with this type of installation.



5. With the help of another person, hang your medicine cabinet by attaching the mounting rail to the wall bracket.

