

NADIYA

WALL-MOUNT VANITY

SKU: 950070, 950071, 950072, 950073, 950074, 950075, 950076, 950077, 950078

BEFORE YOU BEGIN

We recommend consulting a professional if you are unfamiliar with installing bathroom hardware. Signature Hardware accepts no liability for any damage to the vanity, plumbing, countertop, sink, wall, or for personal injury during installation.

Observe all local plumbing and building codes.

Unpack and inspect the product for shipping damage. If any damage is found, contact our Customer Relations team at 1-866-855-2284.

GETTING STARTED

- Ensure that you have gathered all of the required materials that are needed for the installation.
- Because wall construction and materials vary from home to home, Signature Hardware does not always provide mounting hardware. The appropriate mounting hardware can be purchased from your local hardware store.
- The vanity must be fastened to studs behind the finished wall. If the studs do not align with the vanity, proper wood blocking must be installed between the studs where the vanity will mount.

TOOLS AND MATERIALS:



Pencil



Level



Drill



Tape Measure



Phillips
Screwdriver



Lag Bolts

REVISED 04/06/2020

CODES: 531666, 531667, 531668, 531669
531670, 531671, 531672, 531673, 531674

For Warranty information, please visit: signaturehardware.com/services/warranty

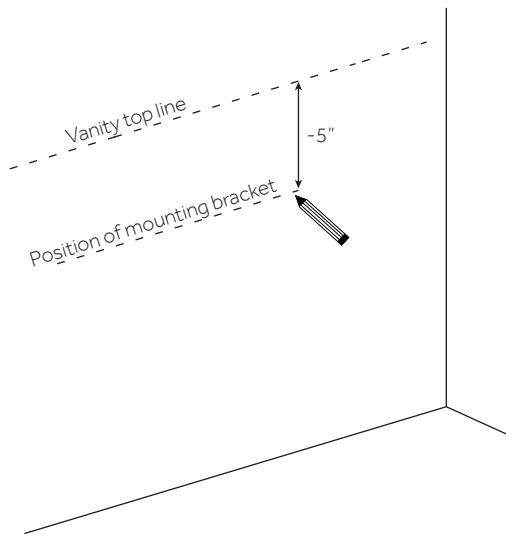
NADIYA

WALL-MOUNT VANITY

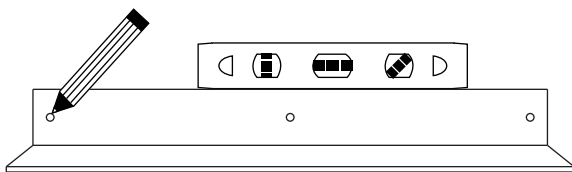
SKU: 950070, 950071, 950072, 950073, 950074, 950075, 950076, 950077, 950078

INSTALLATION

1. To determine height of included mounting bracket. Measure to desired height of vanity top, measure 5" below desired location of vanity and mark measurement.

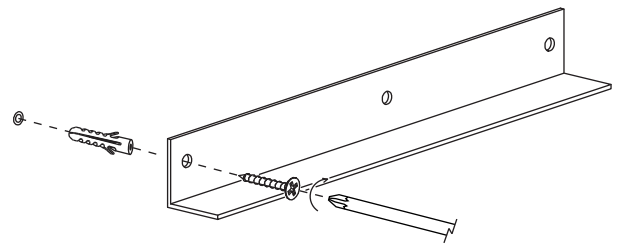


2. Place top edge of mounting bracket at marked location. Mark through mounting points on bracket. Use level to ensure leveled installation of mounting bracket.



3. Drill pilot holes at marked mounting points. Insert wall anchors into the mounting holes for reinforcement. Align mounting bracket with pilot holes and secure with provided hardware.

Note: Installation can vary depending on wall material, be sure to use the appropriate hardware for your installation. We recommend consulting a professional if you are unfamiliar with this type of installation



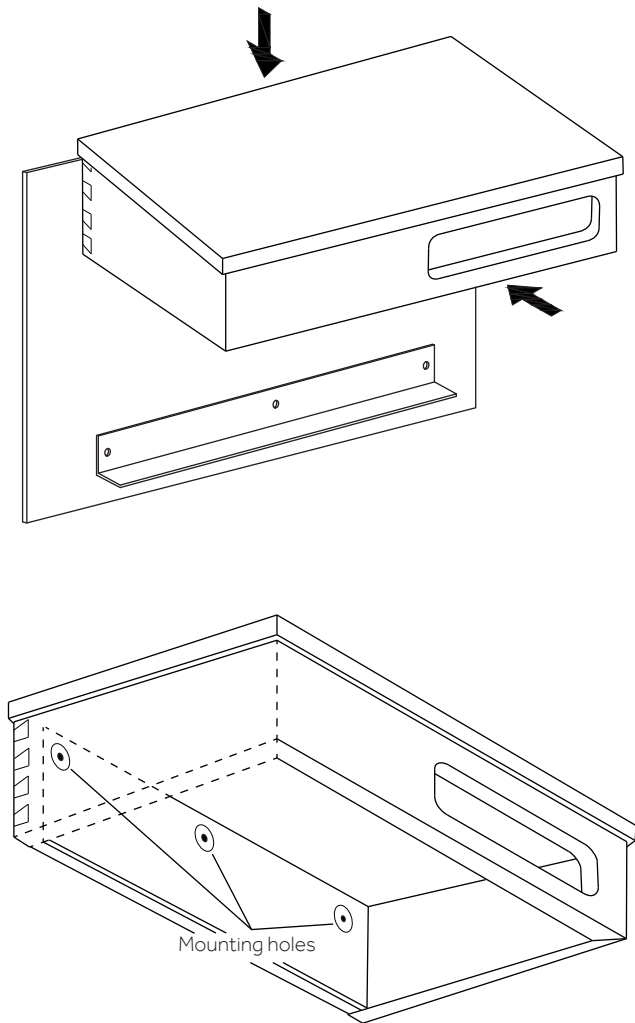
NADIYA

WALL-MOUNT VANITY

SKU: 950070, 950071, 950072, 950073, 950074, 950075, 950076, 950077, 950078

4. Rest vanity on mounting bracket. From the underside of the vanity mark through the 3 mounting holes on the back of the vanity.

Note: A skinny pointed tool, such as a screw or screwdriver can be used to mark mounting points through the vanity.



5. Drill pilot holes at marked location. Once pilot holes are drilled, install vanity using lag bolts and washers.

Important: If the studs in your bathroom do not line up to the mounting location for your vanity, wood blocking can be installed between the studs using standard 2 x 4's. If the wood blocking needs to be installed behind the finished wall, we recommend consulting a professional if you are unfamiliar with this type of installation.

