

# NORTHING

## FIRECLAY FARMHOUSE SINK

SKU: 932400, 932403, 926904, 926568

### BEFORE YOU BEGIN

Unpack and inspect the sink for any shipping damages and ensure that none of the required pieces are missing. If you find any damages, do not install. Contact Customer Service at 1-855-715-1800. If you need assistance while installing your new farmhouse sink, call our Customer Service number.

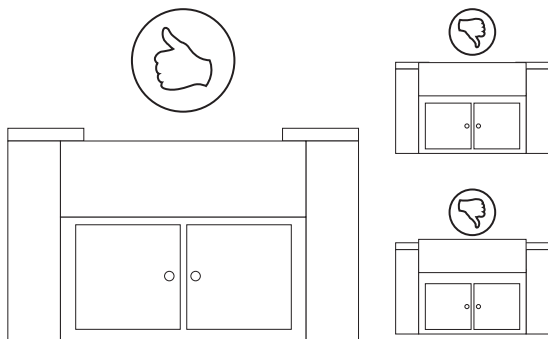
Due to the manufacturing process, each sink will vary slightly dimensionally. Farmhouse sinks may require custom cabinetry. We recommend consulting an experienced cabinet maker for assistance. Providing the cabinet maker with the actual sink to be installed will ensure a custom fit.

Please use assistance when lifting the sink in order to avoid personal injury.

We recommend consulting a professional if you are unfamiliar with installing kitchen fixtures and plumbing. Signature Hardware accepts no liability for any damages to the floor, walls, plumbing or personal injury during installation.

We recommend undermount sink installation. Flush-mount and built-up installation are not recommended.

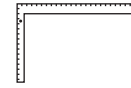
Ensure there is adequate room for the faucet and backsplash installations.



### TOOLS AND MATERIALS:



Safety Glasses



Framing Square



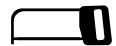
Pencil



Tape Measure



Level



Hacksaw



Thread Sealant



Wood Shims



Basin Wrench



Drill

**\*\*Sealant - We recommend the use of a stone, marble and granite silicone caulk or a general purpose silicone sealant.**

For Warranty information, please visit: [signaturehardware.com/services/warranty](https://signaturehardware.com/services/warranty)

REVISED 09/28/2020  
CODES: 494158, 527229, 400843  
527237, 494159, 527230, 527236

# NORTHING

## FIRECLAY FARMHOUSE SINK

SKU: 932400, 932403, 926904, 926568

### MATERIAL DESCRIPTION AND CARE

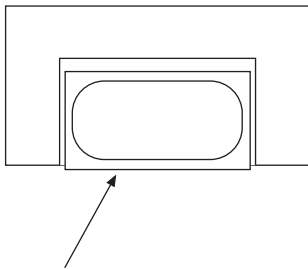
Fireclay is known for its strength and durability. Fireclay sinks are made of clay that is fired at a heat of over 2,000 degrees Fahrenheit. This produces an ideal material that is resistant to scratching, staining, fading and discoloring.

Use a soft, non-scratching sponge or cloth with mild soap and warm water or a gentle all-purpose cleaner for everyday cleaning. Wipe the surface dry with a clean, soft cloth after each use. Use a non-abrasive liquid or cream bathroom cleaner for tough stains.

To avoid scratching, do not use highly aggressive cleaners such as scouring liquids and powders or drain cleaners. To avoid potential stains or damages to the finish avoid soaking dishes for long periods of time and do not leave coffee grounds or teabags sitting in the sink.

### TEMPLATE AND CUTOUT

No template is provided since each sink will vary dimensionally. After centering the sink, trace the outline of the sink on the counter-top with a pencil to use as a guide for the cutout. Remember to allow clearance for any faucets and/or backsplashes. Cut the counter-top accordingly.



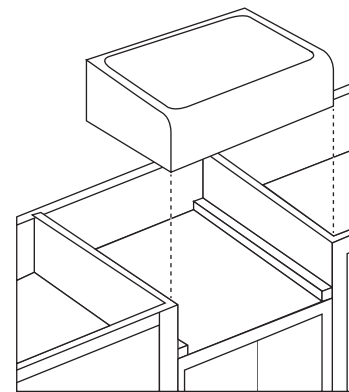
### PREPARE THE CABINET

Farmhouse sinks may require custom cabinetry. We recommend consulting an experienced cabinet maker for assistance. Providing the cabinet maker with the actual sink that is to be installed will ensure a custom fit.

Allow clearance for the water supply lines, drains and a garbage disposal, if applicable. Build a support frame or install support bars from front to back along the inner sides of the cabinet. The frame must support the weight of the sink and all attachments.

The support frame should be positioned so that when installed, the sink is in line and level with the top of the cabinet.

**Note:** It may be necessary to custom scribe the cabinet sides or, if needed, add wood filler strips to accommodate the slight taper of the apron front.



# NORTHING

## FIRECLAY FARMHOUSE SINK

SKU: 932400, 932403, 926904, 926568

### FINAL PLACEMENT

Test fit the sink in the opening that was created in the previous steps. The entire weight of the sink should be supported by the support frame. Verify that the sink is in line and level with the top of the cabinet. Use shims, if needed, to level the sink.

Set the sink and apply your sealant to fill in any gaps below the sink front, and between the sink and counter-top. Hold the sink in place to secure. Place the counter-top onto the sink and remove any excess sealant from all surfaces.

