



MEDICINE CABINET

INSTALLATION INSTRUCTIONS

Before installing, read entire Medicine Cabinet Installation Instructions. Observe all local building and safety codes.

Unpack and inspect the product for any shipping damages. If you find damages, do not install. Contact Customer Service at 1-866-855-2284. If you need assistance or have questions while installing your medicine cabinet, contact Customer Service.

A recessed medicine cabinet needs to be anchored inside the wall to rectangular framing. This framing must be clear of all obstructions. If there are any wires or plumbing lines that cannot be relocated you will need to install a surface-mount cabinet, rather than a recessed cabinet. We recommend consulting a professional if you are unfamiliar with this type of installation. Signature Hardware accepts no liability for any damage to the cabinet or wall, or for personal injury during installation.

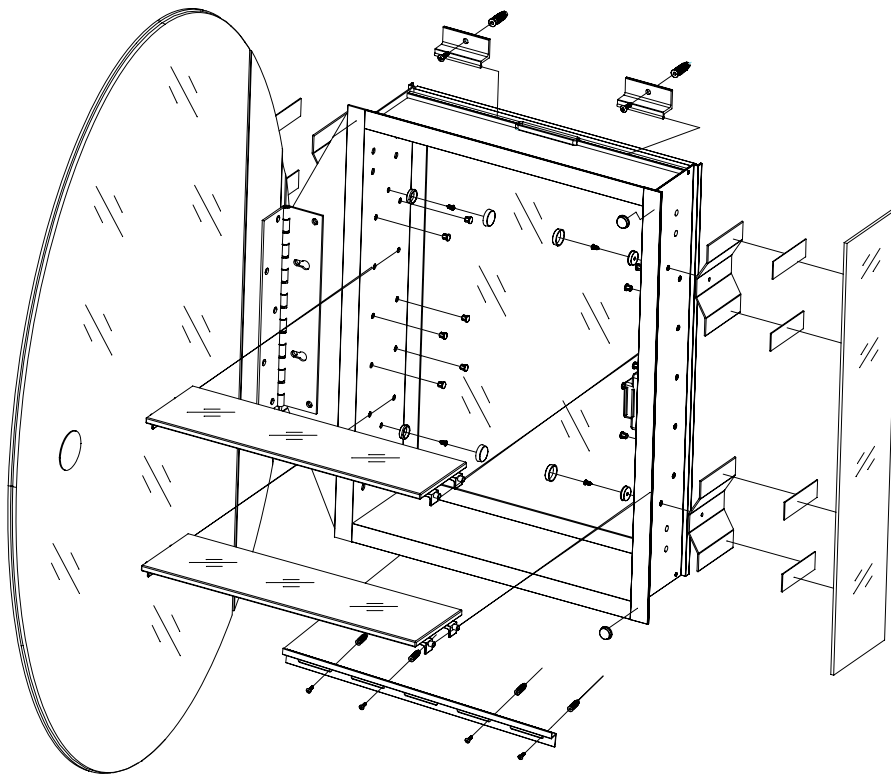
TOOLS AND MATERIALS:

Pencil
Keyhole or Reciprocating Saw
Wood Shims

Level
Drill
Tape Measure

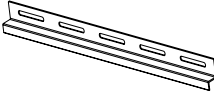
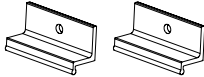

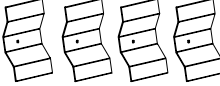

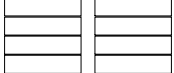








Utility Knife
Wood Screws

EXPLODED VIEW:

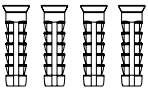
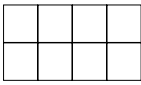
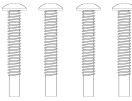
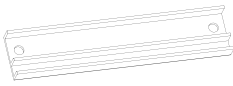
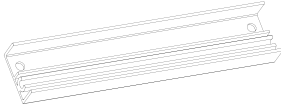
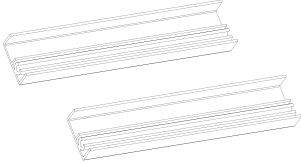




PARTS LIST:

Item	Description	Drawing	Quantity
1	Bottom Bracket		1
2	Top Clip		2
3	Side Mirror (Open Side)		1
4	Side Mirror Bracket		4
5	3/8" Side Mirror Bracket Screw		4
6	Side Mirror Bracket Tape		2
7	Shelf Clip		8
8	Shelf Mounting Hole Plug		12
9	Decorative Cap		4
10	Washer		4
11	Bumper Pad		1
12	Side Mirror (Hinge Side)		1
13	Glass Shelf		2
14	1-1/2" Screw		4

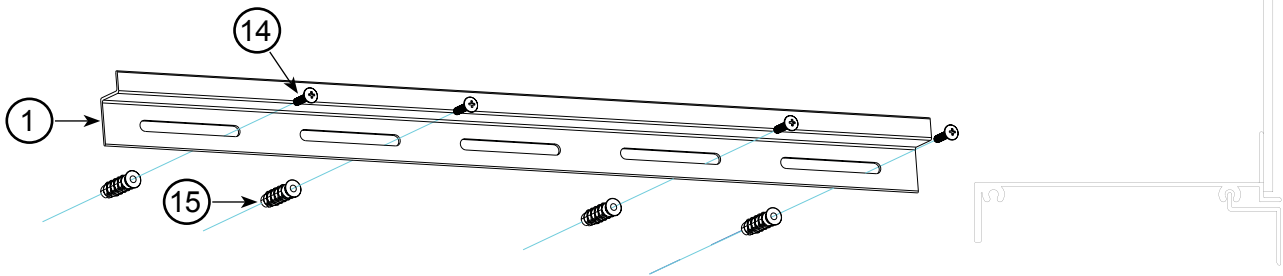


Item	Description	Drawing	Quantity
15	Wall Anchor		4
16	Shelf Clip Tape		1
17	1" Screw		4
18	Recess Frame (Hinge Side)		1
19	Recess Frame (Open Side)		1
20	Recess Frame (Short)		2

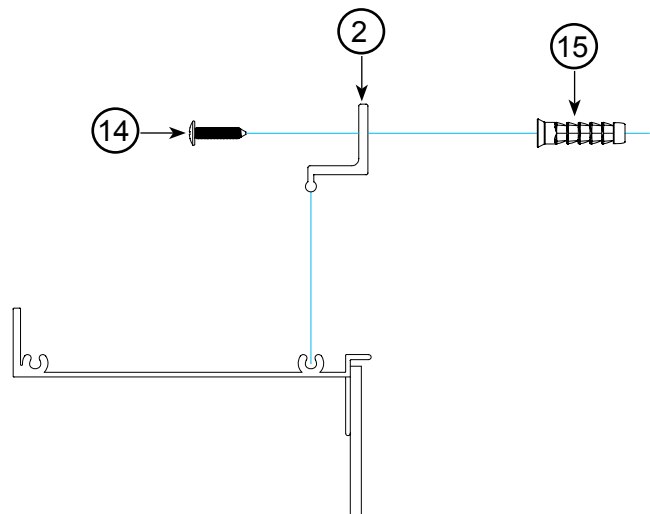
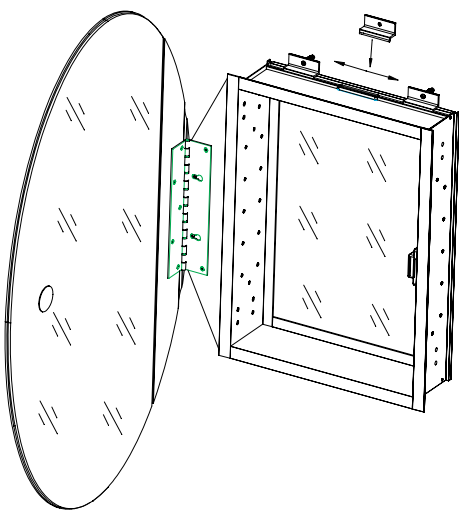


SURFACE MOUNT INSTALLATION

1. Attach the bottom bracket to the wall with the provided mounting hardware. Set the cabinet on the bracket.

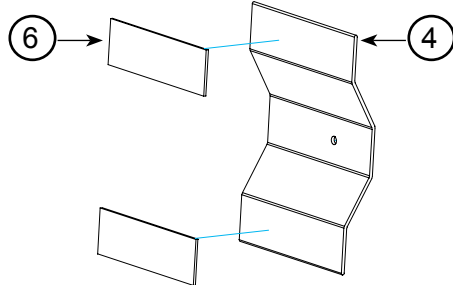


2. Install the top clips by inserting the rounded end into the slot on the back of the cabinet.
3. Arrange the top clips on each side as shown in the image below.
4. Drive the 1-1/2" screws through the top clips into the wall.





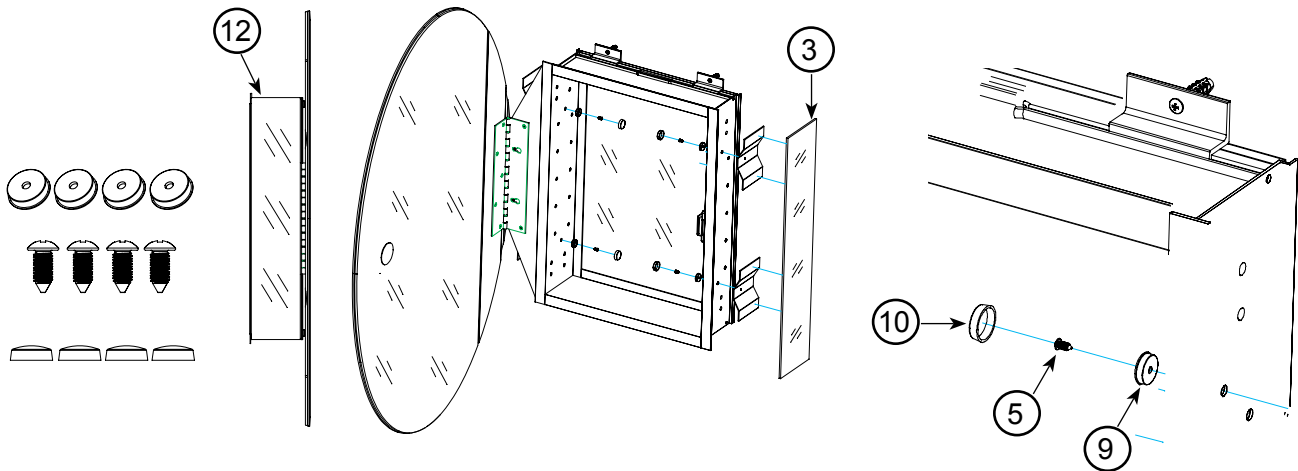
5. Attach the side mirror bracket tape to the side mirror brackets.



6. Attach the side mirror brackets with the 3/8" screws.

7. Cover the mounting screws with the decorative caps.

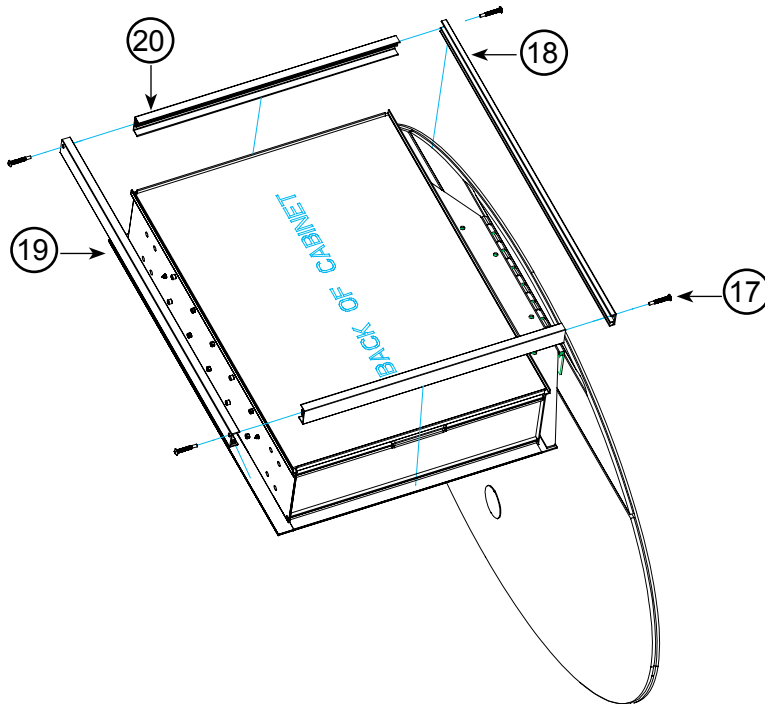
8. Attach the side mirror to the side of the cabinet.



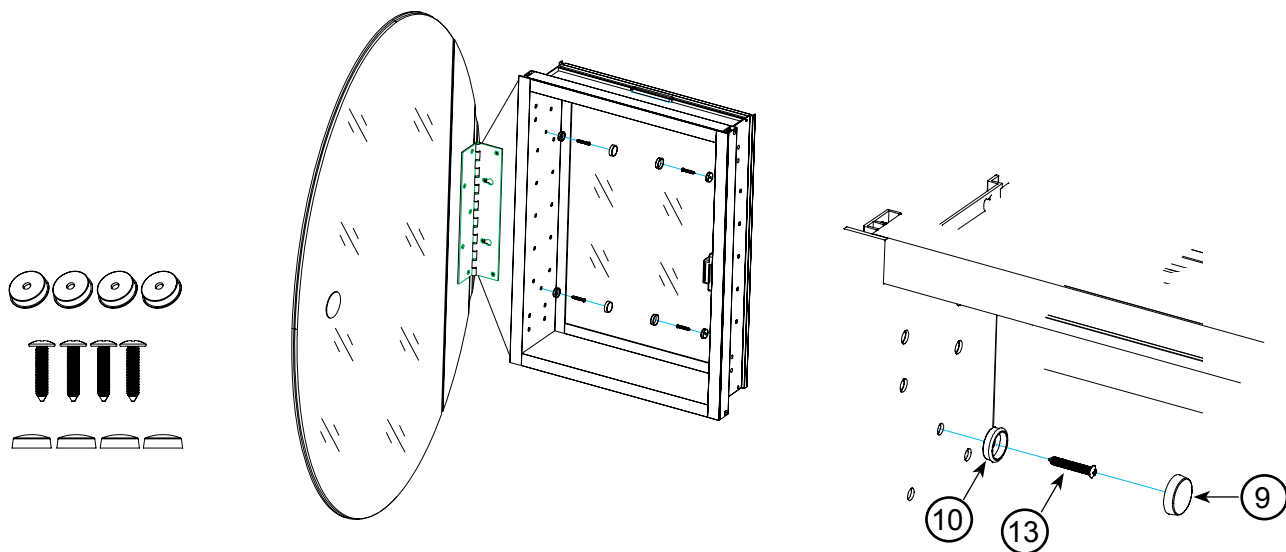


RECESS INSTALLATION

1. Assemble the recess frame using six 1" screws.

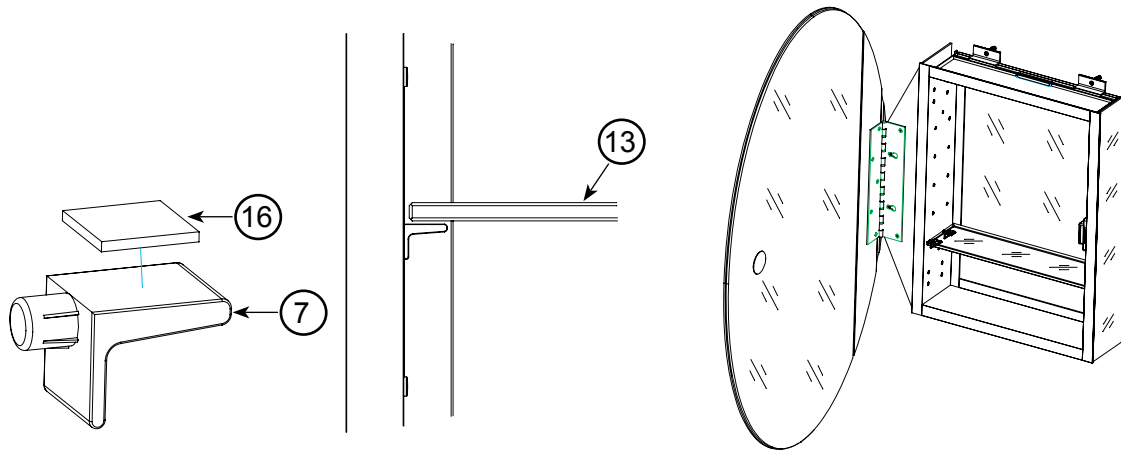


2. Drill 3/16" diameter holes in the mounting screw locations. Insert wall anchors.
3. Fasten both sides of the cabinet with 1-1/2" screws and washers.
4. Cover the mounting screws with the decorative caps.

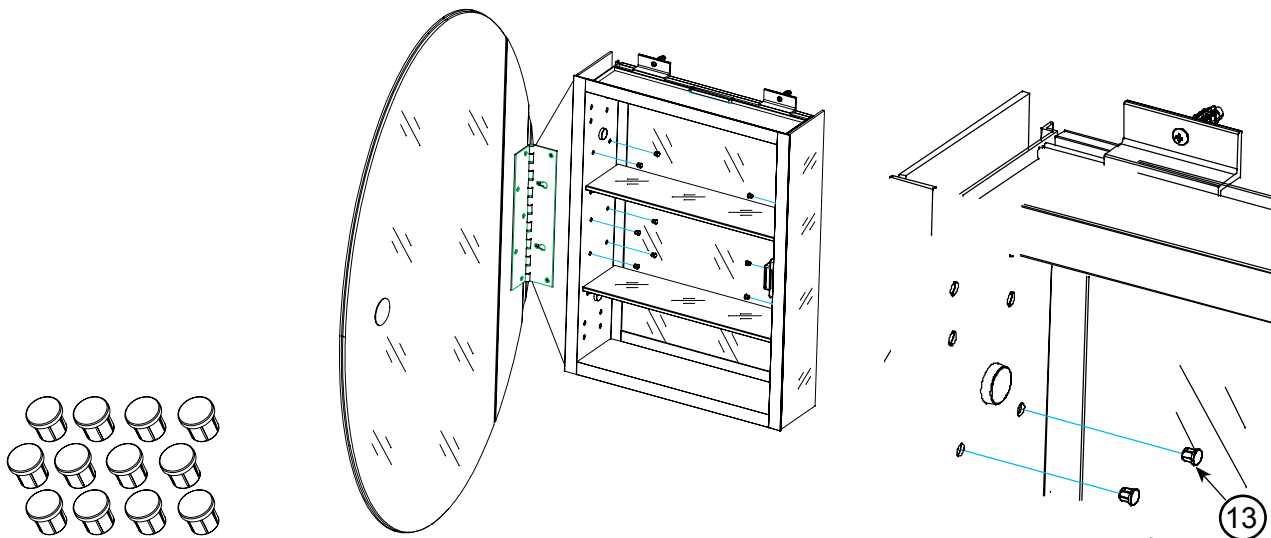




5. Stick the bracket tape onto the shelf clips and insert shelf clips into the mounting holes.
6. Carefully install the glass shelves.



7. Fill any remaining mounting holes with the shelf mounting hole plugs.





8. Place the bumper pads on the corners of the cabinet.

