

OVERSIZED RAINFALL SHOWER

SKU: 937841

BEFORE INSTALLING

Unpack and inspect the product for any shipping damages. If you find damages, do not install. Contact Customer Service at 1.855.715.1800. If you need assistance or have questions while installing your shower head contact Customer Service.

We recommend consulting a professional if you are unfamiliar with installing bathroom fixtures or plumbing. Signature Hardware accepts no liability for any damage to the ceiling or wall, or for personal injury during installation.

GETTING STARTED

- Ensure that you have gathered all the required materials that are needed for the installation.
- For these instructions, it is assumed that the old faucet has been completely removed and any necessary repairs or modifications to the water supply have been completed.

TOOLS AND MATERIALS:



Screwdriver



Marker



Drill



Plumbers Tape

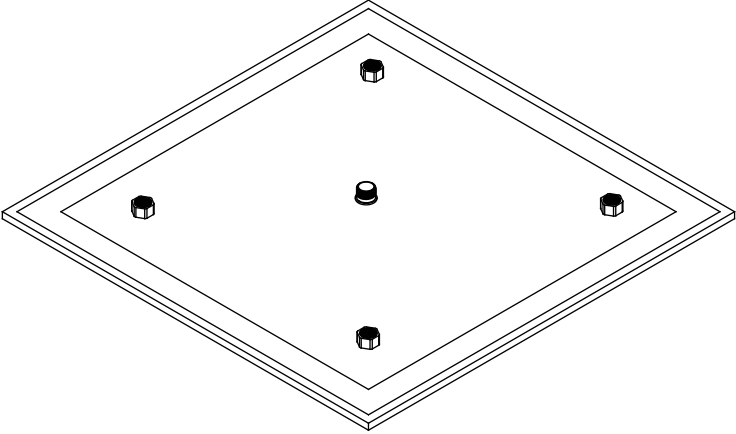
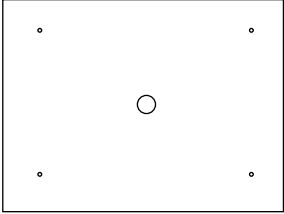

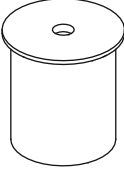
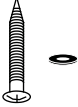

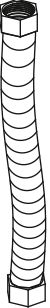
For Warranty information, please visit: signaturehardware.com/services/warranty

REVISED 09/23/2020
CODES: 513501, 513502, 513503, 513504

OVERSIZED RAINFALL SHOWER

SKU: 937841

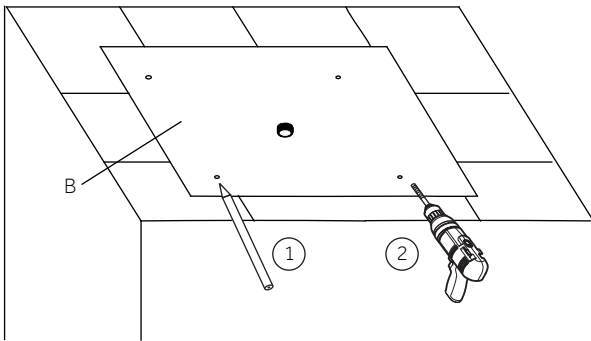
PARTS LIST

A x 1 	B x 1 
E x 4 	C x 4 
	D1 x 4  D2 x 4 
	F x 1 

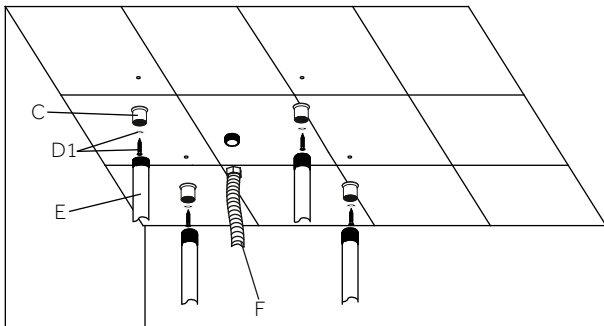
OVERSIZED RAINFALL SHOWER

SKU: 937841

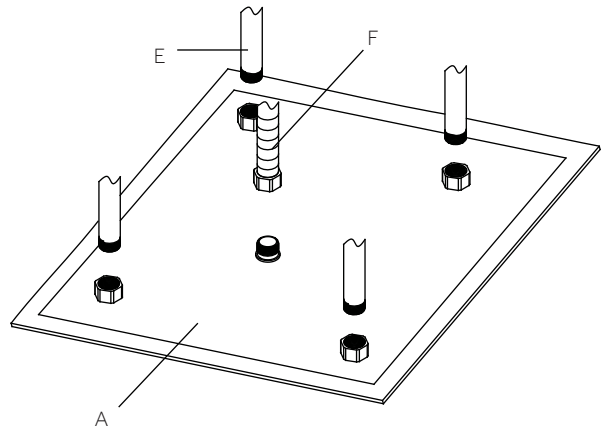
1. According to the template (B) mark the location of the mounting holes (1). Use a drill with a $\varnothing 6\text{mm}$ bit to drill mounting holes into studs or blocking.



2. Install the mounting brackets (C) with the tapping screws (D1). Thread the shower bars (E) onto the mounting brackets, and the inlet hose (F) onto the water inlet.



3. Attach the shower head (A) to the shower bars (E). Connect the inlet hose (F) to the shower head.



4. The installation is complete.

