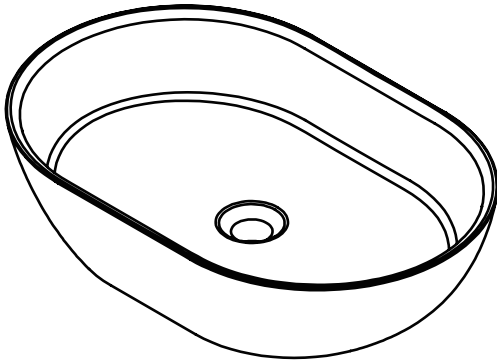


ATRIA VESSEL SINK

Product Code: SH129071MWH



Product Features

- Material: Solid Surface
- Finish: Matte white
- Installation: Vessel
- Drain placement : Center

Product Dimensions

- Overall size (LxWxH) : 22-3/4" x 15" x 5-1/2"
- Bowl size (LxWxH) : 21-11/16" x 14" x 3-13/16"
- Internal depth : 3-13/16"

Codes and Certifications

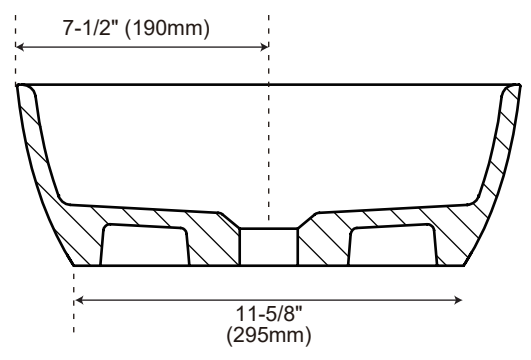
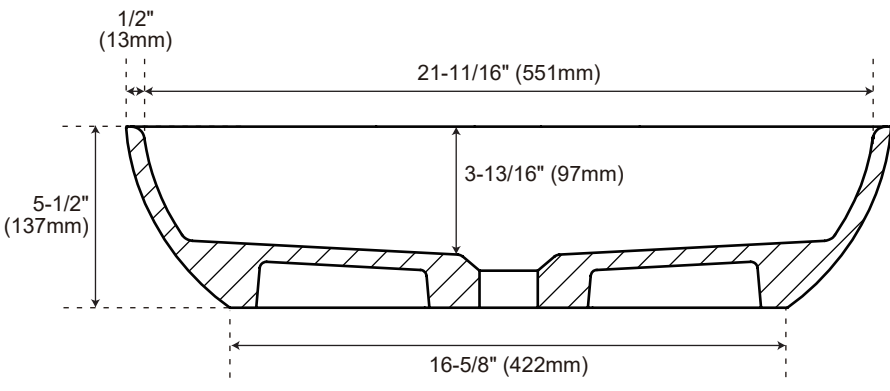
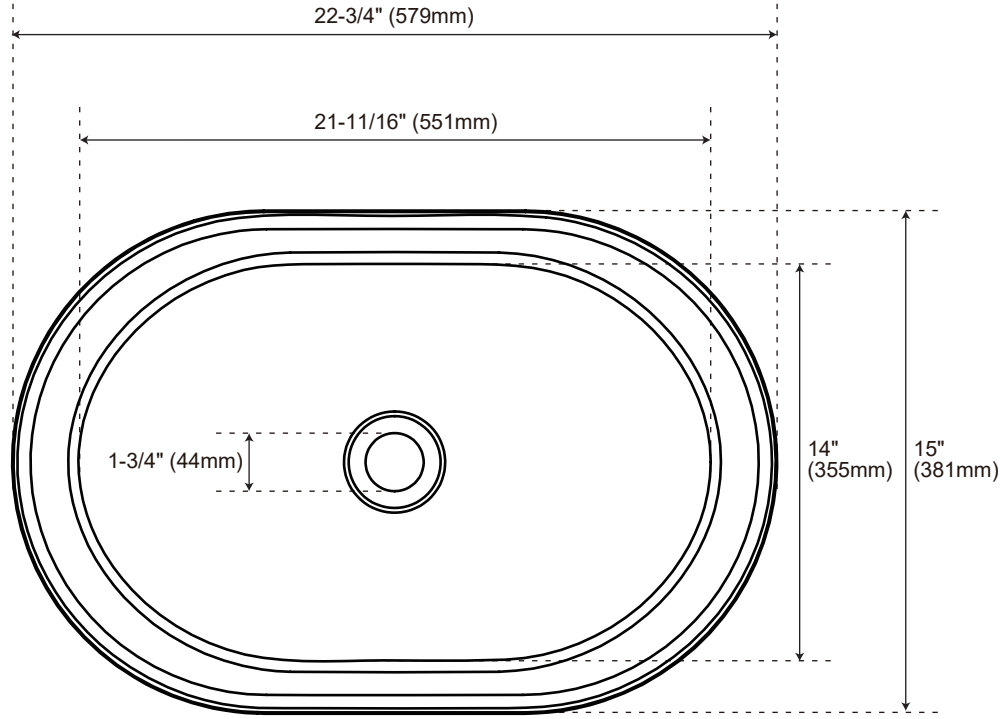


- CSA B45.5/IAPMO Z124,
Massachusetts Accepted

Revised: 3/11/26

ATRIA VESSEL SINK

Product Code: SH129071MWH



All dimensions and specifications are nominal and may vary. Use actual products for accuracy

Revised: 3/11/26