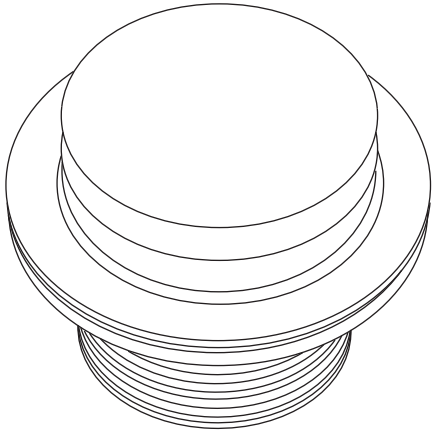


TOE TAP TUB DRAIN

Product Code: SH439074



Product Features

- Material: Zinc drain body and brass cover plate
- Fits 1-1/2" NPSM bathtub waste drain joint
- Product has rubber seal washers
- Easy open and close just by pressing the stopper
- Does not require under floor access for installation

Product Dimensions

- 1-1/2"-11.5 NPSM drain body thread
- 3/8"-16 UNC stopper thread

Codes and Certifications

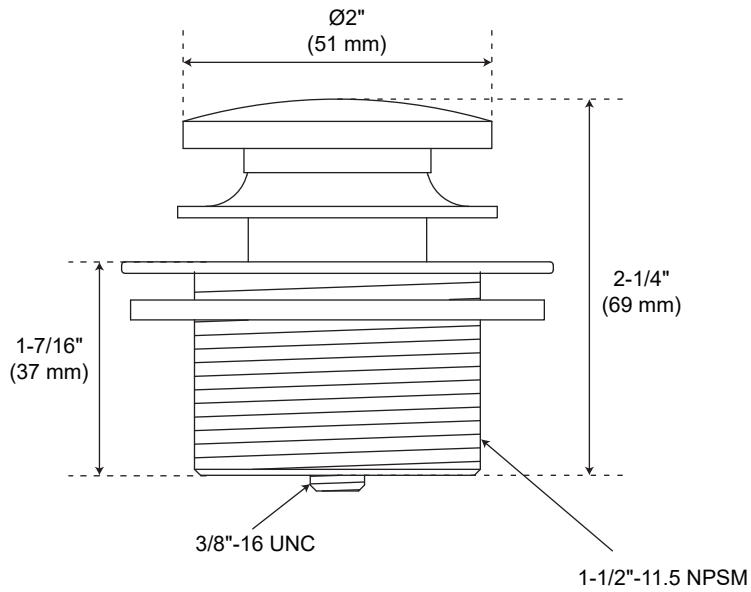
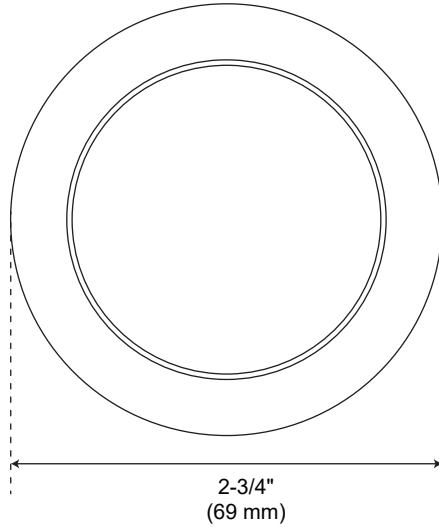


- ASME A112.18.2/CSA B125.2,
- Massachusetts Accepted
- Meets ADA requirement's for a bath tub drain

Revised: 04/17/2026

TOE TAP TUB DRAIN

Product Code: SH439074



All dimensions and specifications are nominal and may vary. Use actual products for accuracy