



## RECESSED MEDICINE CABINET

### INSTALLATION INSTRUCTIONS

Before installing, read entire Recessed Medicine Cabinet Installation Instructions. Observe all local building and safety codes.

Unpack and inspect the product for any shipping damages. If you find damages, do not install. Contact Customer Service at 1-866-855-2284. If you need assistance or have questions while installing your medicine cabinet, contact Customer Service.

A recessed medicine cabinet should be anchored inside of the wall to rectangular framing. This framing must be clear of all obstructions. If there are any wires or plumbing lines that cannot be relocated you will need to install a surface-mount cabinet, rather than a recessed cabinet. We recommend consulting a professional if you are unfamiliar with this type of installation. Signature Hardware accepts no liability for any damage to the cabinet or wall, or for personal injury during installation.

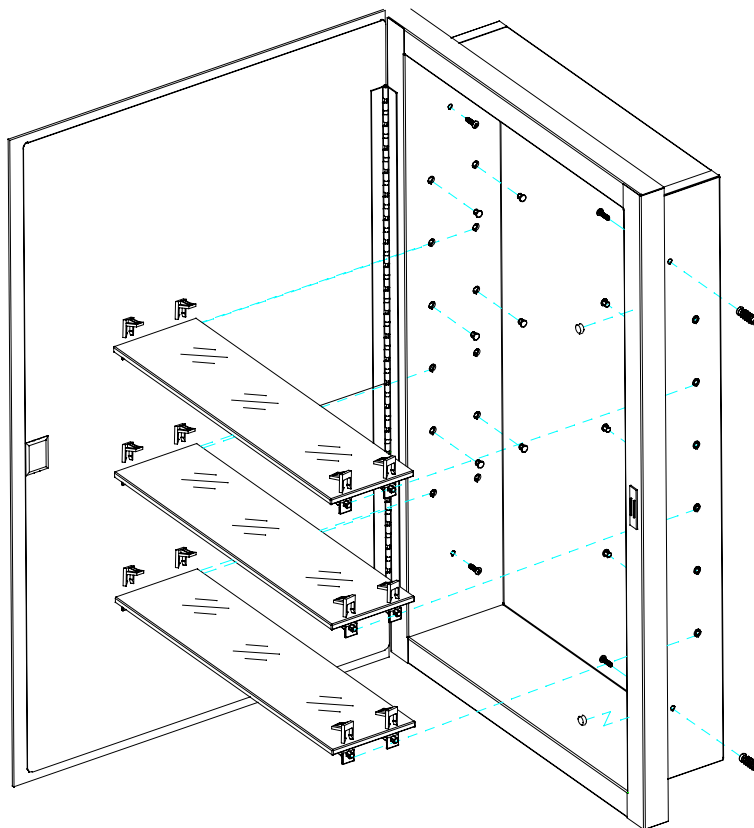
### TOOLS AND MATERIALS:

Pencil  
Keyhole or Reciprocating Saw  
Wood Shims

Level  
Drill  
Tape Measure

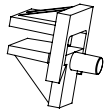

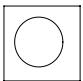
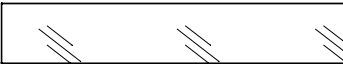

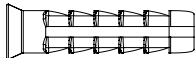
Utility Knife  
Wood Screws

### EXPLODED VIEW:





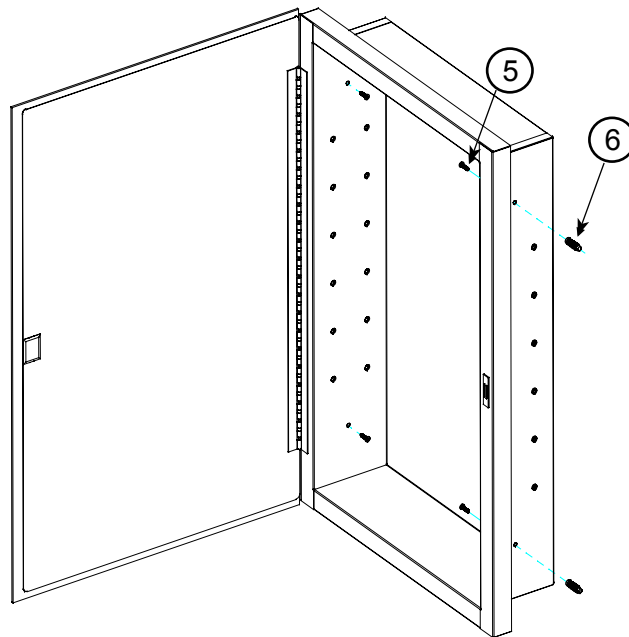
**PARTS LIST:**

Item	Description	Drawing	Quantity
1	Shelf Clip		12
2	Shelf Mounting Hole Plug		12
3	Bumper		2
4	Glass Shelf		3
5	1-1/2" Screws		4
6	Wall Anchors		4



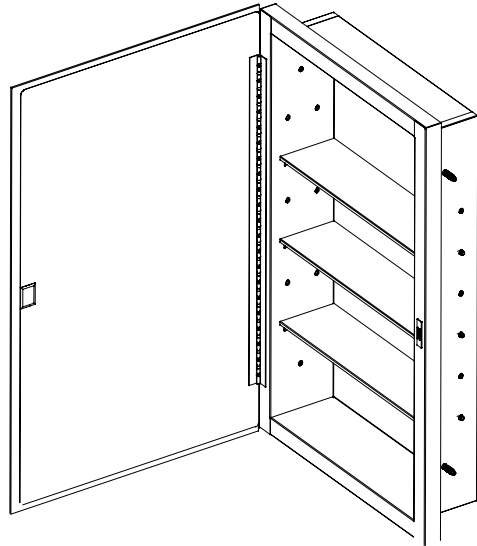
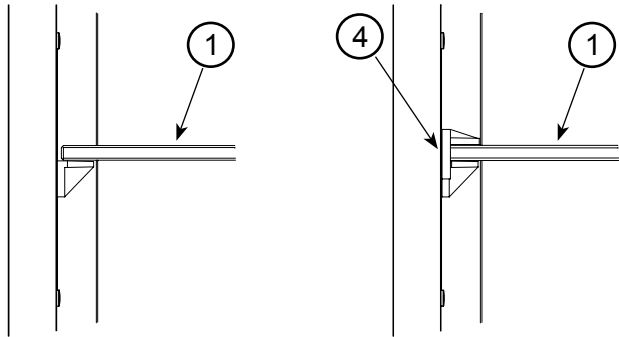
## INSTALLATION

1. To cut the hole for your recessed cabinet, center the cabinet above the sink at the appropriate height and draw a leveled outline of the back of the cabinet on the wall.
2. Score the outline with a utility knife and level. After the area is scored, cut out the area with a keyhole or reciprocating saw and remove the drywall.
3. When the space has been cleared of all obstructions, firmly attach horizontal 2 x 4 blocking to the vertical wall studs with wood screws to create the framing for your cabinet. Make sure the drywall is secured to the edge of the wall studs, inserting screws as necessary.
4. Slide the medicine cabinet into place. Verify that the cabinet is level; use wooden shims to adjust as necessary.
5. Attach the cabinet to the wood blocking by driving 1/4" screws through the mounting holes in the sides of the cabinet.

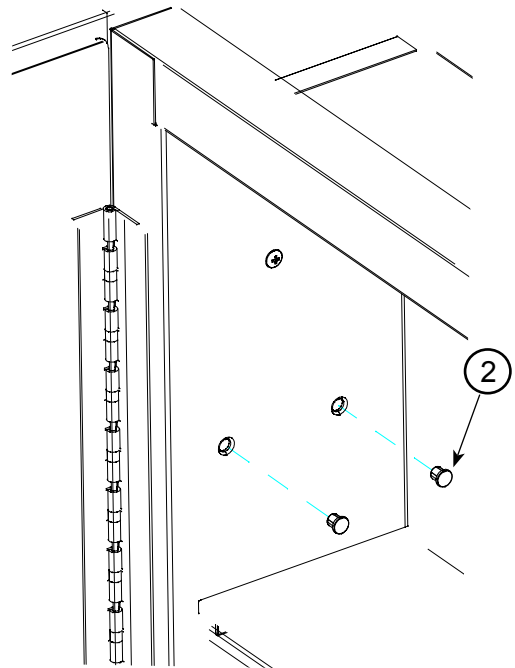
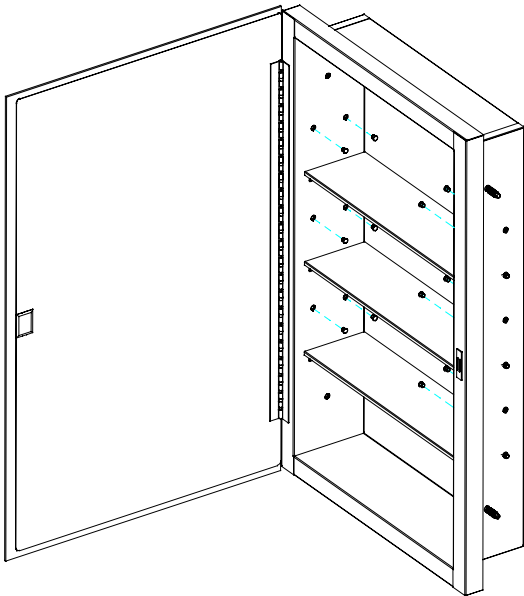




6. Insert the shelf clips into the mounting holes inside the cabinet and carefully install the shelves.



7. Place the shelf mounting hole plugs in remaining mounting holes.





8. Place the small bumper pads on the face of the cabinet.

