



RECESSED MEDICINE CABINET

BEFORE INSTALLING

Read entire Recessed Medicine Cabinet Installation Instructions. Observe all local building and safety codes.

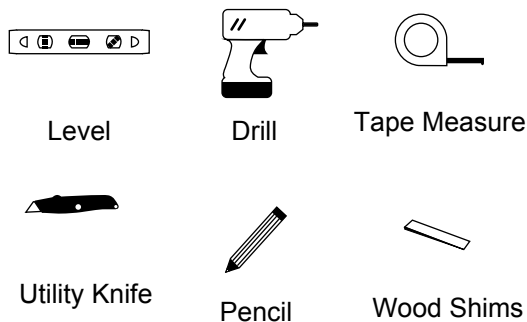
INSTRUCTIONS

Unpack and inspect the product for any shipping damages. If you find damages, do not install. Contact Customer Service at 1-866-855-2284. If you need assistance or have questions while installing your cabinet, contact Customer Service.

A recessed medicine cabinet needs to be anchored inside the wall to rectangular framing. This framing must be clear of all obstructions. If there are any wires or plumbing lines that cannot be relocated you will need to install a surface-mount cabinet.

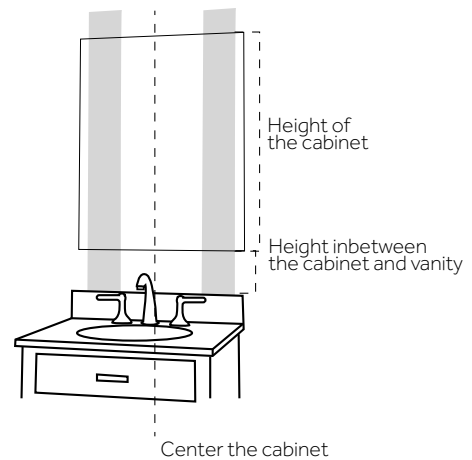
We recommend consulting a professional if you are unfamiliar with this type of installation. Signature Hardware accepts no liability for any damage to the cabinet or wall, or for personal injury during installation.

TOOLS AND MATERIALS:

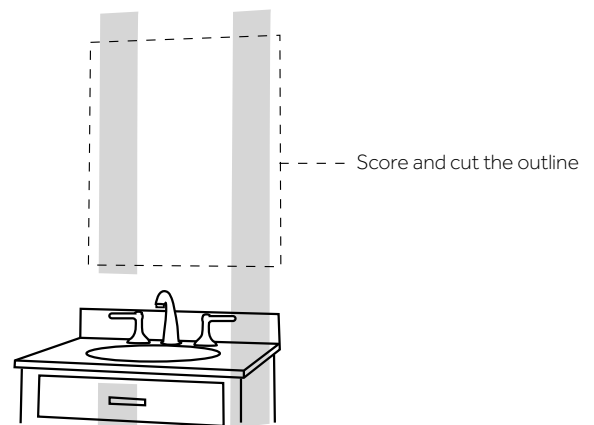


INSTALLATION

1. To cut the hole for your recessed cabinet, center the cabinet above the sink at the appropriate height and draw a leveled outline of your cabinet on the wall.

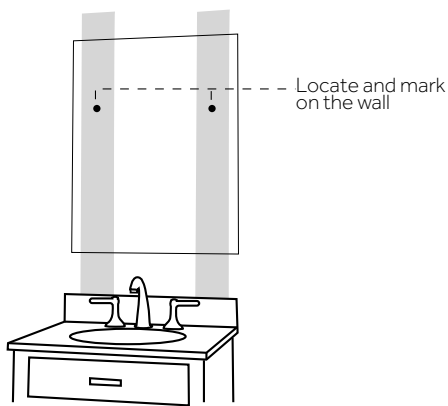


2. Score the outline with a utility knife and level. After the area is scored, cut out the area with a keyhole or reciprocating saw and remove the drywall.

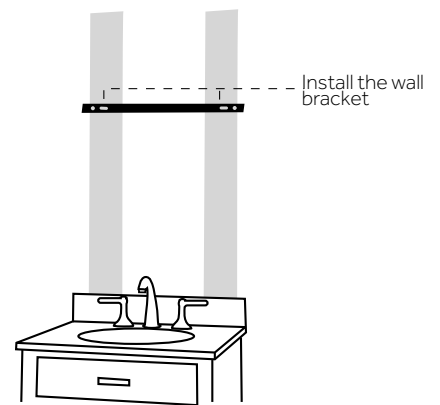




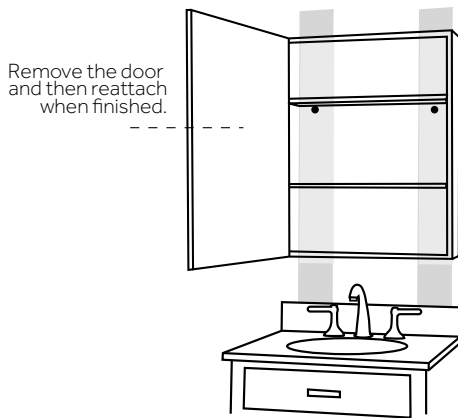
3. When the space has been cleared of all obstructions, firmly attach horizontal 2 x 4 blocking to the vertical wall studs with wood screws to create the framing for your cabinet. Make sure the drywall is secured to the edge of the wall studs, inserting screws as necessary.



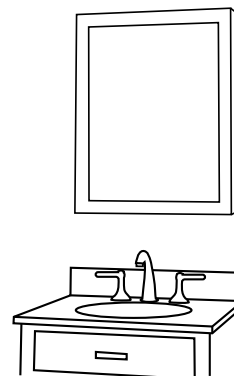
5. When the cabinet is in the proper position, secure to the wall with the provided mounting hardware (drill pilot holes for the screws if needed).



4. Remove the medicine cabinet door(s), set aside and slide the medicine cabinet into place. Verify that the cabinet is level; use shims to adjust as necessary.



6. When your medicine cabinet is securely in place, finish your installation by reattaching the cabinet door(s).





SURFACE-MOUNT MEDICINE CABINET

BEFORE INSTALLING

Read entire Installation Instructions.
Observe all local building and safety codes.

INSTRUCTIONS

Unpack and inspect the product for any shipping damages. If you find damages, do not install. Contact Customer Service at 1-866-855-2284. If you need assistance or have questions while installing your medicine cabinet, contact Customer Service.

We recommend consulting a professional if you are unfamiliar with installing bathroom fixtures. Signature Hardware accepts no liability for any damage to the cabinet or wall, or for personal injury during installation.

TOOLS AND MATERIALS:



Level



Stud Finder



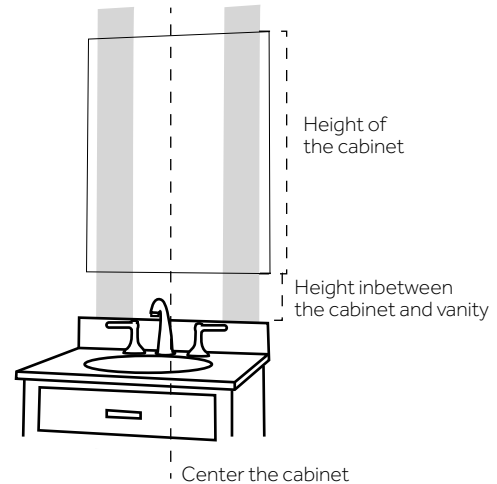
Pencil



Drill

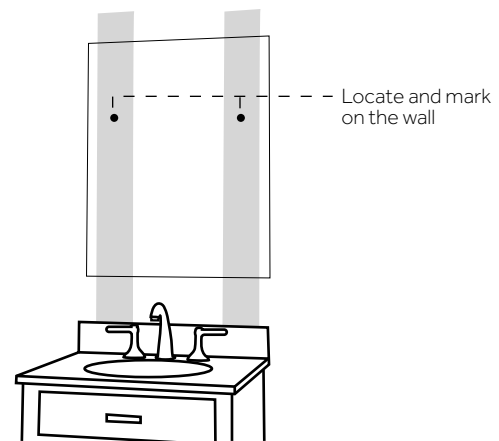
INSTALLATION (NO MOUNTING BRACKET)

1. Center the cabinet above the sink at the appropriate height and draw a leveled outline of your cabinet on the wall.



2. Locate and mark the position of the wall studs to which you will fasten your medicine cabinet. You can find studs by listening for a solid sound as you knock on the wall or by using a stud finder. If mounting holes are not pre-drilled, transfer these marks to the inside of the cabinet.

Tip: If the studs in your bathroom do not line up to the mounting location for your cabinet, wood blocking can be installed between the studs using standard 2 x 4's. If wood blocking needs to be installed behind the finished wall, we recommend consulting a professional if you are unfamiliar with this type of installation.





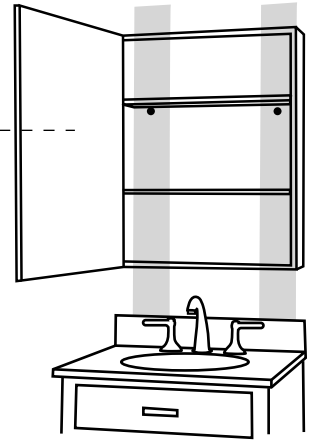
SURFACE-MOUNT MEDICINE CABINET

INSTALLATION (NO MOUNTING BRACKET)

3. Remove the medicine cabinet door(s), set aside. Secure the cabinet to the wall studs with the mounting hardware (provided). Make sure that your cabinet is level before attaching securely to wall.

4. When your medicine cabinet is securely in place, finish your installation by reattaching the cabinet door(s).

Remove the door and then reattach when finished.



INSTALLATION (MOUNTING BRACKET)

1. Center the cabinet above the sink at the appropriate height and draw a leveled outline of your cabinet on the wall.

2. Locate and mark the position of the wall studs to which you will fasten your medicine cabinet. You can find studs by listening for a solid sound as you knock on the wall or by using a stud finder. If mounting holes are not pre-drilled, transfer these marks to the inside of the cabinet.

Tip: If the studs in your bathroom do not line up to the mounting location for your cabinet, wood blocking can be installed between the studs using standard 2 x 4's. If wood blocking needs to be installed behind the finished wall, we recommend consulting a professional if you are unfamiliar with this type of installation.

3. Measure the location of the mounting rail on the back of the cabinet to determine the location of your wall bracket. Use the top of the cabinet as your guideline. Use your level to verify that the wall bracket is properly aligned.

4. Drill pilot holes and install the wall bracket. Because wall construction and materials vary from home to home, the appropriate mounting hardware may need to be purchased from your local hardware store. Consult a professional if you are unfamiliar with this type of installation.

5. With the help of another person, hang your mirror by attaching the mounting rail to the wall bracket

