

WINIFRED

RESIN FREESTANDING TUB

SKU: 918954, 946438, 944333

BEFORE YOU BEGIN

We recommend consulting a professional if you are unfamiliar with installing bathroom fixtures and plumbing. Signature Hardware accepts no liability for any damage to the floor, walls, plumbing, or personal injury during installation.

Observe all local plumbing and building codes.

Unpack and inspect the tub for damage. If any damage is found, contact our Customer Relations team at 1-855-715-1800.

GETTING STARTED

- Ensure that you have gathered all of the required materials that are needed for the installation.
- Ensure that your bathroom floor is adequately supported, and the finished floor is level.
- Keep the plumbing connections around the tub easily accessible for any future maintenance that may be necessary.

PLANNING

Use the tub's PDF specification sheet as a reference when planning your layout. The specification sheet can be found and downloaded from the product page on our website.

Because the tub specification measurements are approximate and slight variations may occur, we highly recommend performing any rough-in procedures with the faucet on site. For rough-in information, go to the appropriate drain installation section.

TOOLS AND MATERIALS:



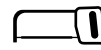
Marker



Tape Measure



Level



Metal Blade Hacksaw



Damp Cloth



Adjustable Wrench



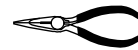
Neutral Cure Silicone Sealant



PVC Primer and Cement

IMPORTANT: If you purchased your tub with a Quick Connect Drop-In Drain Kit, make sure to reference page 6 throughout your installation.

ADDITIONAL TOOLS AND MATERIALS:



Long-nose Pliers



1-3/4" Screws (x5)

REVISED 03/25/2020

CODES: 506398, 357948, 357952, 357956
507394, 507395, 507396, 503169, 503171
503173

For Warranty information, please visit: signaturehardware.com/services/warranty

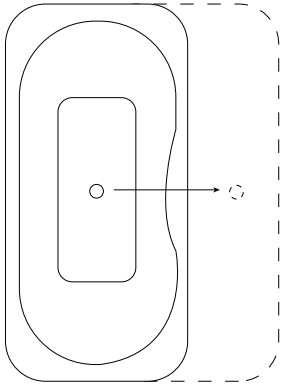
WINIFRED

RESIN FREESTANDING TUB

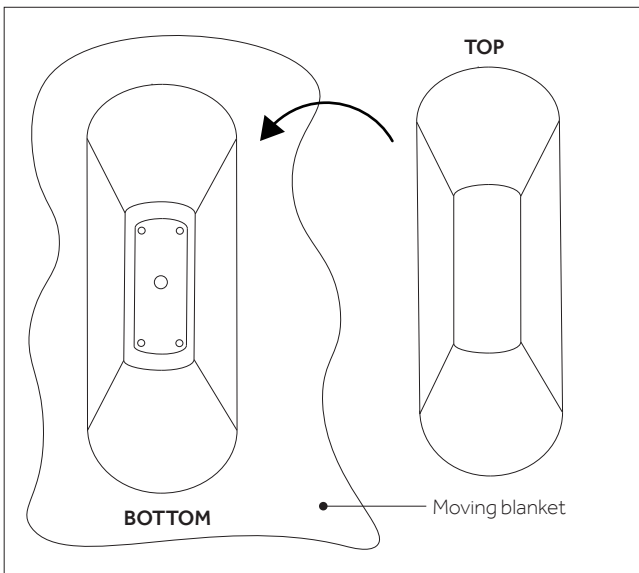
SKU: 918954, 946438, 944333

INSTALLATION WITH UNDERFLOOR ACCESS

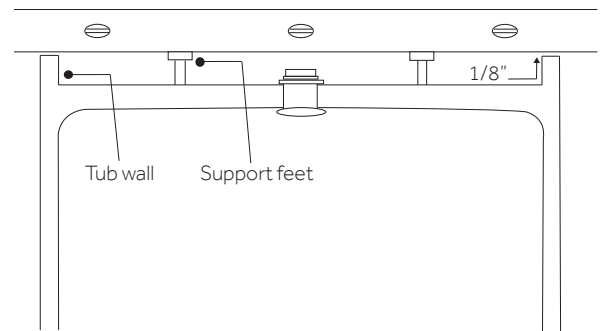
1. Set the tub in the desired location and mark the drain hole location on the floor. Then, move the tub away from the desired installation location so that the plumbing can be installed.



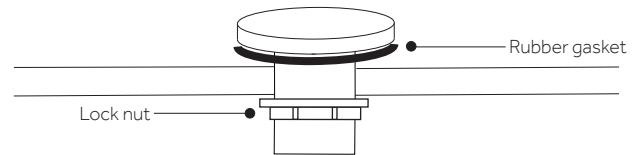
2. Turn bathtub upside down and rest it on a moving blanket, cardboard, or other soft surface to prevent scratching the rim. Use caution when turning the bathtub upside down, as the product may be heavy and may require assistance to rotate.



3. Place a level across the bottom of the tub to represent floor level. Raise adjustable leveling supports to touch level. Then, raise the support an additional 1/8" to ensure the bathtub is supported by the support feet and not by the tub walls.



4. Your resin tub will come with a drain installed.

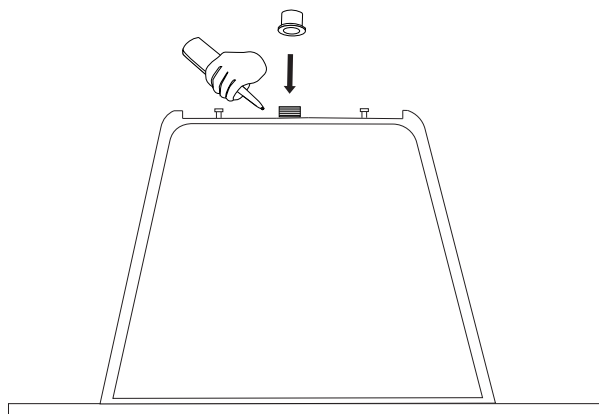


WINIFRED

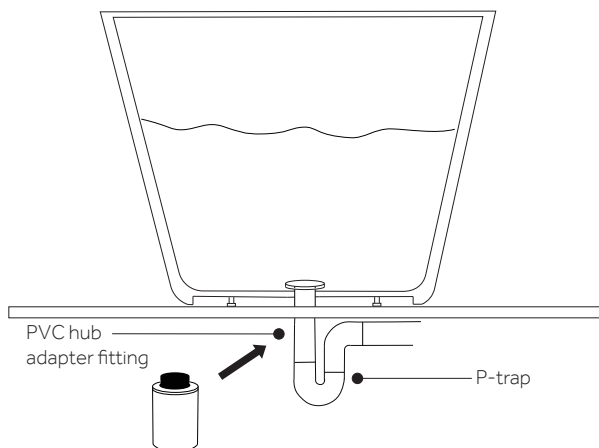
RESIN FREESTANDING TUB

SKU: 918954, 946438, 944333

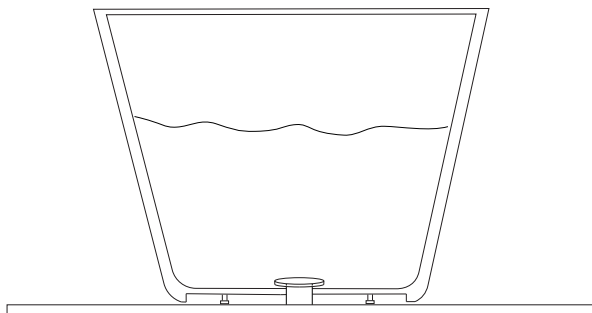
5. Attach the flanged PVC hub adapter to the exposed threads on the bottom of the tub. Use a small amount of silicone on the threads to act as sealant. Allow the silicone to dry fully.



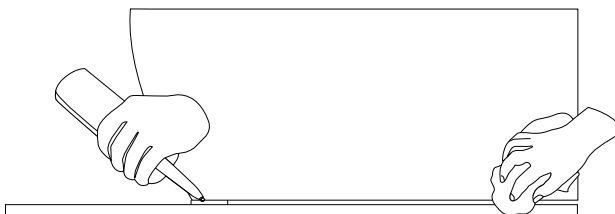
6. Cut the appropriate amount of the 1 1/2" PVC to ensure a proper connection into the P-trap under the floor. Use the PVC primer and cement to secure the installation to the P-trap.



7. Fill the tub with water to check for any leaks from the connections. Verify that the drain is working properly.



8. Finish your installation by running a bead of neutral cure silicone sealant around the base of the tub where it meets the floor. Wipe away any excess sealant with a damp cloth.



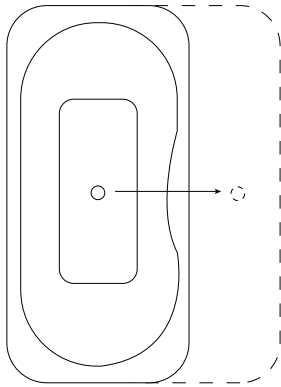
WINIFRED

RESIN FREESTANDING TUB

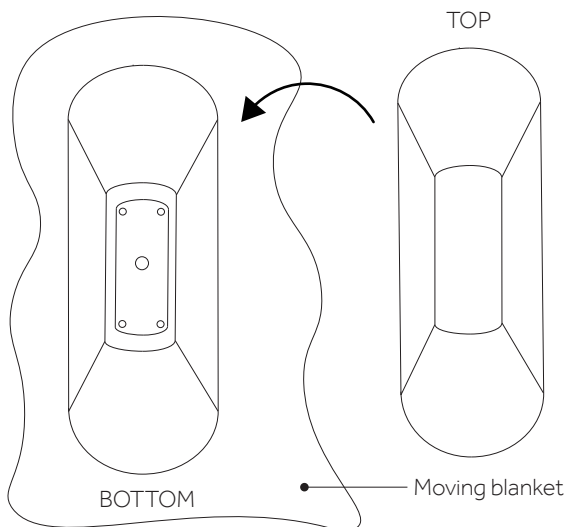
SKU: 918954, 946438, 944333

INSTALLATION: WITHOUT UNDERFLOOR ACCESS / SLAB FLOOR INSTALLATION

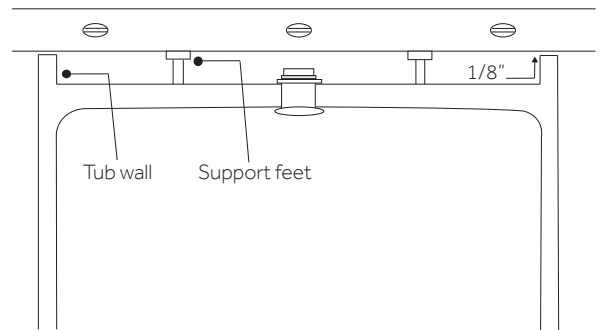
1. Set the tub in the desired location and mark the drain hole location on the floor. Then, move the tub away from the desired installation location so that the plumbing can be installed.



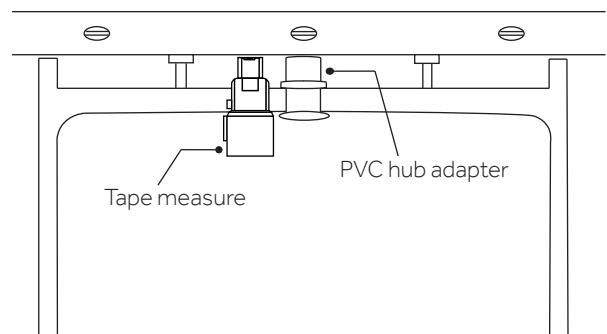
2. Turn bathtub upside down and rest it on a moving blanket, cardboard, or other soft surface to prevent scratching the rim. Use caution when turning the bathtub upside down, as the product may be heavy and may require assistance to rotate.



3. Place a level across the bottom of the tub to represent floor level. Raise adjustable leveling supports to touch level. Then, raise the support an additional 1/8" to ensure the bathtub is supported by the support feet and not by the tub walls.



4. Once support feet are adjusted, dry fit the PVC hub adapter onto the drain threads. Use a tape measure to determine the gap between the bottom of the hub adapter, starting at the drain inside flange of the hub adapter, and the floor. Use the level to simulate the floor. The drain pipe should extend approximately 1" above the finished floor; however, this will vary depending on the height of the tub.

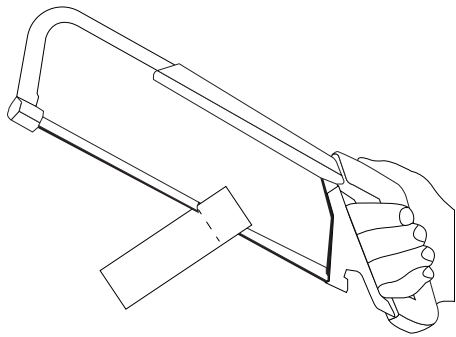


WINIFRED

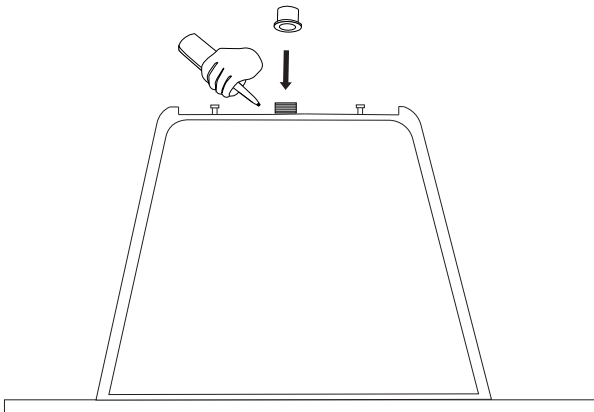
RESIN FREESTANDING TUB

SKU: 918954, 946438, 944333

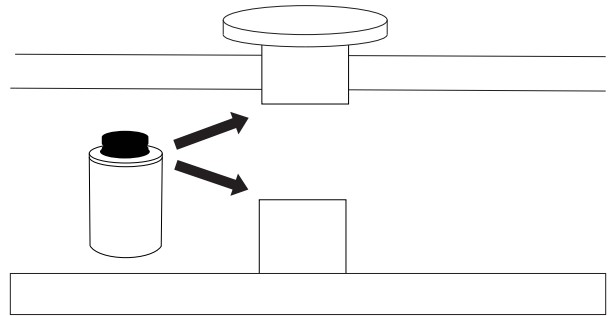
5. Trim the 1½" PVC drain pipe extending from the floor to the appropriate length.



6. Attach the flanged PVC hub adapter to the exposed threads on the bottom of the tub. Use a small amount of silicone on the threads to act as sealant. Allow the silicone to dry fully.

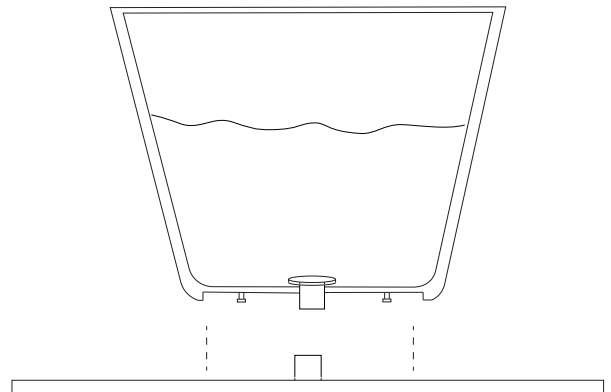


7. Turn the tub to upright position. Then, apply PVC primer and cement to the female end of hub adapter and to male PVC pipe rough-in above floor level.



8. Center tub directly over PVC rough-in, place tub onto PVC pipe with twisting motion to ensure proper adhesion of PVC Cement.

Note: Unscrew the pop up mechanism and drain cover to get a better view of the male PVC rough-in.

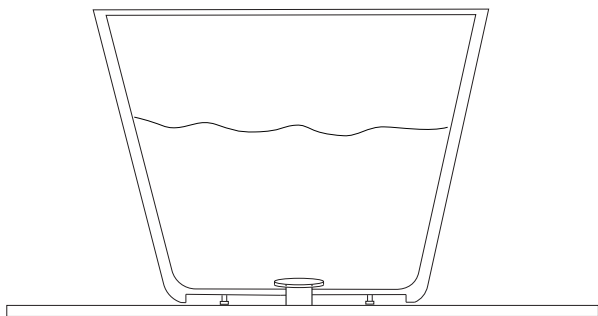


WINIFRED

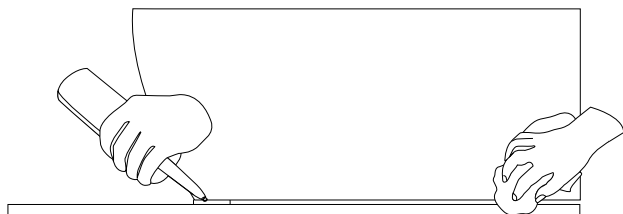
RESIN FREESTANDING TUB

SKU: 918954, 946438, 944333

9. Fill the tub with water to check for any leaks from the connections. Verify that the drain is working properly.

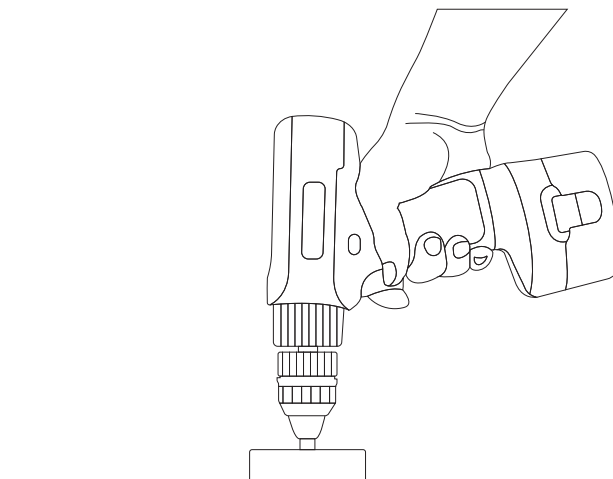


10. Finish your installation by running a bead of neutral cure silicone sealant around the base of the tub where it meets the floor. Wipe away any excess sealant with a damp cloth.

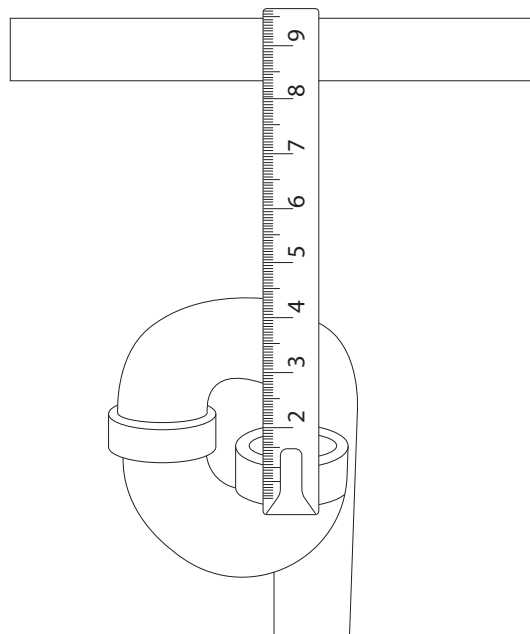


INSTALLATION WITH QUICK CONNECT DRAIN

1. Drill a 4" diameter hole in the sub floor where the drain will be installed.



2. Measure the distance from the inside of the p-trap to the top of the sub floor (p-trap not included).

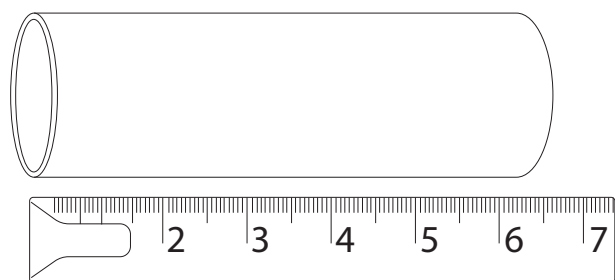


WINIFRED

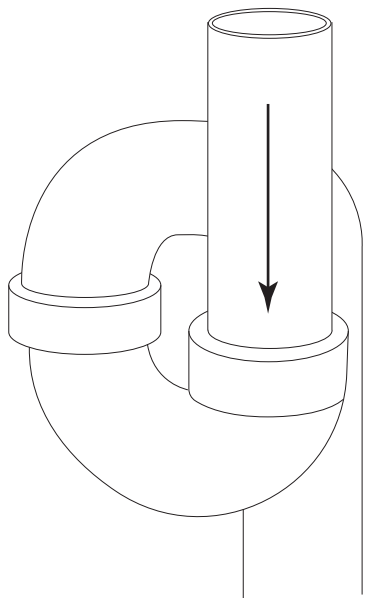
RESIN FREESTANDING TUB

SKU: 918954, 946438, 944333

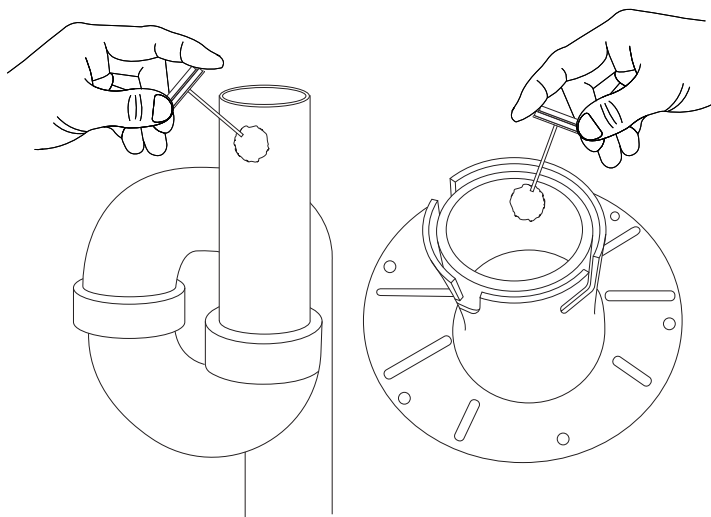
3. Cut the provided 1 1/2" PVC pipe 3" shorter than the distance between the floor and the p-trap (measurement taken in step two).



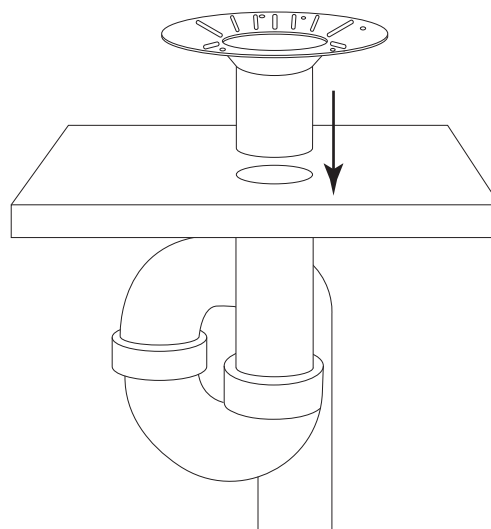
4. Apply PVC primer and cement to the outside of the PVC pipe and to the inside of the p-trap, per manufacturer instructions. Insert the pipe firmly into the p-trap until cement is bonded.



5. Apply PVC primer and cement to the outside of the PVC pipe and to the inside of the drop-in drain insert.



6. Slide the drop-in drain onto the PVC pipe, using a twisting motion to ensure proper cement bond, apply pressure until the cement is fully set. Ensure that the rim of the drop-in drain sits flush on the sub floor. Act quickly before cement sets.



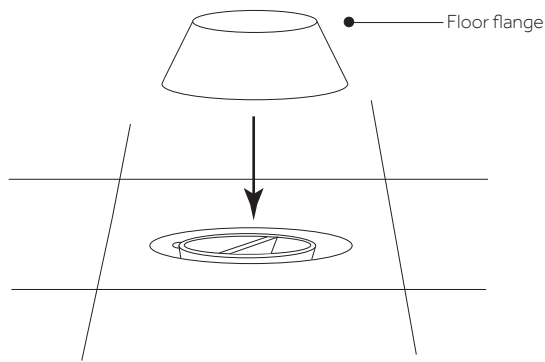
WINIFRED

RESIN FREESTANDING TUB

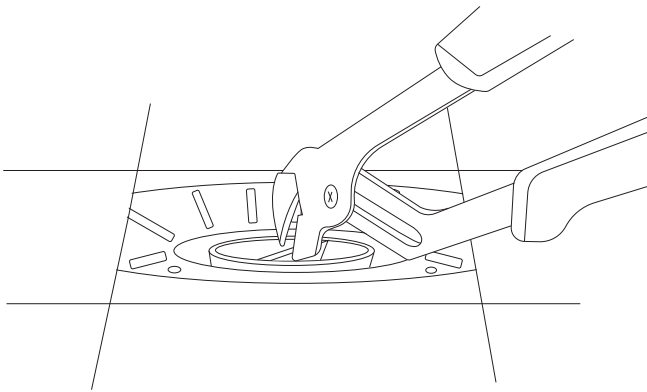
SKU: 918954, 946438, 944333

9. Install the flooring surface, such as tile, leaving an opening around the drain as shown.

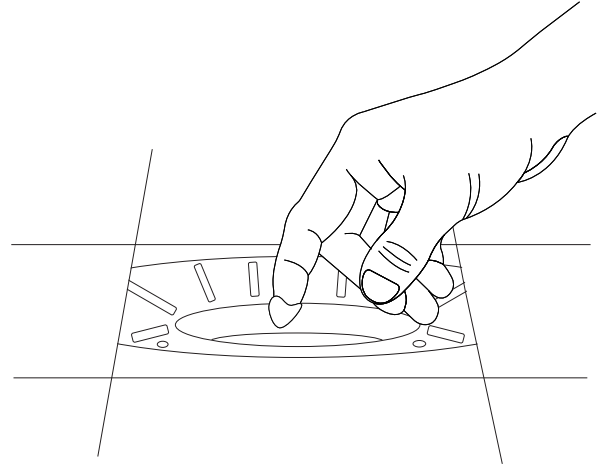
Note: If you are installing a decorative tail piece and floor flange, install the tile and leave an opening that is 2 1/4" diameter wide directly above the drain plug to ensure the floor flange covers the hole.



10. Remove the drain plug with a pair of long nose pliers.

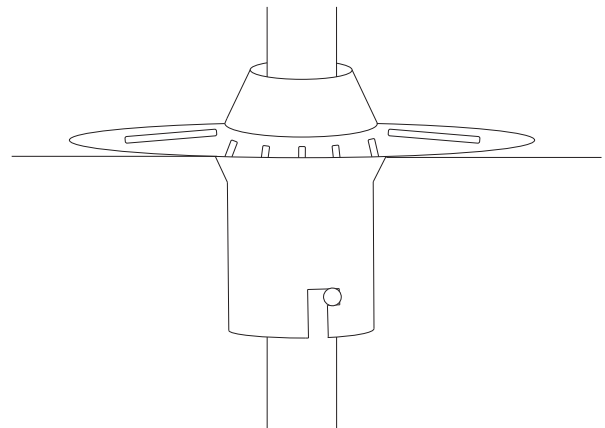


11. Once ready for tub installation, apply the provided lubricant to the rubber portion of the inside of the drain.



12. Affix the appropriate tail piece to the waste and overflow. Ensure the measurement between the base of the drain and the p-trap will accommodate the tail piece. **Do not cut the brass tail piece that is included with the drop-in drain kit.**

Note: If installing a freestanding tub with an exposed drain and overflow, use the tail piece provided with the tub's drain rather than those provided with the drop-in drain.

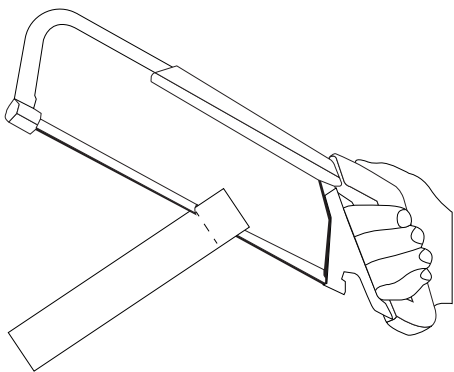


WINIFRED

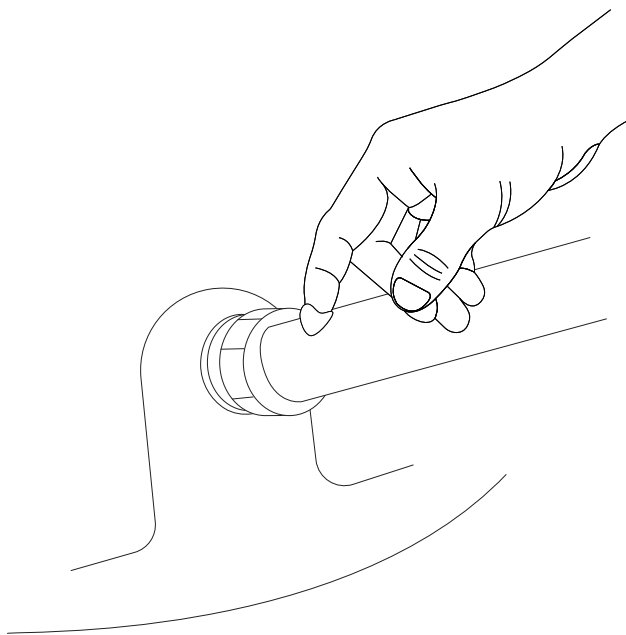
RESIN FREESTANDING TUB

SKU: 918954, 946438, 944333

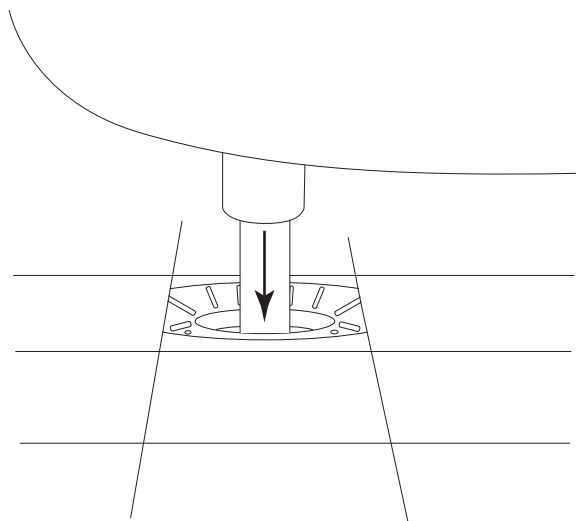
Optional: If installing a separately purchased tail piece and floor flange, measure and cut the 12" tail piece to length by measuring from tub drain connection. Make sure the measurement extends 2" past the bottom of the drop-in drain fitting.



13. Apply the provided lubricant to the entire tail piece being used. Position the bathtub so that the tail piece is in line with the drop-in drain.



14. With caution, slowly drop the tub into position, inserting the tail piece into the drop-in drain.



CLEANING AND MAINTENANCE

RESIN TUBS

Resin has a nonporous surface that makes it resistant to stains, scratches and discoloration. To maintain the condition of your new resin tub, simply wipe the surface with a dry, soft cloth after each use. Most dirt and dust will wash off with clean, warm water. For a more thorough cleaning, be sure to use a mild cleaner such as a gentle dish soap. Avoid any products that contain abrasives, acids, or ammonia.

SCRATCH REMOVAL

1. Use warm water to remove dirt and dust from the surface.
2. Use #800 sandpaper (coarse-grit) and rub in small, circular motions until the scratch is gone.
3. Follow with #1200 sandpaper (fine-grit) and rub over the surface of the scratch to smooth and blend.
4. Dry with a towel.
5. Polish the surface with a cloth and a polishing compound. Any automobile polishing compound will suffice.

For gloss resin surfaces:

1. Use warm water to remove dirt and dust from the surface.
2. Using wet #400 sandpaper, gently sand the damaged area in the direction parallel to the scratch. Keep the area being sanded as close to the scratch as possible. Avoid excessive pressure or circular strokes while sanding. Re-wet the sandpaper as needed.
3. Follow with #600 sandpaper, duplicating the sanding method used in step 2 until the scratch is completely removed.
4. Dry with a towel.
5. Apply a small amount of acrylic-based wax (automotive wax) according to the manufacturer's directions. Buff the surface to a shine, using a buffing cloth or drill attachment. Repeat this process as many times as necessary until damaged area is blended with the tub's finish.