



ACRYLIC PEDESTAL TUB

BEFORE YOU BEGIN

We recommend consulting a professional if you are unfamiliar with installing bathroom fixtures and plumbing. Signature Hardware accepts no liability for any damage to the floor, walls, plumbing, or personal injury during installation.

Observe all local plumbing and building codes.

Unpack and inspect the tub for any damage. If any damage is found, contact our Customer Relations team at 1.866.855.2284

GETTING STARTED

- Ensure that you have gathered all of the required materials that are needed for the installation.
- Ensure that your bathroom floor is adequately supported, and the finished floor is level.
- Keep the plumbing connections around the tub easily accessible for any future maintenance that may be necessary.

PLANNING

Use the tub's PDF specification sheet as a reference when planning your layout. The specification sheet can be found and downloaded from the product page on our website.

Because the tub specification measurements are approximate and slight variations may occur, we highly recommend performing any rough-in procedures with the tub on site. For on-site rough-in information, go to the appropriate drain installation section.

TOOLS AND MATERIALS:



Drill



Level



Tape Measure



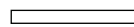
Plumber's Tape



Pencil



Hacksaw



Straight Edge



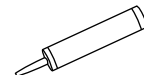
Damp Cloth



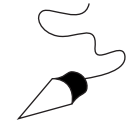
Adjustable Wrench



Thread Sealant



Silicone Sealant
(100% Neutral Cure)



Plumb Line

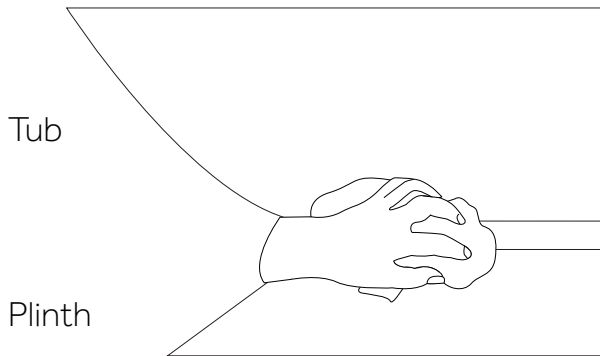


ACRYLIC PEDESTAL TUB

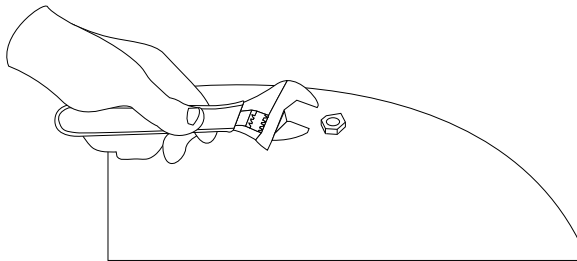
INSTALLATION

STEP 1: ATTACH THE PLINTH

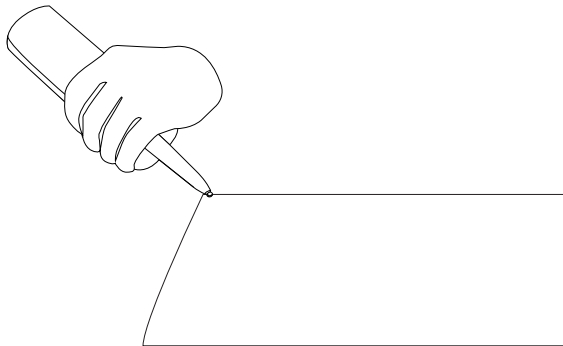
1. Clean and dry the area of contact between the tub and plinth on both items.



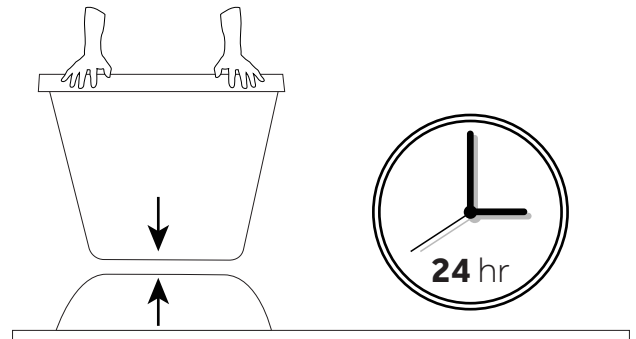
2. Remove hardware from bottom of tub if necessary (bolt caps, nuts, washers).



3. Apply a bead of 100% neutral cure silicone sealant to the plinth along the area that will make contact with the tub.

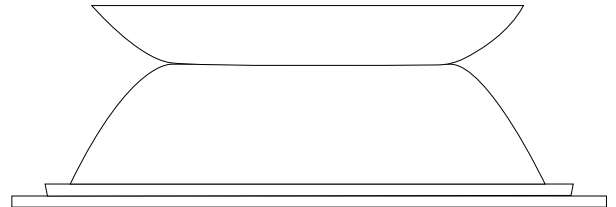


4. Firmly place the tub onto the plinth and wipe away any excess sealant with a damp cloth. Allow the silicone to dry for 24 hours.



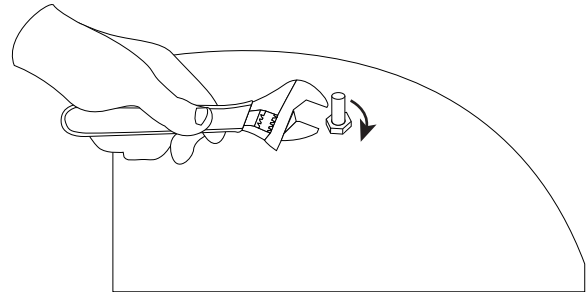
5. When the silicone is dry, carefully lay the tub and plinth upside down so that the bottom of the tub is facing up. Attach the mounting brackets.

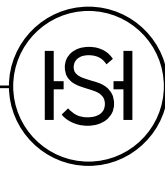
Important: Lift by the rim of the tub. Do not lift the tub by the plinth.



6. Tighten the bolts, alternating from one to another until all are secure.

Important: Do not overtighten. Overtightening could result in cracking the acrylic.

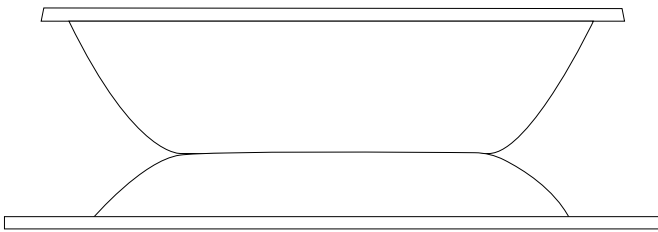




ACRYLIC PEDESTAL TUB

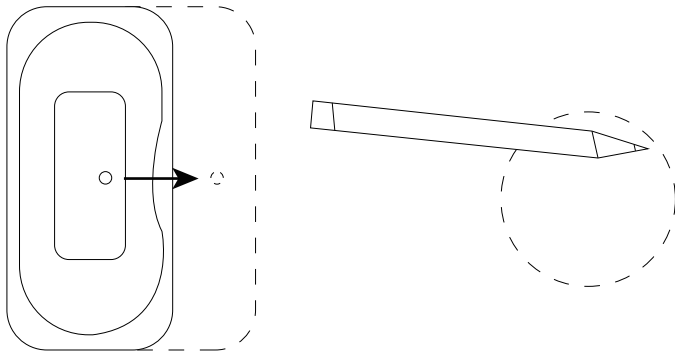
7. Carefully turn the tub back over to its upright position. Proceed to step 2 regarding tub installation.

Important: Lift by the rim of the tub, Do not lift the tub by the plinth.

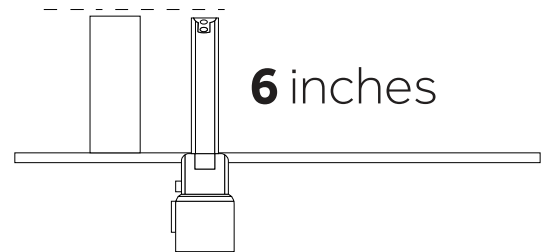


STEP 2: TUB INSTALLATION

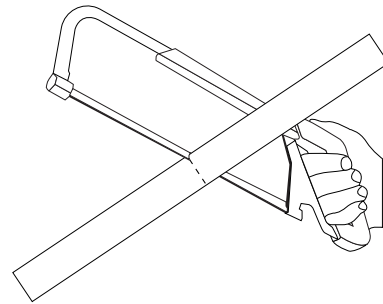
Proceed to the appropriate drain configuration to complete rough-in and installation.



2. Move the tub away from the installation location so that the plumbing can be installed. The drain pipe should extend approximately 6" above the finished floor.

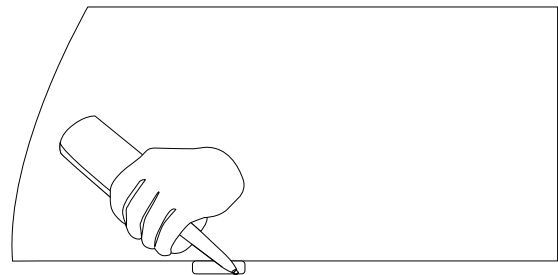


3. When the floor is finished, measure and cut the drain pipe to the appropriate length for the type of drain that is being used.



4. Carefully set the tub in position and adjust the tub feet as necessary until level. Once level, apply a generous bead of silicone on the bottom of the feet. This will prevent the tub from shifting after installation.

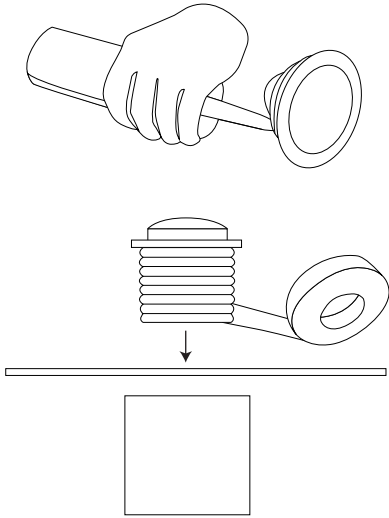
Tip: Plan for the bottom of the tub to sit approximately 1/8" above the finished floor so that the weight of the tub, water, and bather are fully supported by the tub feet rather than the tub walls.



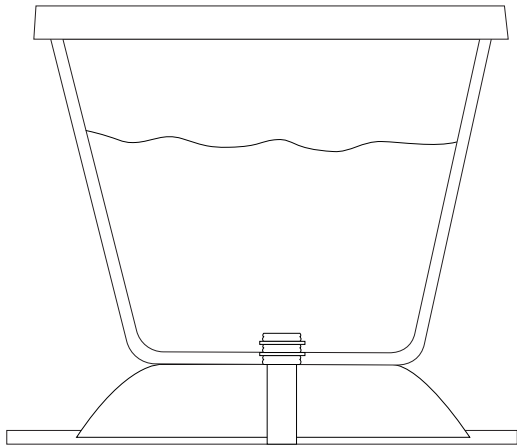


ACRYLIC PEDESTAL TUB

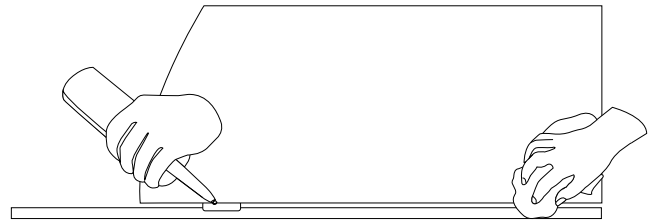
5. Apply 100% neutral cure silicone sealant to the underside of the drain flange and thread it through the tub and into the drain pipe. Apply thread sealant or plumber's tape to the threaded connection to ensure a water-tight seal. Tighten by hand. Wipe away any excess sealant using a damp cloth.



6. Fill the tub with water to check for any leaks from the connections. Verify that the drain is working properly.

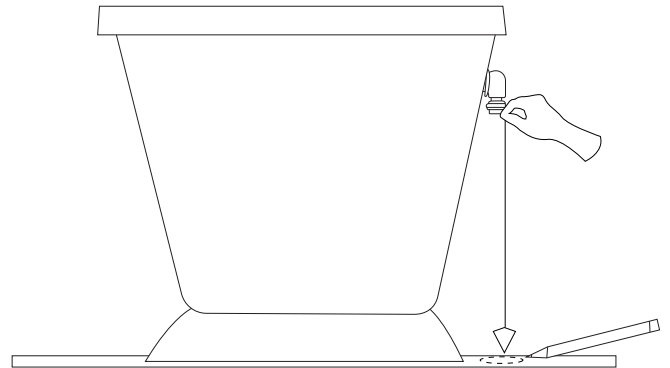


7. Finish your installation by applying a bead of silicone sealant around the base of the tub where it meets the floor. Wipe away any excess sealant with a damp cloth.



TUB AND DRAIN WITH OVERFLOW

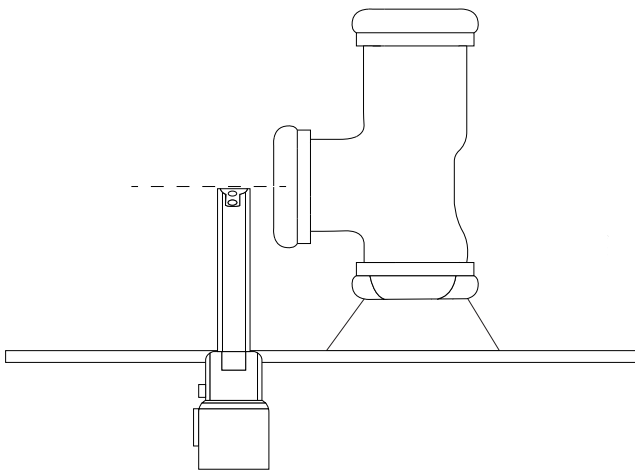
1. Set the tub in the desired installation location and drop a plumb line from the center of the overflow hole to the floor. This will determine your drain location. Mark the drain hole location on the floor.





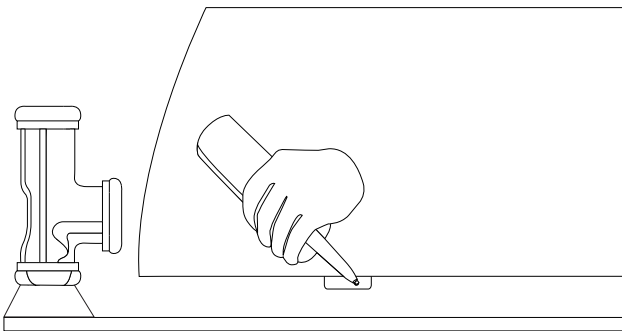
ACRYLIC PEDESTAL TUB

2. Move the tub away from the installation location so that the plumbing can be installed. Place the drain pipe at the appropriate height for the waste and overflow piping. To determine this, you will need to temporarily fit your drain pipe into the tub and measure from the floor to the center of the drain pipe.



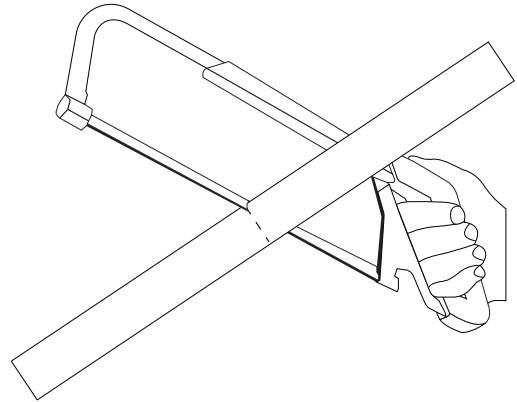
3. Carefully set the tub back into position and adjust the tub feet as necessary until level. Once level, apply a generous bead of silicone on the bottom of the feet. This will prevent the tub from shifting after installation.

Tip: Plan for the bottom of the tub to sit approximately 1/8" above the finished floor so that the weight of the tub, water, and bather are fully supported by the tub feet rather than the tub walls.

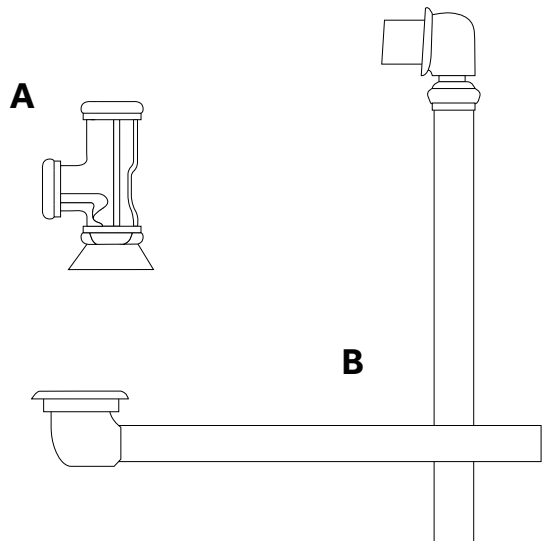


4. Next you will need to trim your drain and overflow pipes to the appropriate sizes. Steps 5-8 will walk you through.

5. To trim the drain and overflow pipes appropriately, you will need to temporarily fit the overflow and drain assemblies to the tub.



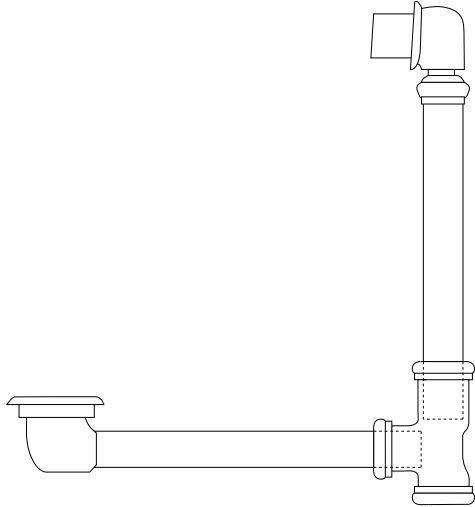
6. The overflow tee (A) will be attached at the points where the drain pipes intersect (B).



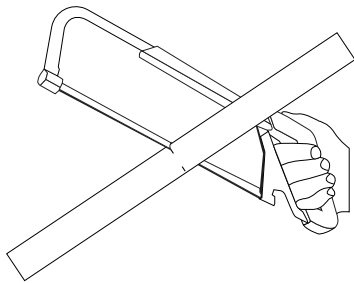


ACRYLIC PEDESTAL TUB

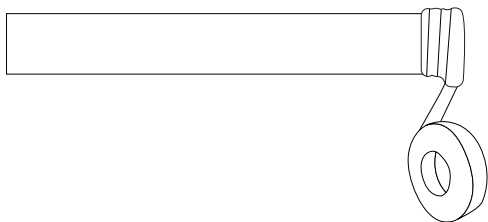
7. Measure and mark each pipe so that the end of the pipe reaches at least a little bit over halfway into the overflow tee.



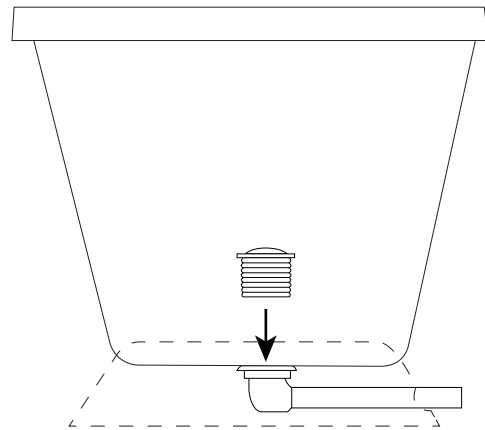
8. Remove the drain and overflow assembly from the tub, and trim the pipes at the marked locations with a hacksaw. Make sure that the blade is suitable for cutting metal.



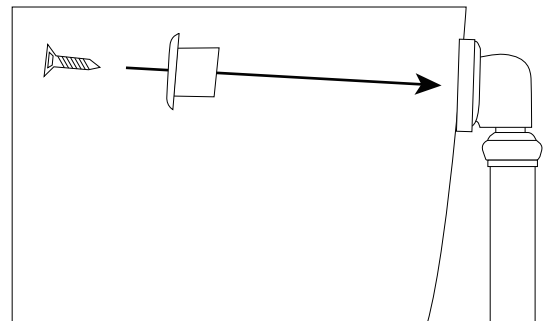
9. Apply thread sealant or plumber's tape to the threaded ends of all pipes prior to assembly. If two pipes arrive attached, be sure to take them apart and do the same. Do not apply any tape or sealant to any compression fittings. Follow steps 10-13 for drain assembly instructions.



10. Apply 100% neutral cure silicone sealant to the underside of the drain flange and thread it through the tub and into the drain pipe. Apply thread sealant or plumber's tape to the threaded connection to ensure a water-tight seal. Tighten by hand. Wipe away any excess sealant using a damp cloth.



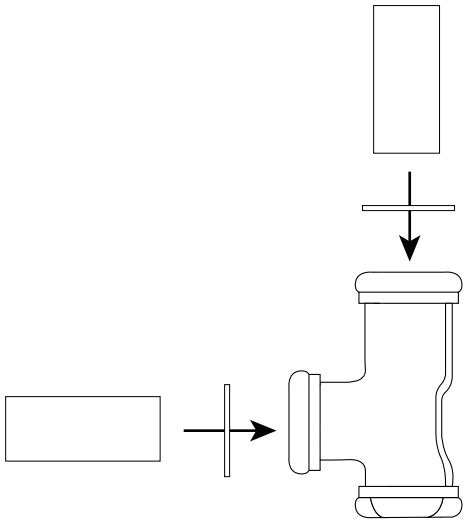
11. Install the overflow assembly with the beveled washer, overflow plate, mounting screw (provided) and any other washers or rubber sealing gaskets included. Apply a bead of silicone sealant to the underside of the flange. If your tub came with a 'Press and Seal' overflow, the pop-up flange will be used in place of the overflow plate and screw.



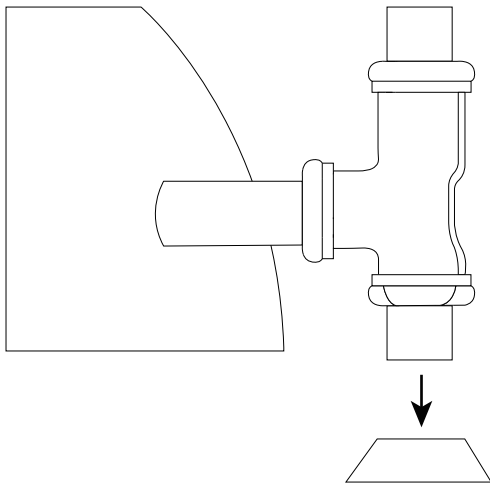


ACRYLIC PEDESTAL TUB

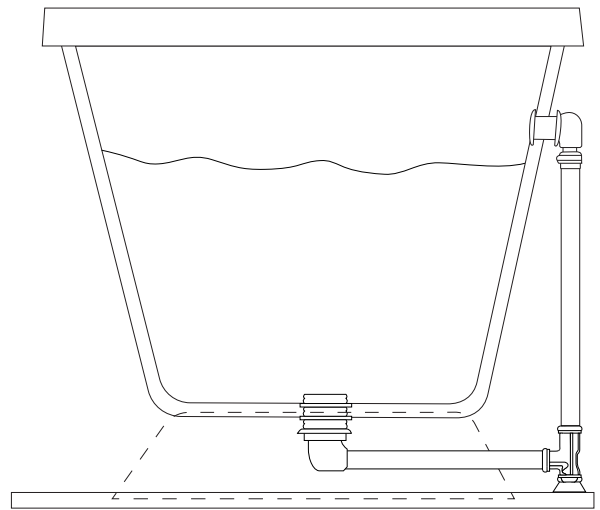
12. Attach the waste and overflow tee to the overflow assembly and shoe assembly with sealing washers and slip nuts. The beveled end of the sealing washer should face the tee.



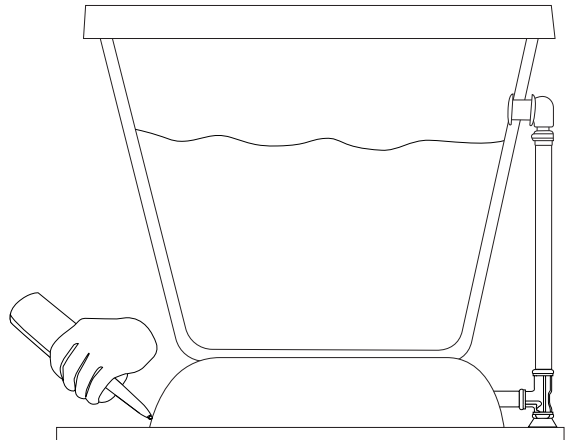
13. Attach the drain tube and flange to the waste and overflow tee with the sealing washer and slip nut. The beveled end of the sealing washer should face the tee.



14. When your tub is in place and all connections have been made, fill the tub with water to check for any leaks from the connections. Verify that the drain and overflow are working properly.



15. Finish your installation by applying a bead of silicone sealant around the base of the plinth where it meets the floor. Wipe away any excess sealant with a damp cloth.





ACRYLIC PEDESTAL TUB

CLEANING AND MAINTENANCE

Wash your tub using a gentle soap, such as dishwashing liquid, and warm water. Do not use any abrasive cleaning pads or materials. We recommend the use of a soft sponge or microfiber washcloth. Vinegar can be used to remove hard water buildup and mildew. Rinse with warm water and dry with a clean, soft cloth. To maintain the glossy tub finish, we recommend buffing your tub every three months with white polishing compound.

SCRATCH REMOVAL

1. Using a damp sponge, wash the area with warm water and dish washing liquid. Rinse thoroughly with warm water.
2. Do not use any type of abrasive cleaning pads or chemicals. Read the labels on your cleaners to be sure they are gentle enough to be used on your acrylic tub.
3. Apply circular, even strokes to the scratched area using dampened 800 and 1200 grit sandpaper.
4. Wipe the area clean with a damp sponge and rinse thoroughly.
5. Apply an acrylic polishing compound and water with a soft, clean cloth. Rub in a circular motion to polish and buff the area.
6. Wipe off any excess residue and rinse the tub with warm water. Dry the surface with a clean, soft cloth.