



ALVIN OUTDOOR SHOWER INSTALLATION

BEFORE YOU BEGIN

We recommend consulting a professional if you are unfamiliar with installing plumbing fixtures. Signature Hardware accepts no liability for any damage to the floor, walls, plumbing, or personal injury during installation.

Observe all local building and safety codes.

Unpack and inspect the shower for damage. If any damage is found, contact our Customer Relations team at 1-855-715-1800.

Note: Make sure to winterize your outdoor shower before cold weather arrives to prevent burst pipes and protect the shower's hardware.

GETTING STARTED

- Ensure that you have gathered all of the required materials that are needed for the installation.
- For the following instructions, it is assumed that the installation area is prepared and the water supply lines are in place.

TOOLS AND MATERIALS:



Pencil



Tape Measure



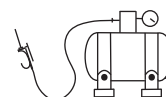
Plumber's Tape



Thread Sealant

Phillips
Screwdriver

Level

Adjustable
Wrench

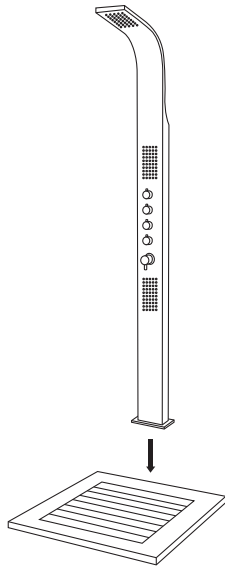
Air Compressor



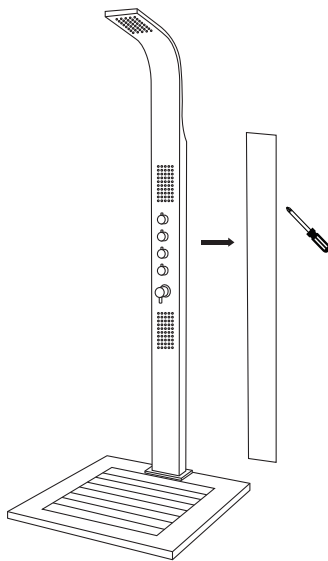
ALVIN OUTDOOR SHOWER INSTALLATION

INSTALLATION

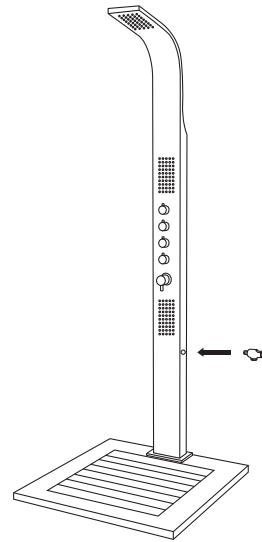
1. Attach the shower panel to the shower base, as shown. Use the provided bolts, nuts, and washers to fasten. Tighten firmly.



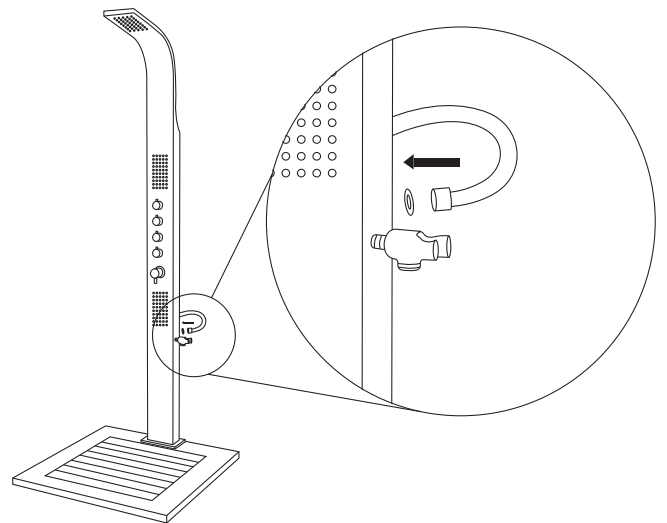
2. Remove the metal panel from the back of the shower unit. Use a Phillip's screwdriver to remove each of the twelve screws holding it in place.



3. Remove the lock nut and rubber washer from the hand shower cradle. Attach the hand shower cradle to the shower unit, as shown. Use an adjustable wrench to tighten firmly.



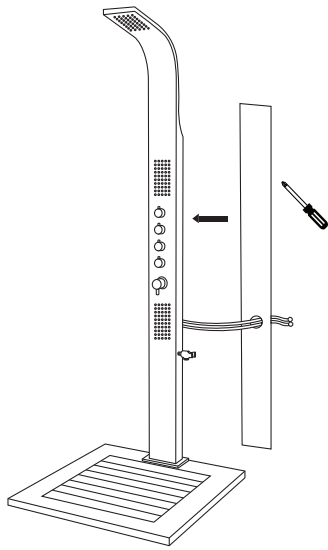
4. Remove the zip ties holding the shower unit's hoses in place. Connect the white flexible hose to the inlet on the back of the handshower cradle, as shown. Insert one of the provided rubber O-rings into the hose before making the connection.



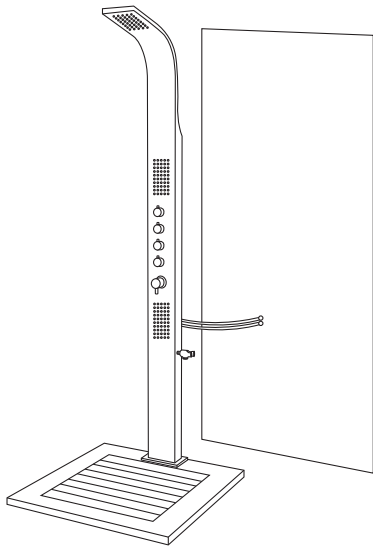


ALVIN OUTDOOR SHOWER INSTALLATION

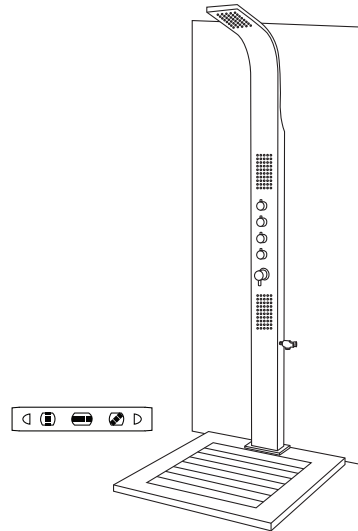
5. Reattach the back panel to the shower unit. Before fastening, feed the unit's water lines through the access hole on the panel, as shown.



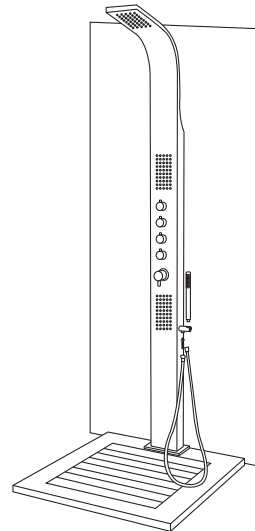
6. Remove the plastic caps from each of the shower unit's water lines. Attach the water lines to the prepared main water supply. Apply plumber's tape or thread sealant to the threads before tightening.



7. Carefully move the shower unit into place. Adjust the leveling feet on the shower base until it is level. If desired, run a thin bead of clear silicone around the edge of the decorative metal escutcheon covering the mounting hardware.



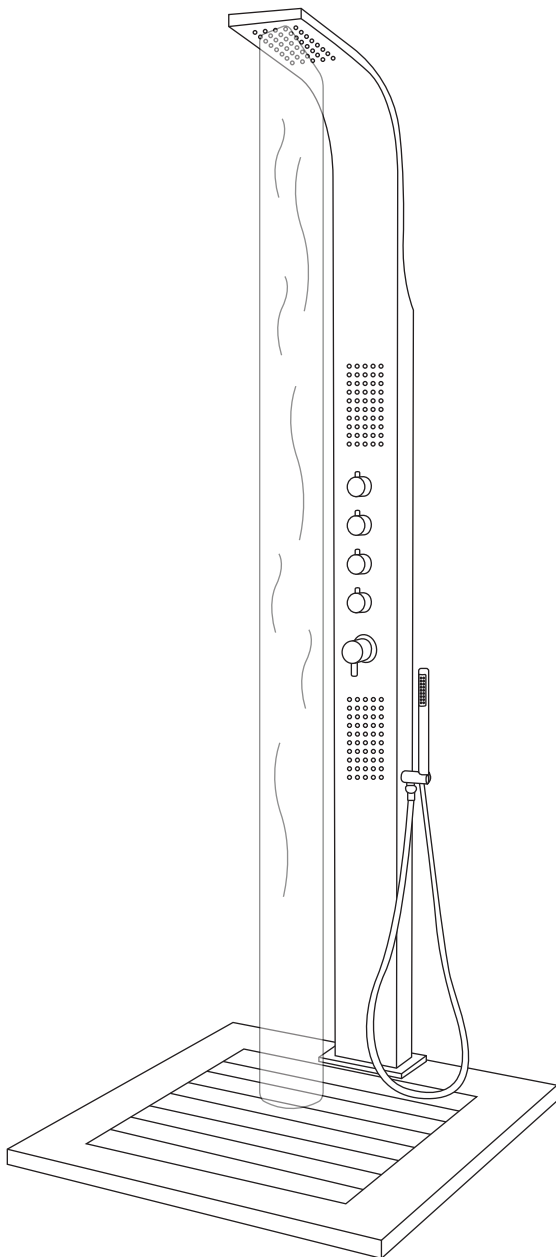
8. Use the provided hand shower hose to attach the hand shower to its cradle. Hand-tighten each connection firmly.





ALVIN OUTDOOR SHOWER INSTALLATION

9. Once the installation is complete, turn the shower unit on. Check for any leaks, and to ensure that hot and cold water are running appropriately.

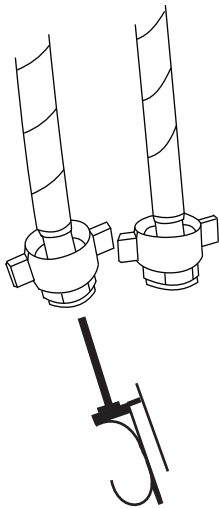




ALVIN OUTDOOR SHOWER INSTALLATION

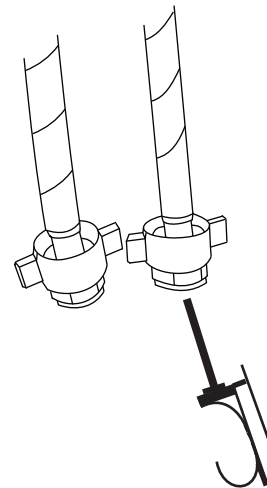
WINTERIZING

1. Locate the shutoff valves for the outdoor shower unit. Turn off the shower's water supply.
2. Disconnect the supply lines from the back of the shower unit using the adjustable wrench.
3. Remove the shower head if possible.
4. Open the valve to the HOT position.
5. Insert the air blower from the air compressor into the HOT inlet hose. Blow compressed air into the hose until no more water comes out of the shower head.
NOTE: The hoses may differ from your installation. Identify which is the hot and which is the cold supply.



6. Open the valve to the COLD position.

7. Insert the air blower from the air compressor into the COLD inlet hose. Blow compressed air into the hose until no more water comes out of the shower head.
NOTE: The hoses may differ from your installation. Identify which is the hot and which is the cold supply.



8. As a final check, place the temperature selector in the middle range.

9. Insert the air blower tool from the air compressor into the COLD inlet hose as shown in Step 5. Blow compressed air into the hose until no more water comes out of the shower head. Repeat for the HOT inlet hose.

When no more water comes out of the shower head, winterizing is complete.

10. Replace shower head if previously removed.