



COOPER PUSH-BUTTON SHOWER VALVE

BEFORE YOU BEGIN

We recommend consulting a professional if you are unfamiliar with installing plumbing fixtures. Signature Hardware accepts no liability for any damage to the plumbing, floor, walls, tub, or for personal injury during installation.

Observe all local plumbing and building codes.

Unpack and inspect the item for shipping damage. If any damage is found, contact our Customer Relations team at 1-866-855-2284.

GETTING STARTED

- Ensure that you have gathered all the required materials that are needed for the installation.
- For the following installation instructions, it is assumed that the wall has been opened and that the existing shower set has been removed.
- Before you begin, the main water supply to your home should be shut off.

TOOLS AND MATERIALS:



Plumbers
Tape



Tape Measure



Phillips
Screwdriver



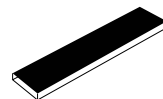
Adjustable
Wrench



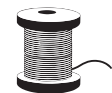
Drill



Hex Wrench



Wood Blocking



Soldering Kit
(for copper pipe)



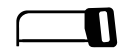
1/2" Test Plug



Level



Pencil or
Marker



Hacksaw

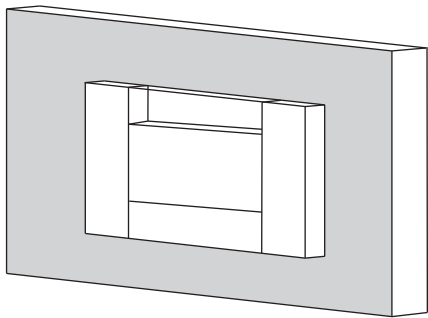


COOPER PUSH-BUTTON SHOWER VALVE

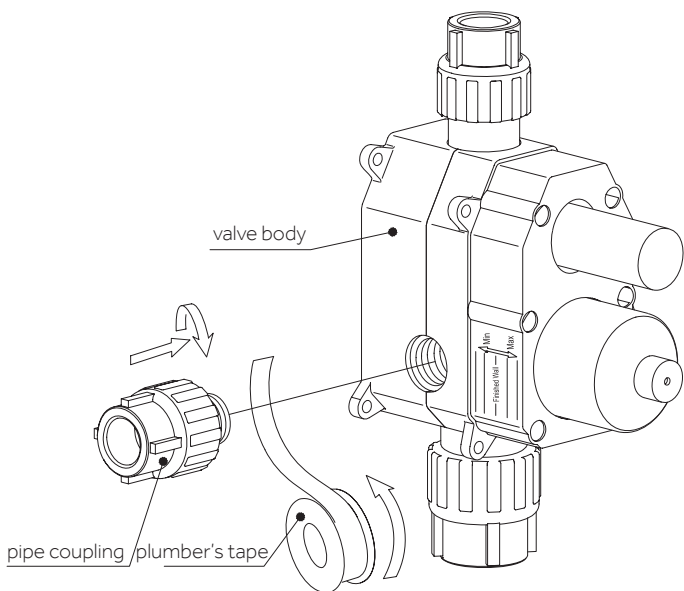
INSTALLATION

1. To prepare for installation, wood blocking should be installed between the two studs where the valve will mount. Be careful not to set the valve too far back into the wall. Use the sticker on the side of the valve for guidance.

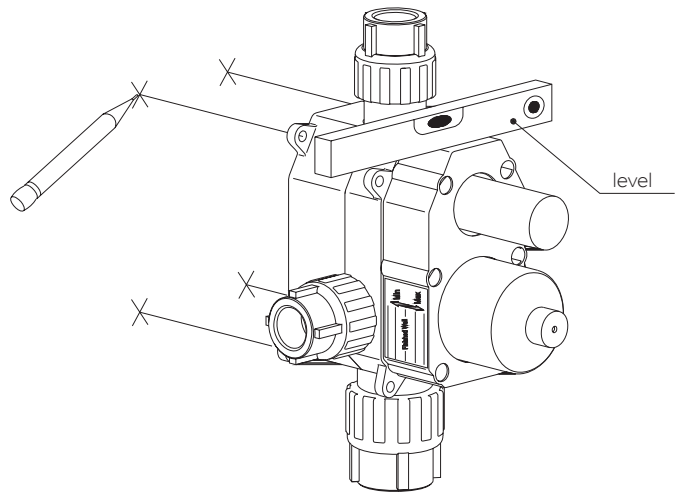
Important: Take into consideration the thickness of the finished wall materials, such as tile, when calculating measurements.



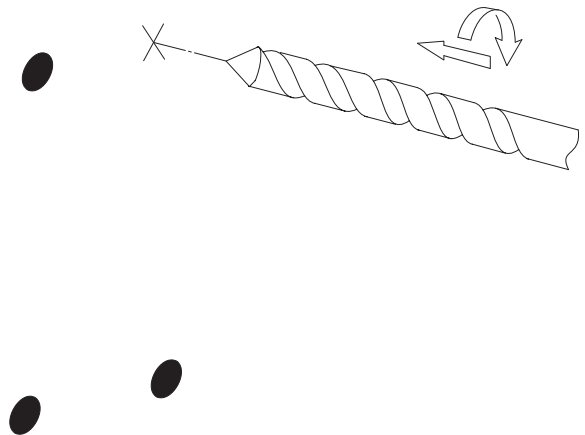
2. Apply plumber's tape or thread sealant to the threads of the pipe couplings. Screw the pipe couplings into the valve body, as shown.



3. Hold the valve at its installation location, and mark the location of the mounting holes with a pencil. Use a level to ensure that the valve is straight before marking.



4. Drill pilot holes at the marked mounting hole locations.

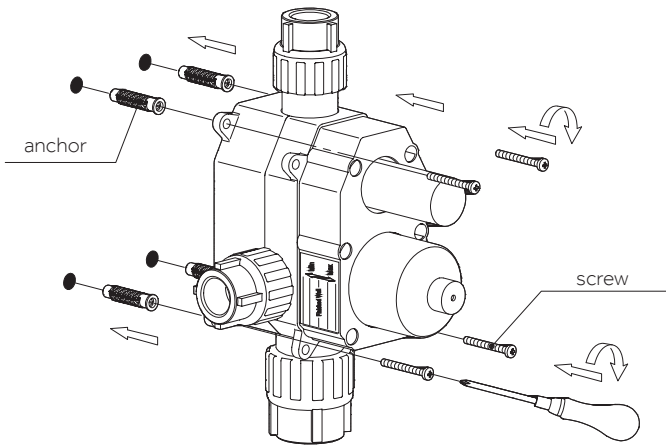




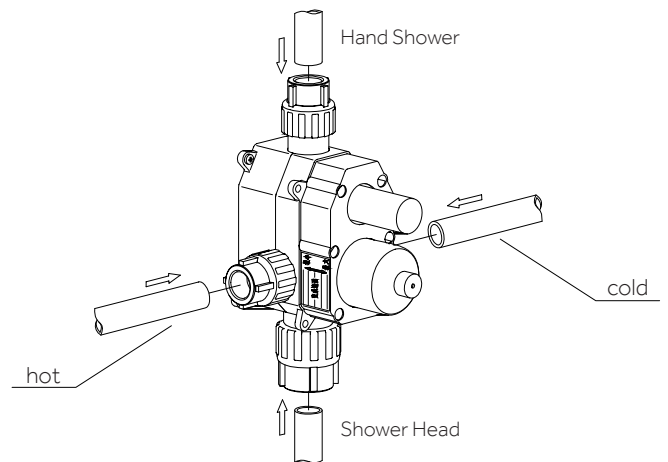
COOPER PUSH-BUTTON SHOWER VALVE

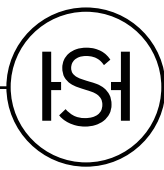
5. Secure the valve to the prepared wood blocking using the provided hardware. Ensure that the hot outlet is pointing to the left, and the cold outlet is pointing to the right.

Tip: Leave the protective sleeves on the valve stems until your finished wall is complete, and you are ready to install the trim pieces.



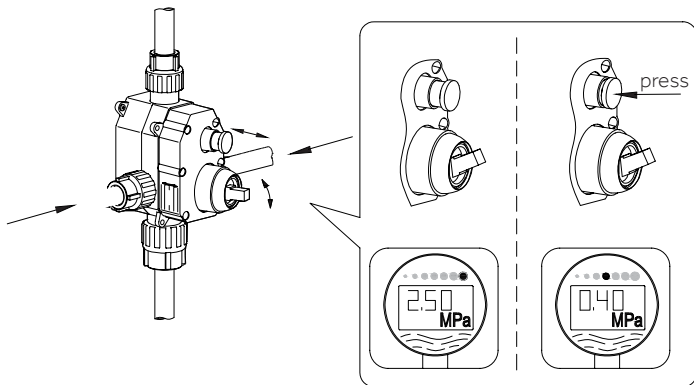
6. Route, assemble, and connect all in-wall piping to and from the shower valve. Make connections appropriately depending upon the type of pipe that is being used. For copper pipe, soldering will be required and should be completed by a licensed plumber. Apply plumber's tape to any threaded connections if applicable. Install any wood blocking that is necessary to support the piping and valve.





COOPER PUSH-BUTTON SHOWER VALVE

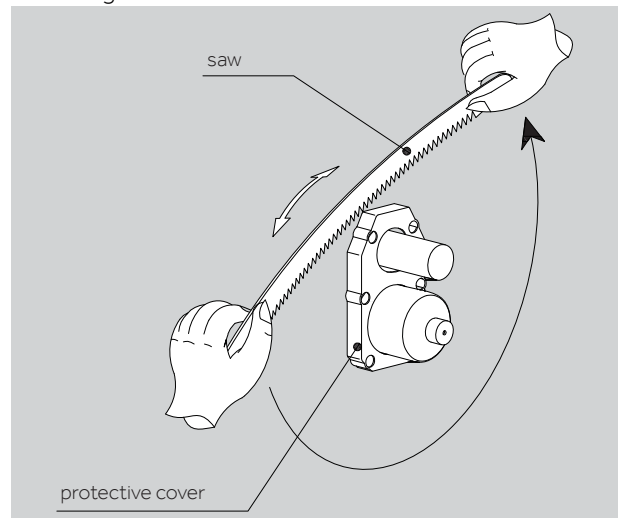
7. Once all piping is routed and connections have been made, use a 1/2" test plug to perform a water pressure test. Turn on the main water supply to your home and water test the installed plumbing. Ensure that there are no leaks, then shut the water off. Remove the test plug, and slide the protective sleeves back onto the valve.



IMPORTANT: COMPLETE THE CONSTRUCTION OF YOUR WALL, INCLUDING ANY FINISHED WALL MATERIALS SUCH AS TILE, BEFORE PROCEEDING WITH THE REMAINDER OF THE INSTALLATION.



8. Once the finished wall is complete, use a hacksaw to cut the protective plastic cover from the valve, as shown. Do not cut through the protective sleeves covering the stems.



9. Proceed to the installation of the trim pieces, as shown.

