



ENGEL TEMPERED GLASS SHELF INSTALLATION

BEFORE YOU BEGIN

We recommend consulting a professional if you are unfamiliar with installing this type of product. Signature Hardware accepts no liability for any damage to the product, mounting surface, or for personal injury during installation.

Observe all local plumbing and building codes.

Unpack and inspect the product for shipping damage. If any damage is found, contact our Customer Relations team at 1-866-855-2284.

GETTING STARTED

- Ensure that you have gathered all the required materials that are needed for the installation.

TOOLS AND MATERIALS:



Phillips
Screwdriver



Flathead
Screwdriver



Drill



Tape Measure



Level



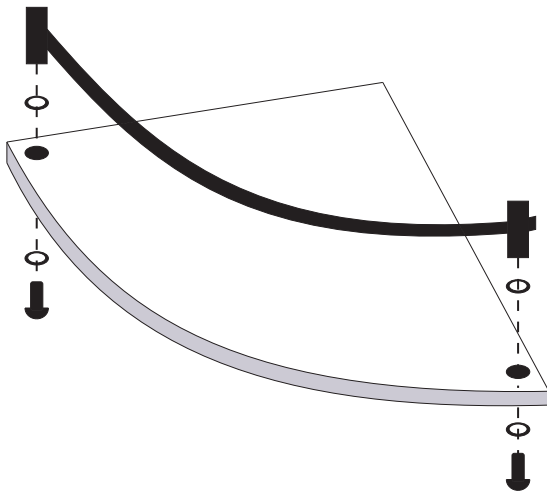
Pencil



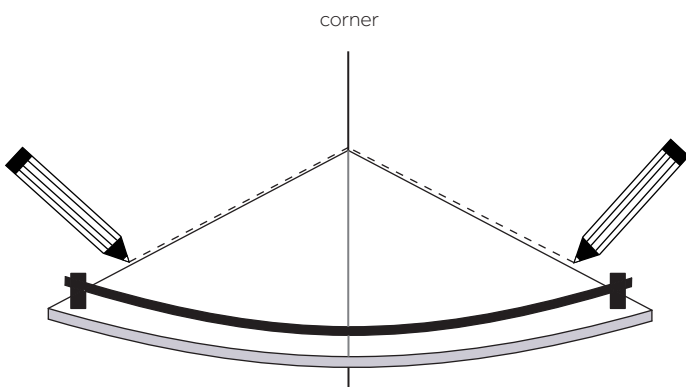
ENGEL TEMPERED GLASS SHELF INSTALLATION

INSTALLATION

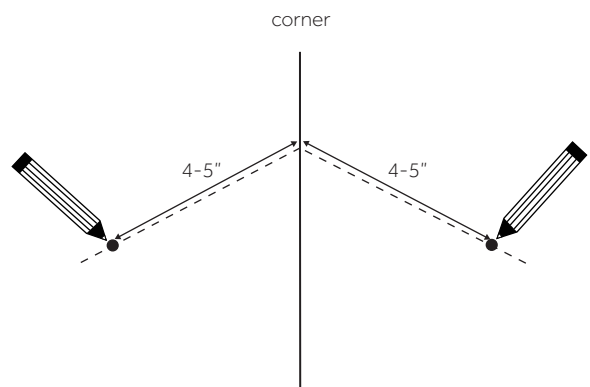
1. Before you begin, attach the front rail to the glass shelf, as shown.



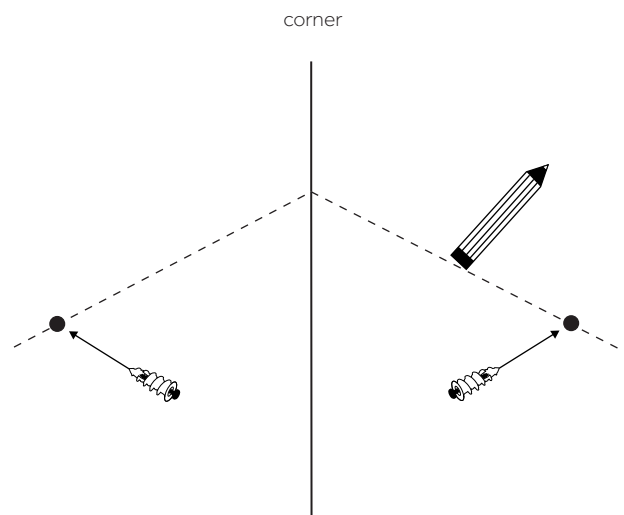
2. Hold the shelf at the desired installation location. Using a level and a pencil, draw a straight light line on both walls along both edges of the shelf.



3. If installing the 11" version, measure 4" from the corner along each line marked in step 2. For the larger 14" version, measure 5". Mark these locations on each line using a pencil.



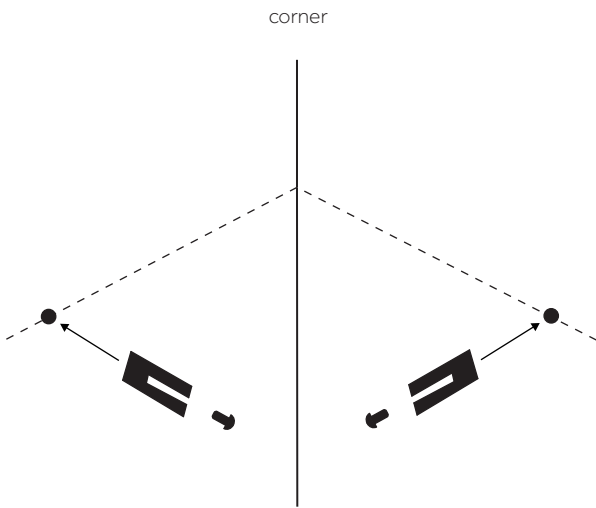
4. Drill a pilot hole into the marked locations from step 3. Insert the provided anchors into each hole. Once anchors are installed, erase all pencil markings from the wall. **Important: If drilling through tile, ensure that you use a masonry drill bit and drill slowly to avoid cracking.**





ENGEL TEMPERED GLASS SHELF INSTALLATION

5. Attach the mounting brackets to the installed anchors using the provided screws.



6. Slide the glass shelf into the installed mounting brackets. Tighten the set screws underneath to secure and finish the installation.

