



ENGEL TRIPLE CORNER SHELF INSTALLATION

BEFORE YOU BEGIN

We recommend consulting a professional if you are unfamiliar with installing this type of product. Signature Hardware accepts no liability for any damage to the product, mounting surface, or for personal injury during installation.

Observe all local plumbing and building codes.

Unpack and inspect the product for shipping damage. If any damage is found, contact our Customer Relations team at 1-866-855-2284.

GETTING STARTED

- Ensure that you have gathered all the required materials that are needed for the installation.

TOOLS AND MATERIALS:



Phillips
Screwdriver



Flathead
Screwdriver



Drill



Tape Measure



Level



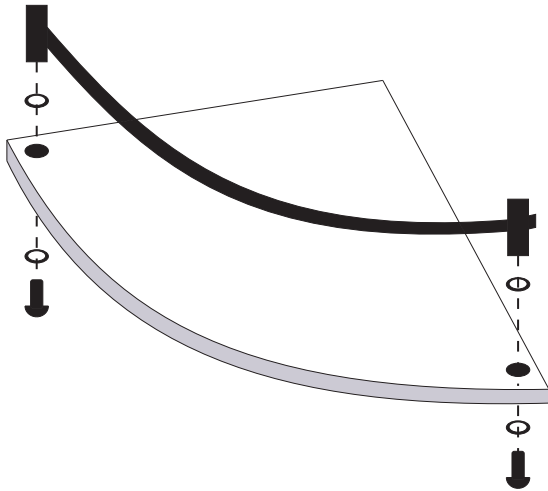
Pencil



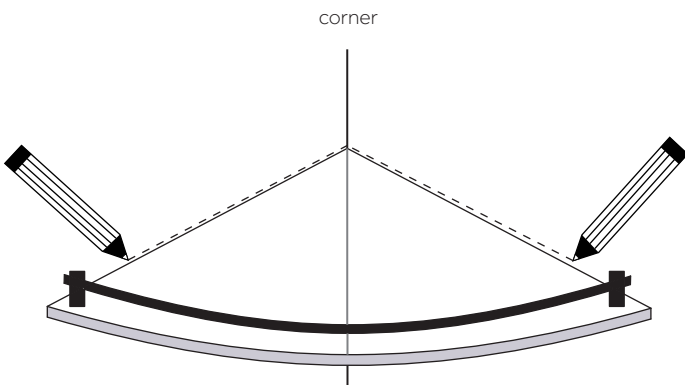
ENGEL TRIPLE CORNER SHELF INSTALLATION

INSTALLATION

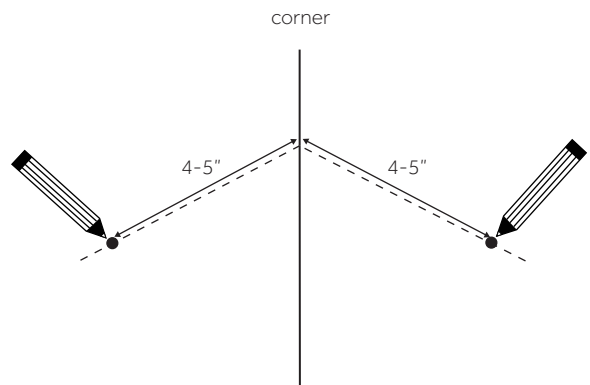
1. Before you begin, attach the front rails to each of the glass shelves as shown.



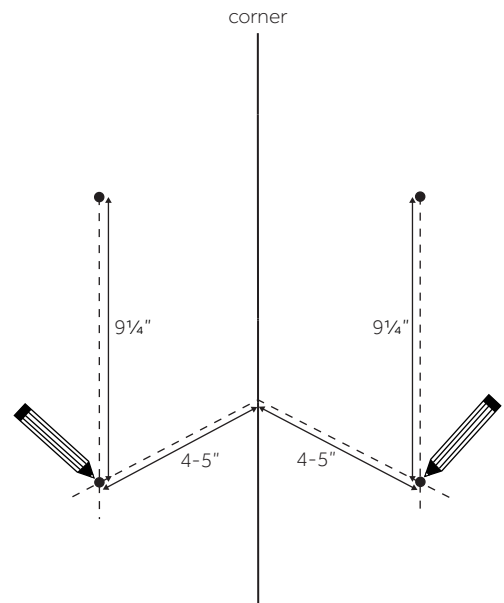
2. Hold the top shelf at the desired installation location. Using a level and a pencil, draw a straight light line on both walls along both edges of the shelf.



3. If installing the 11" version, measure 4" from the corner along each line marked in step 2. For the larger 14" version, measure 5". Mark these locations on each line using a pencil.



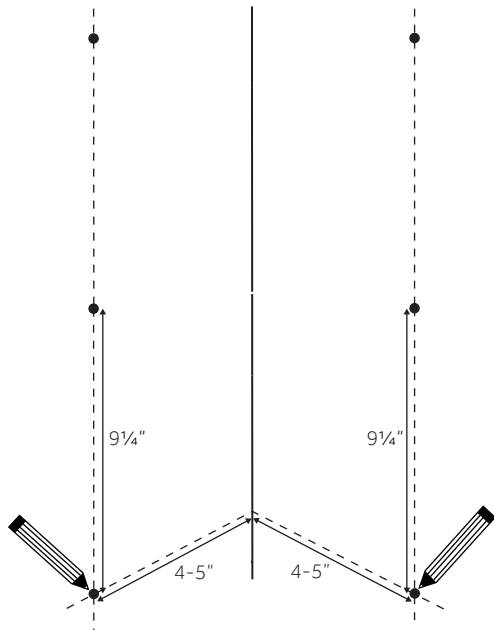
4. From the center of each of the marks made in step 3, use a level to mark a straight line exactly $9\frac{1}{4}$ " down the wall. From the corner, use a level to mark a straight line 4" or 5" from the corner, as you did in step 3. Mark the location where each of these two lines cross, on each wall, as shown below.



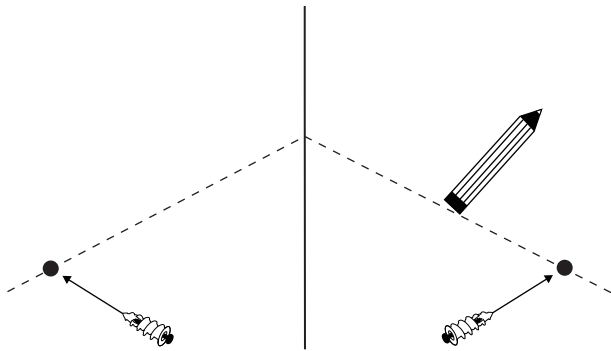


ENGEL TRIPLE CORNER SHELF INSTALLATION

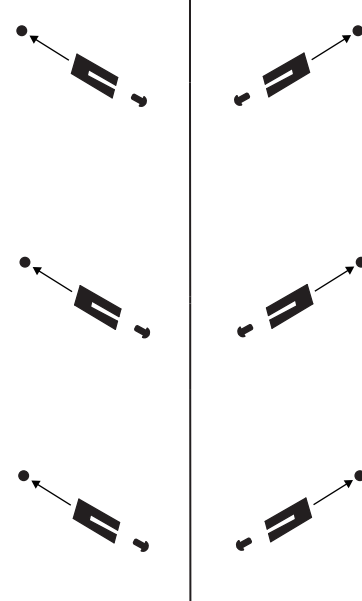
5. Repeat step 4 for marking the locations of the shelf brackets for the lower shelf. Begin from the holes marked for middle shelf.



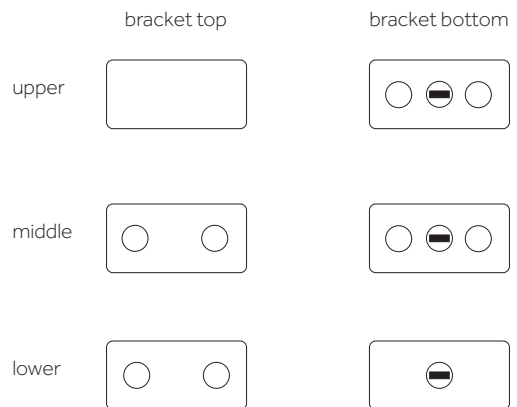
6. Drill a pilot hole into each of the six marked mounting hole locations. Insert the provided anchors into each hole. Once anchors are installed, erase all pencil markings from the wall. **Important: If drilling through tile, ensure that you use a masonry drill bit and drill slowly to avoid cracking.**



7. Loosely attach the mounting brackets to the installed anchors using the provided screws. Do not yet fully tighten the screws.



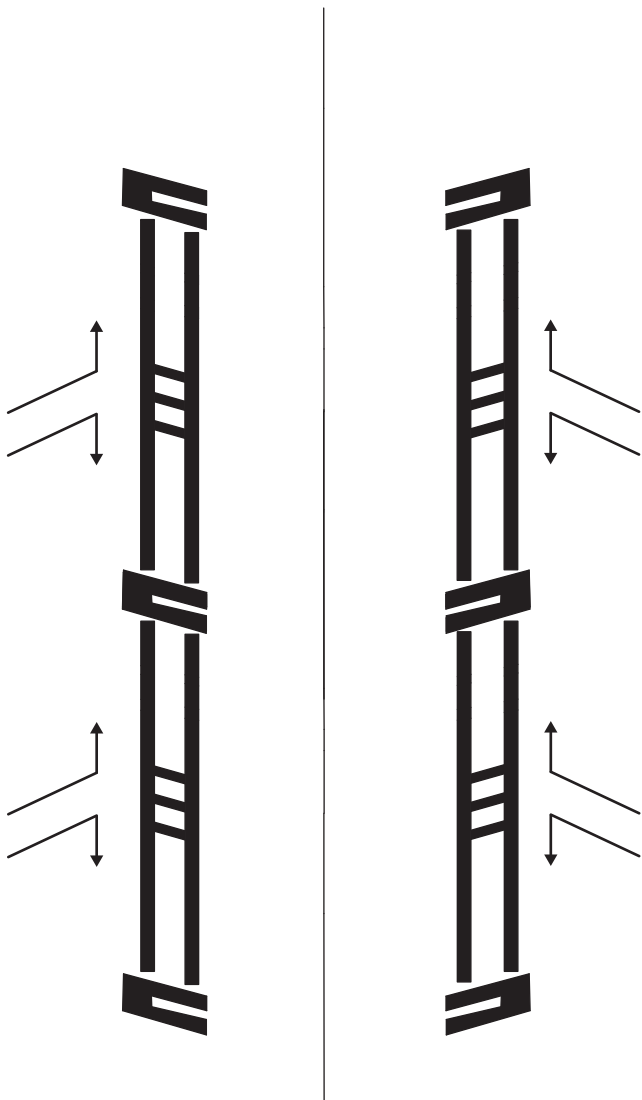
Note: This shelving unit contains three mounting bracket variations: upper, middle, and lower. Ensure that all of the plastic set screws on each bracket are facing down, and that each of the seats for the vertical brackets are facing one another. If arranged correctly, the two upper brackets should have a plain top. See below.





ENGEL TRIPLE CORNER SHELF INSTALLATION

8. Insert the vertical support brackets in between the upper, middle, and lower shelf brackets. Ensure that each of the upper and lower legs fit into the seats on each bracket. Rearrange the brackets if needed. Once in position, finish tightening the shelf bracket screws.



9. Slide the glass shelves into the installed shelf brackets. To secure the shelves, tighten each of the plastic set screws on the bottom of each bracket.

