

FREESTANDING TUB FAUCET

WITHOUT SHUTOFF VALVE

BEFORE YOU BEGIN

We recommend consulting a professional if you are unfamiliar with installing plumbing fixtures. Signature Hardware accepts no liability for any damage to the faucet, plumbing, sink, counter top, or for personal injury during installation.

Observe all local plumbing and building codes. Unpack and inspect the product for shipping damage. If any damage is found, contact our Customer Relations team via live chat at www.signaturehardware.com or by emailing support@signaturehardware.com.

GETTING STARTED

Ensure that you have gathered all the required materials that are needed for the installation.

ADDITIONAL QUESTIONS?

Still need help? Check out our Help Center at www.signaturehardware.com for product and warranty information, or contact us through live chat or by emailing support@signaturehardware.com.

TOOLS AND MATERIALS:



Plumbers
Tape



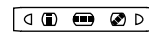
Thread
Sealant



Neutral Cure
Silicone Sealant



Adjustable
Wrench



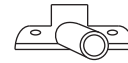
Level



Tape Measure



Damp Cloth

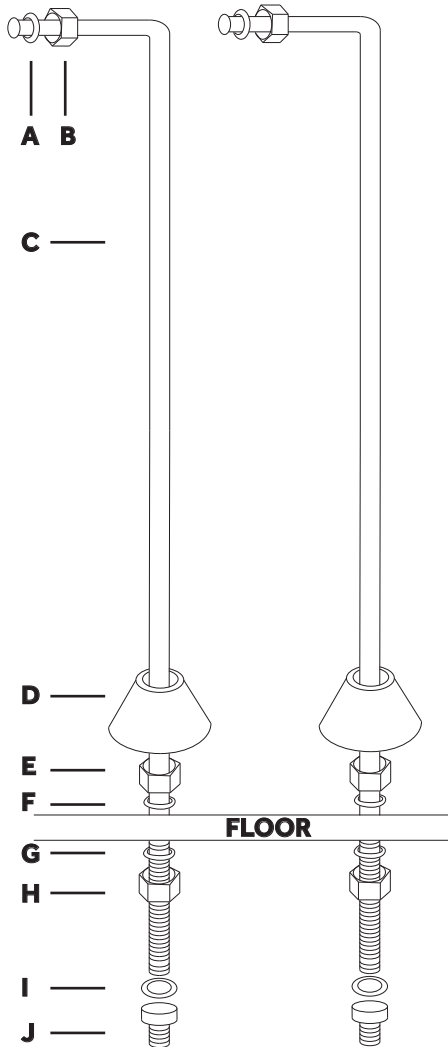


Lug Ell
(x2)

FREESTANDING TUB FAUCET

WITHOUT SHUTOFF VALVE

INSTALLATION

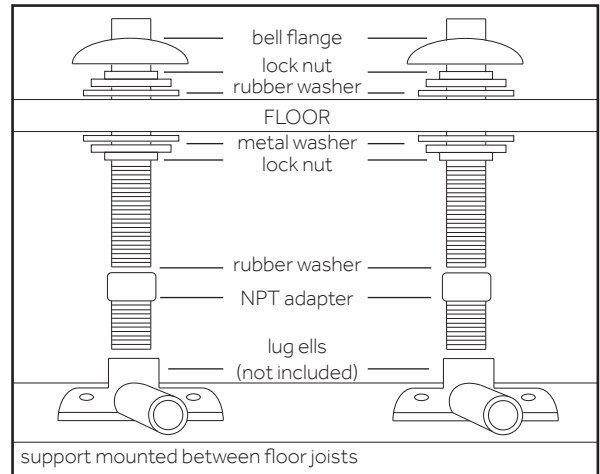


- A.** Rubber Washer (2)
- B.** Slip Nut (2)
- C.** Riser Pipe (2)
- D.** Bell Flange (2)
- E.** Lock Nut (2)
- F.** Rubber Washer (2)
- G.** Metal Washer (2)
- H.** Lock Nut (2)
- I.** Rubber Washer (2)
- J.** NPT Adapter (2)

1. Slide the slip nuts **(B)** up the upper riser pipes **(C)**.

2. Thread each of the bell flanges **(D)**, one lock nut **(E)**, and one rubber washer **(F)** onto the bottom of each lower riser pipe **(C)**. Insert the lower riser pipes into the prepared installation holes in the finished floor.

3. Thread one metal washers **(G)**, and one lock nut **(H)** onto each of the lower riser pipes from the under-floor access space. Connect the lower riser pipes to the main water supply using the rubber washers **(I)** and NPT adapters **(J)**.



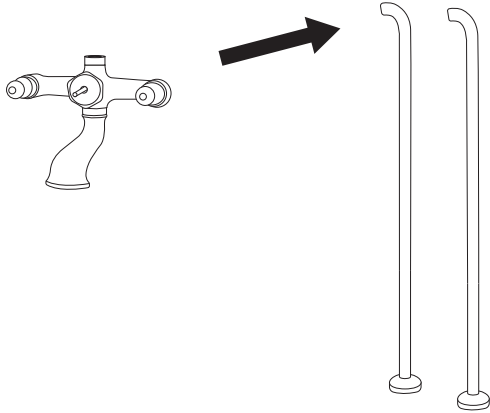
4. Insert the two remaining rubber washers **(A)** into the slip nuts at the top of the upper risers.

FREESTANDING TUB FAUCET

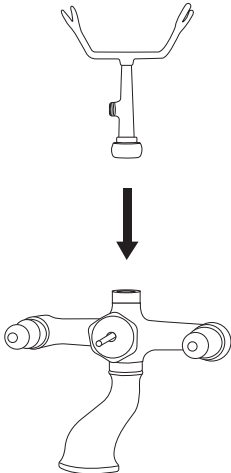
WITHOUT SHUTOFF VALVE

7. Apply thread sealant to the inlets on the back of the faucet body. Attach the faucet to the upper riser pipes and tighten the slip nuts to secure.

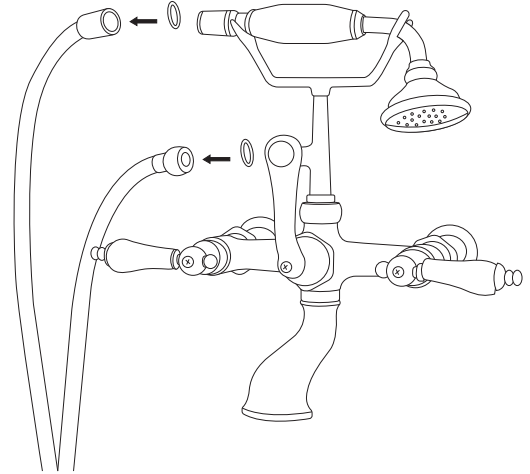
Tip: Wrap the slip nuts with a soft cloth while tightening, to avoid scratching the plated finish.



8. Attach the hand shower cradle to the faucet body by threading it into the top of the faucet. Apply plumber's tape or thread sealant to the thread before attaching. Tighten firmly.



9. Attach the hand shower to the faucet by using the provided flexible hose. Connect the hose to the outlet located on the cradle. Place the hand-held shower in the cradle.



10. Turn on the main water supply, then turn the faucet on. Allow the water to flow for approximately 60 seconds. Divert the water to the hand shower and allow the water to flow for another 60 seconds. Check to make sure that all connections are tight, and there are no leaks.

