

# MIRROR INSTALLATION INSTRUCTIONS

## FRENCH CLEAT

### BEFORE YOU BEGIN

We recommend consulting a professional if you are unfamiliar with installing this type of product. Signature Hardware accepts no liability for any damage to the floor, walls, plumbing, or personal injury during installation.

Observe all local plumbing and building codes.

Unpack and inspect the mirror for damage. If any damage is found, contact our Customer Relations team at 1-855-715-1800.

---

### GETTING STARTED

- Ensure that you have gathered all of the required materials that are needed for the installation.
- Use the mirror's PDF specification sheet as a reference when hanging your mirror. The specification sheet can be found and downloaded from the product page on our website.
- Because the specification measurements are approximate and slight variations may occur, we highly recommend waiting until the mirror is on-site before drilling.

### TOOLS AND MATERIALS:



Stud Finder



Level



Tape Measure



Pencil



Drill

REVISED 02/26/2019

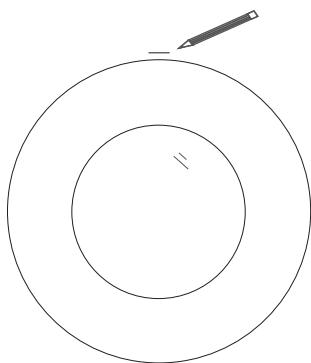
# MIRROR INSTALLATION INSTRUCTIONS

## FRENCH CLEAT

### INSTALLATION

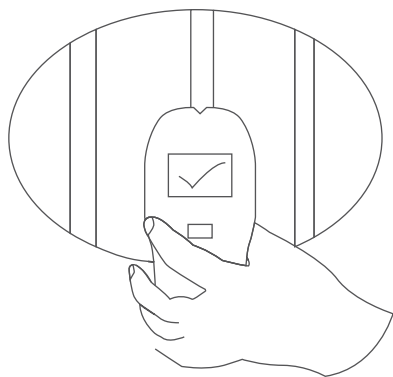
1. Center the mirror using a tape measure in the desired location on your wall. Use a pencil to mark a short line on the wall along the top of the mirror.

**Tip:** If necessary, have a second person help hold the mirror while you mark the wall.



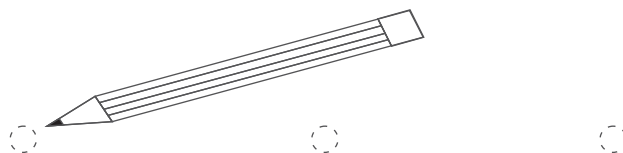
2. Using a stud finder, locate and mark the position of the wall studs to which you will fasten your mirror's mounting bracket.

**Tip:** If the studs do not line up to the mounting location for your mirror, wood blocking can be installed between the studs using standard 2 x 4's. We recommend consulting a professional if you are unfamiliar with this type of installation.



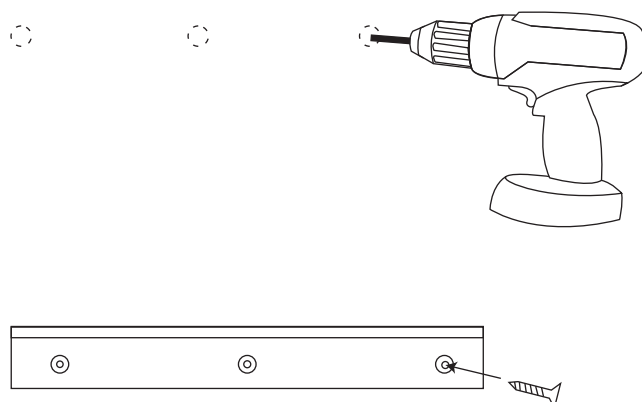
3. Determine the location for your mounting bracket, using the marked line for the top edge of the mirror and the marked stud locations as guidelines. Use a pencil to mark the location of the mounting holes. Ensure that the bracket is perfectly level before marking.

**Tip:** The mounting bracket does not have to be perfectly centered. The mounting bracket is designed to allow the mirror to shift slightly to the left or right as needed after installation.



4. Drill pilot holes into the marked mounting bracket location. Use the provided screws to secure the mounting bracket to the wall.

**Important:** A perfectly flat wall is required for proper hanging. If your wall is not flat, you may need to place thin shims behind the bracket to accommodate. Use a level or a straight edge on the face of the mounting bracket to check for high/low points, until the bracket is perfectly flat.



# MIRROR INSTALLATION INSTRUCTIONS

## FRENCH CLEAT

5. Hang your mirror by lifting it onto the mounting bracket. Once hung, the mirror can be slid slightly to the left or to the right for perfect positioning.

