



HOLLYN PUSH-BUTTON SHOWER SYSTEM

BEFORE YOU BEGIN

We recommend consulting a professional if you are unfamiliar with installing plumbing fixtures. Signature Hardware accepts no liability for any damage to the plumbing, floor, walls, tub, or for personal injury during installation.

Observe all local plumbing and building codes.

Unpack and inspect the item for shipping damage. If any damage is found, contact our Customer Relations team at 1-855-715-1800.

GETTING STARTED

- Ensure that you have gathered all the required materials that are needed for the installation.
- For the following installation instructions, it is assumed that the wall has been opened and that the existing shower set has been removed.
- Before you begin, the main water supply to your home should be shut off.

TOOLS AND MATERIALS:



Plumbers
Tape



Tape Measure



Phillips
Screwdriver



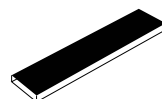
Adjustable
Wrench



Drill



Hex Wrench



Wood Blocking



Soldering Kit
(for copper pipe)



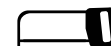
1/2" Test Plug



Level



Pencil or
Marker



Hacksaw

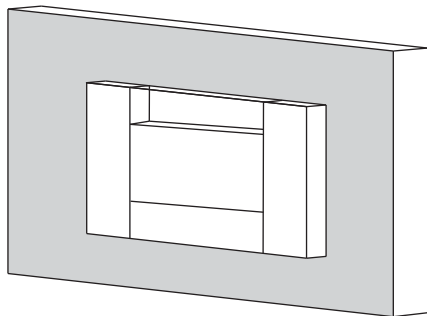


HOLLYN PUSH-BUTTON SHOWER SYSTEM

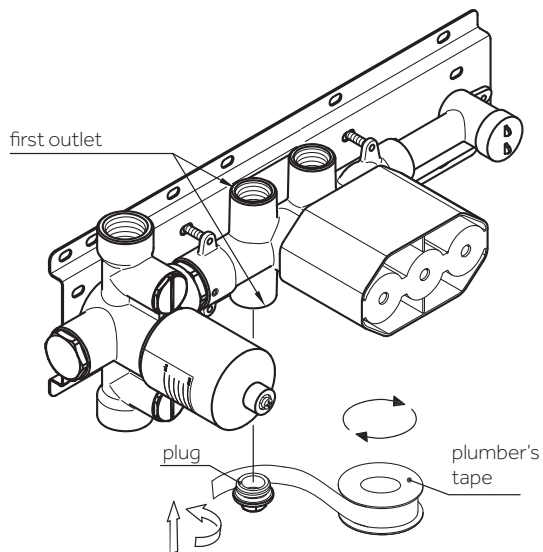
VALVE INSTALLATION

1. To prepare for installation, wood blocking should be installed between the two studs where the valve will mount. Be careful not to set the valve too far back into the wall. Use the sticker on the side of the valve for guidance.

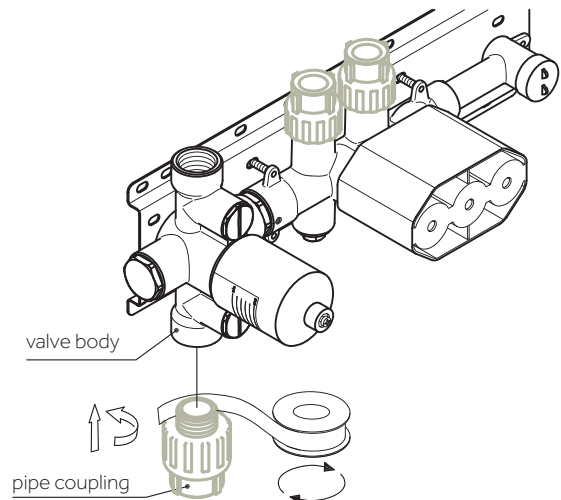
Important: Take into consideration the thickness of the finished wall materials, such as tile, when calculating measurements.



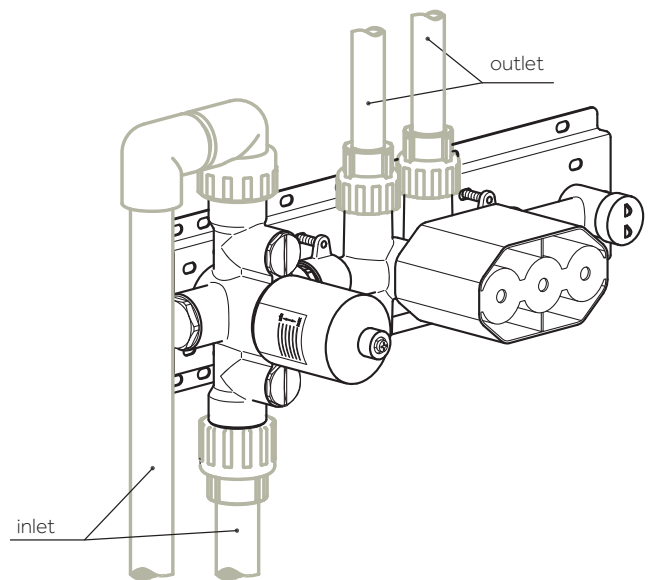
2. The valve's first joint contains an upper and lower outlet. Wrap the provided plug with plumber's tape and plug one of the two outlets indicated in the diagram below. Plug the outlet that will not be used.



3. Wrap the pipe couplings with plumber's tape and connect them to the valve body.



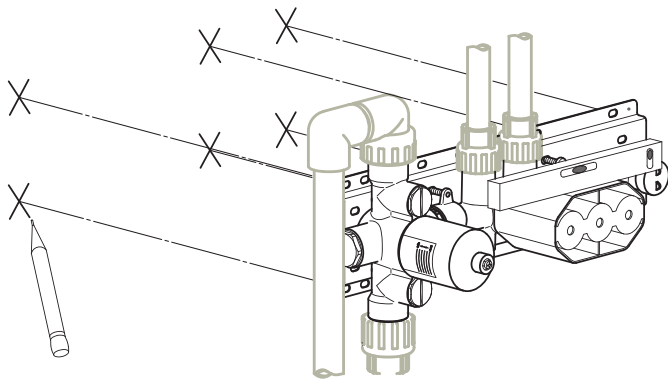
4. Connect the inlet and outlet pipes as shown in the diagram below.



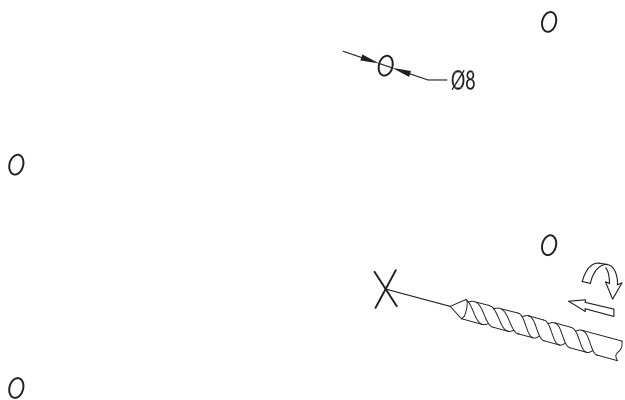


HOLLYN PUSH-BUTTON SHOWER SYSTEM

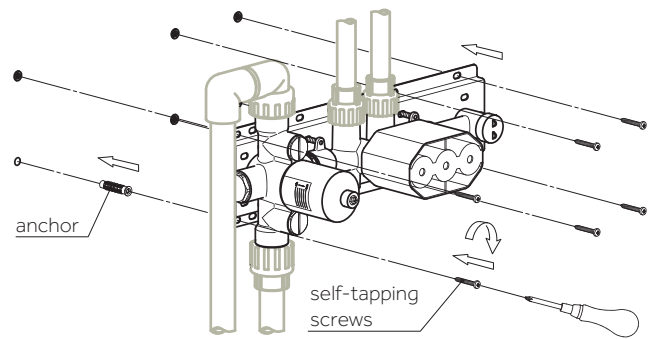
5. Use a level to adjust the valve body. Mark the location of the mounting holes on the wood blocking.



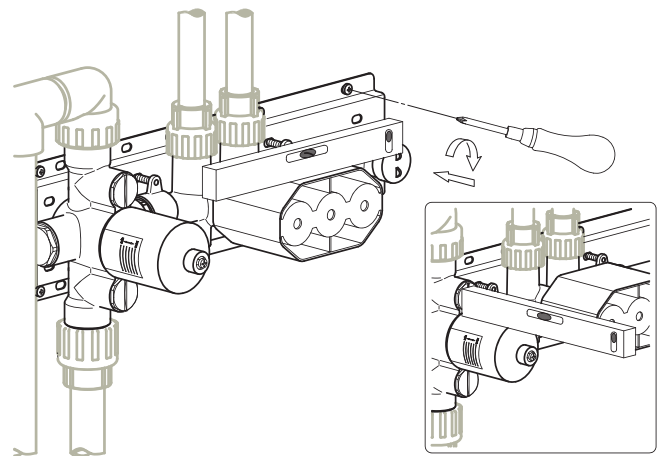
6. Drill holes at each of the six marked mounting hole locations using an 8 mm drill bit.



7. Insert the provided anchors into each of the drilled holes. Affix the valve using self-tapping screws.



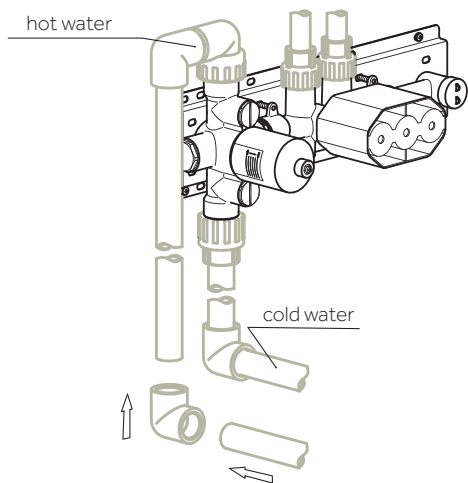
8. Use a level to ensure that the valve is mounted straight. Make adjustments as needed.



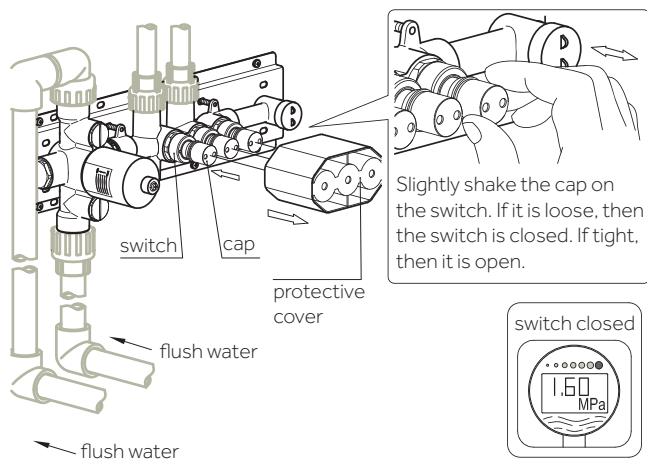


HOLLYN PUSH-BUTTON SHOWER SYSTEM

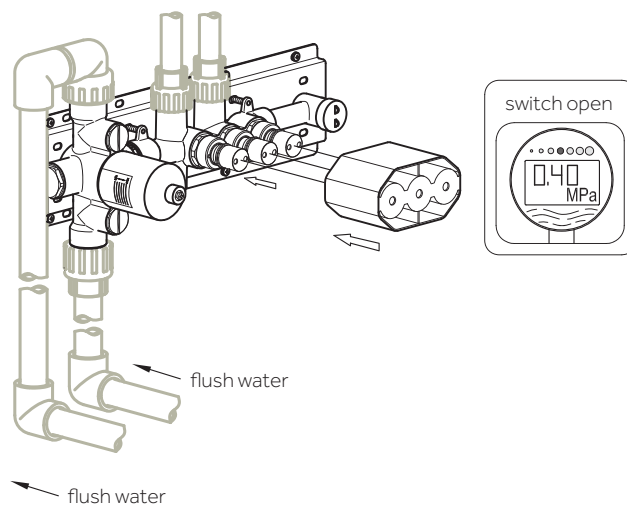
9. Flush the water lines to get rid of any dirt or debris, then connect the water feed lines. Hot water should be connected to the upper inlet, cold water to the lower inlet.



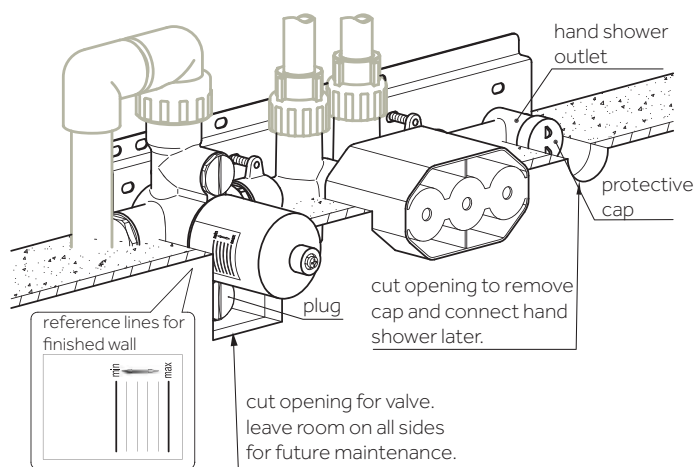
10. Remove the protective cover from the valve body, turn on the switch. Flush the water and check for any leaks.



11. Plug the outlets and open the two switches on the left. Flush the water and check for leaks. Then, replace the protective cover.



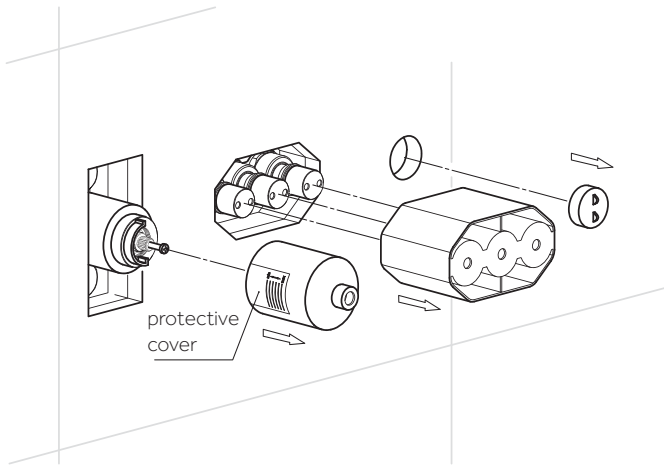
12. Proceed to the installation of your wall and all finished wall materials, including tile.



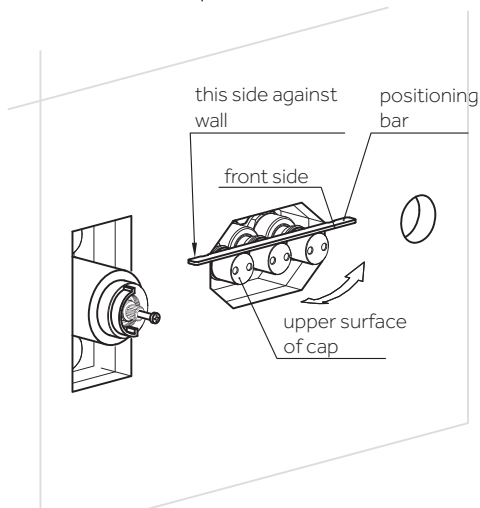


HOLLYN PUSH-BUTTON SHOWER SYSTEM

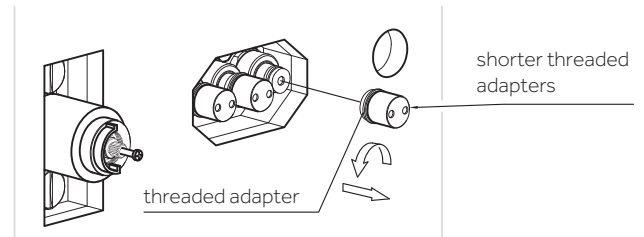
13. Remove all protective covers and caps once the finished wall is completed.



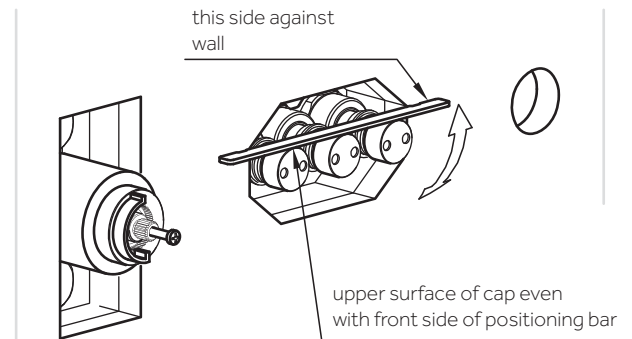
14. With the switch open, place the positioning bar against the wall as shown. If the upper surface of the cap is lower than the front side of the positioning bar, adjust the cap height so that it is even with the front side. Then, do as shown in step 17. If the upper surface of the cap is higher than the front side of the positioning bar, do as shown in step 15.



15. Replace with shorter adjustable threaded adapters and caps.



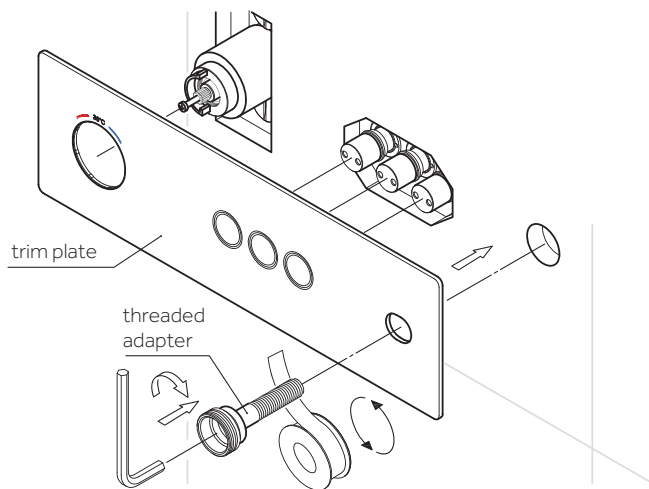
16. With the switch open, place the positioning bar against the wall as shown. Adjust the cap heights so that they align with the front side of the positioning bar.



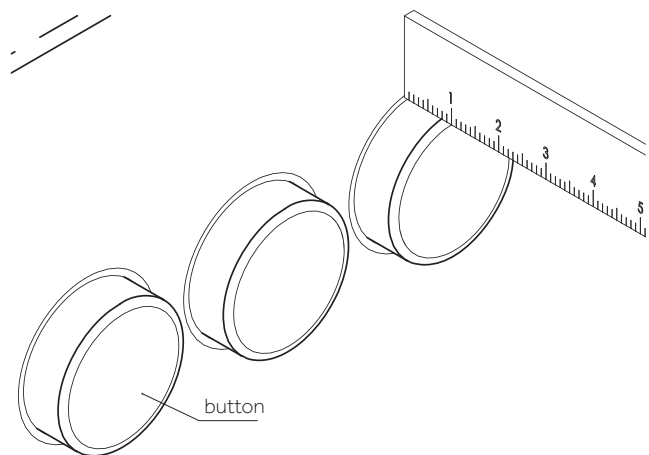


HOLLYN PUSH-BUTTON SHOWER SYSTEM

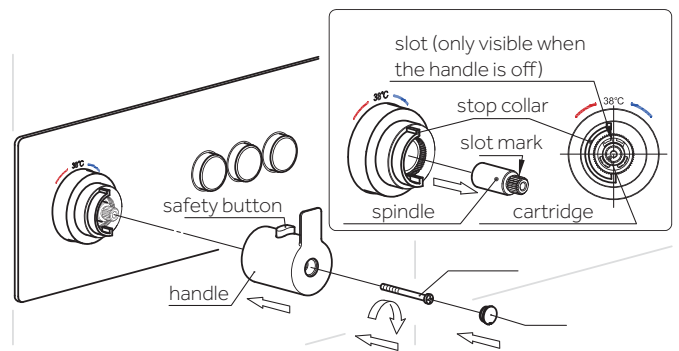
17. Place the trim plate onto the installed valve body. Wrap the hand shower's threaded adapter with plumber's tape and thread it into its outlet.



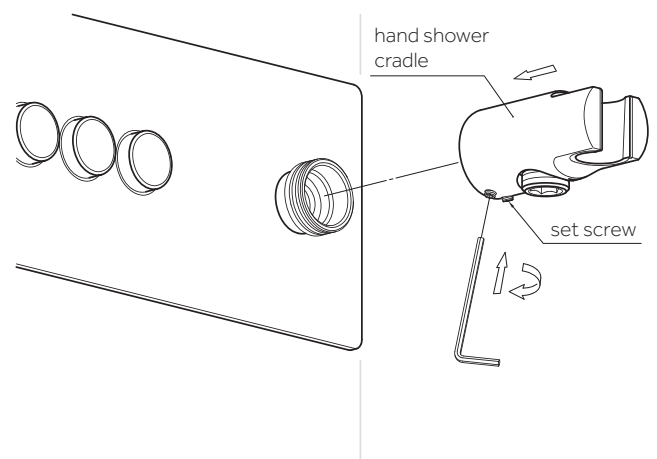
18. Test the buttons to ensure they are working properly with the fitment of the trim plate. When a button is pressed, it should extend approximately 1/4" from the trim plate.



19. Attach the control handle to the installed valve body. Ensure that the slot mark on the spindle, the stop collar, the safety button, and the 38°C mark are all aligned. Tighten the M4 screw then insert the screw cap.



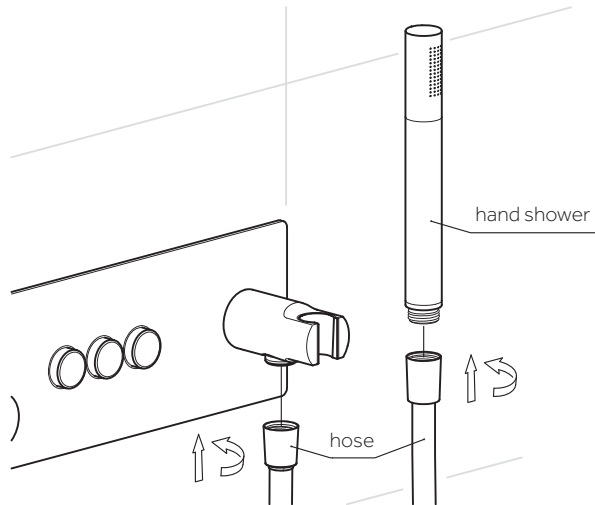
20. Install the hand shower cradle.



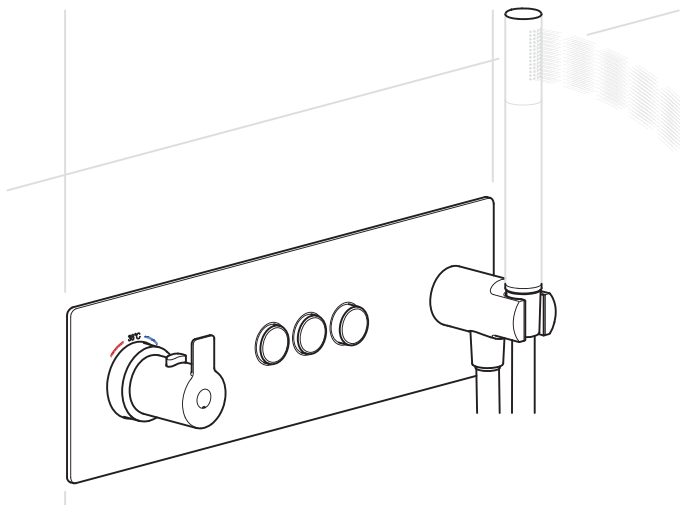


HOLLYN PUSH-BUTTON SHOWER SYSTEM

21. Connect the hand shower and hose to the cradle.



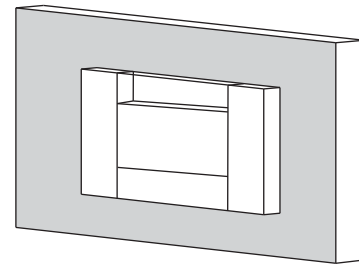
22. Test the functionality of the hand shower. Check for any leaks.



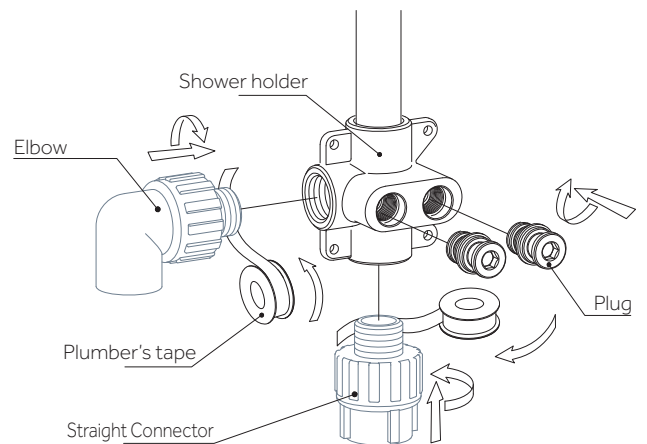
SHOWER HEAD INSTALLATION

1. To prepare for installation, wood blocking should be installed between the two studs where the valve will mount. Be careful not to set the valve too far back into the wall. Use the sticker on the side of the valve for guidance.

Important: Take into consideration the thickness of the finished wall materials, such as tile, when calculating measurements.



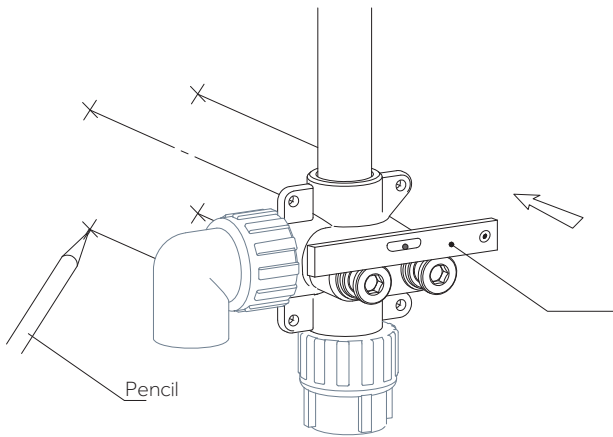
2. Apply plumber's tape to the threads of the two plugs, straight connector, and pipe elbow. Screw the two plugs, straight connector, and pipe elbow into the shower holder as shown.



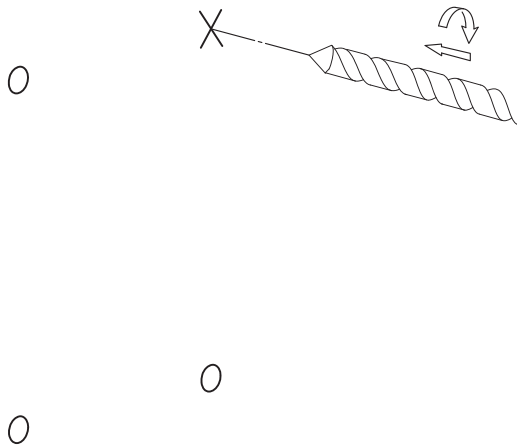


HOLLYN PUSH-BUTTON SHOWER SYSTEM

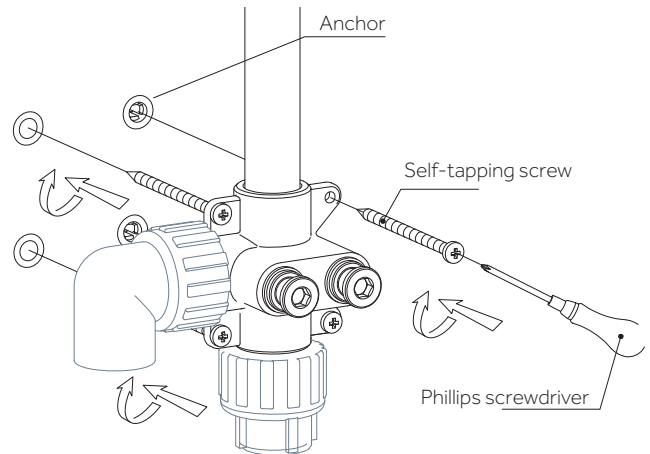
3. Use the four holes on the shower holder as a guide to mark mounting hole locations on the wall, as shown in the diagram below. Use a level to ensure an even installation.



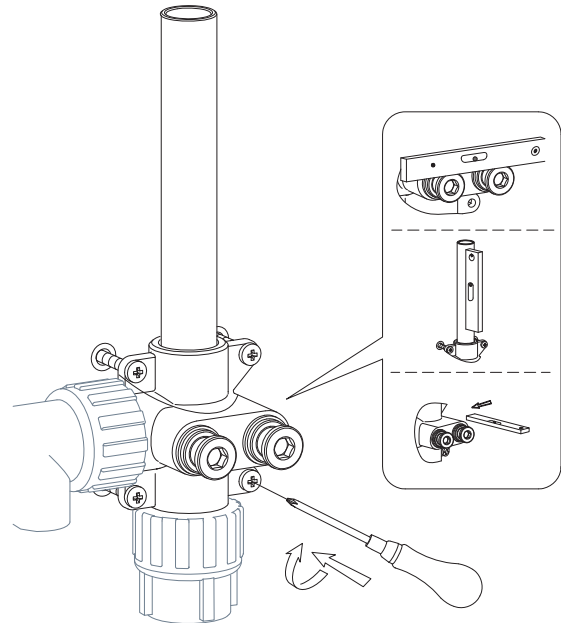
4. At each of the four marked mounting hole locations, drill an 8mm diameter hole.



5. Insert an anchor into each of the four drilled mounting holes, then affix the shower holder to the wall using self-tapping screws.



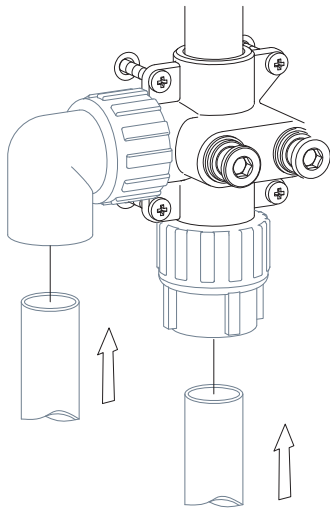
6. Tighten screws and use the level to ensure the shower holder remains straight, as shown in the diagram below.



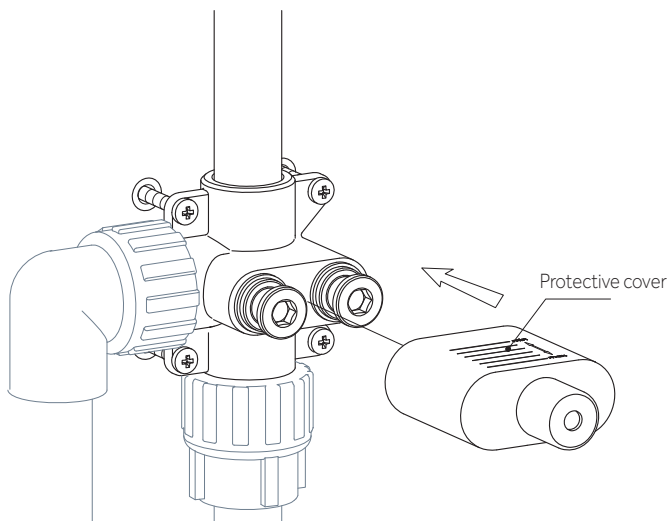


HOLLYN PUSH-BUTTON SHOWER SYSTEM

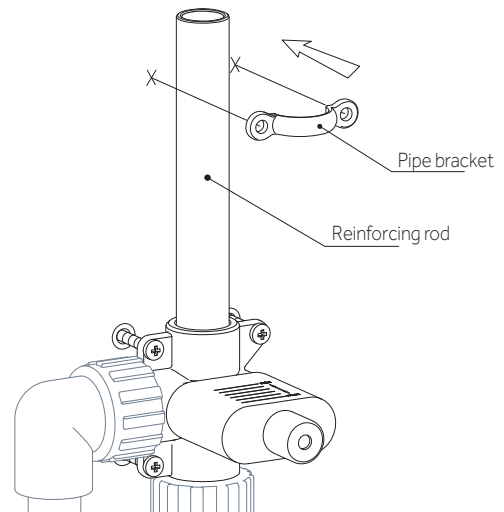
7. Clean pipes to get rid of dirt and turn on water to test pressure. Then, check for leaks.



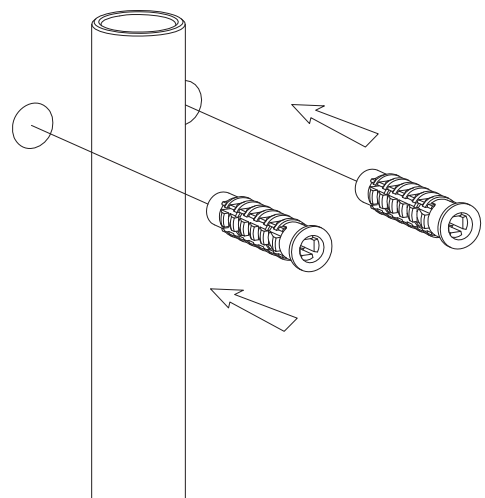
8. Put on the protective cover, as shown.



9. Use the pipe bracket as a guide to mark the two mounting hole locations on the wall, as shown in the diagram below.



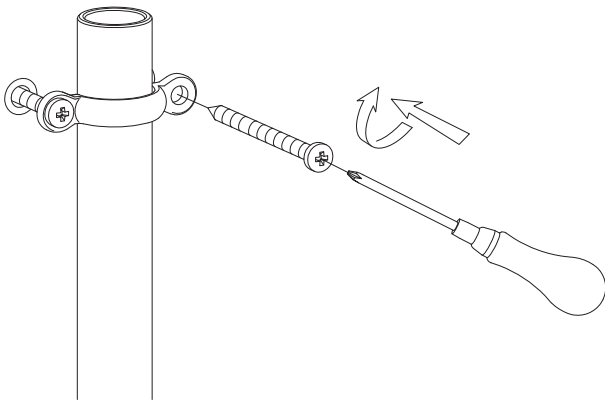
10. At both of the marked mounting hole locations, drill an 8mm diameter hole. Then, insert the anchors into the two holes.



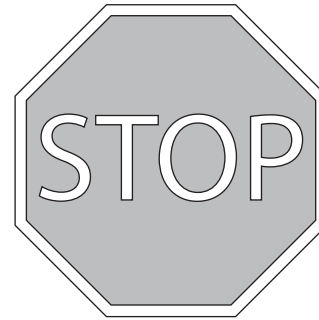
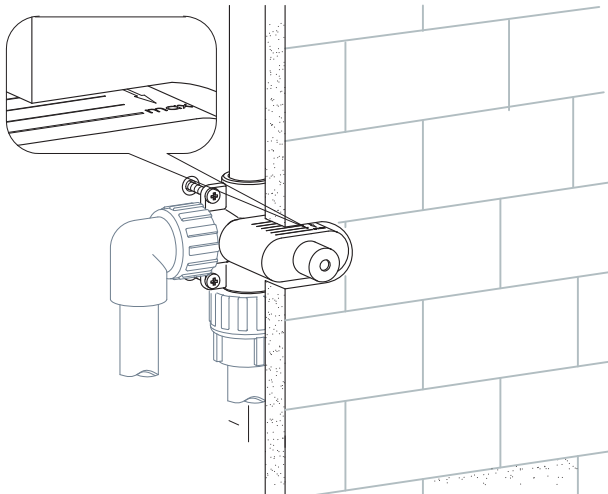


HOLLYN PUSH-BUTTON SHOWER SYSTEM

11. Attach the bracket to the wall using self-tapping screws.

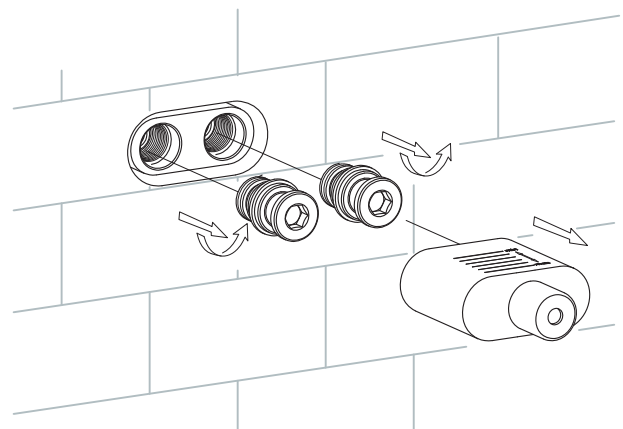


12. Proceed to wall installations, including tile. Use markings on the protective cover for guidance.



IMPORTANT: COMPLETE THE CONSTRUCTION OF YOUR WALL, INCLUDING ANY FINISHED WALL MATERIALS SUCH AS TILE, BEFORE PROCEEDING WITH THE REMAINDER OF THE INSTALLATION.

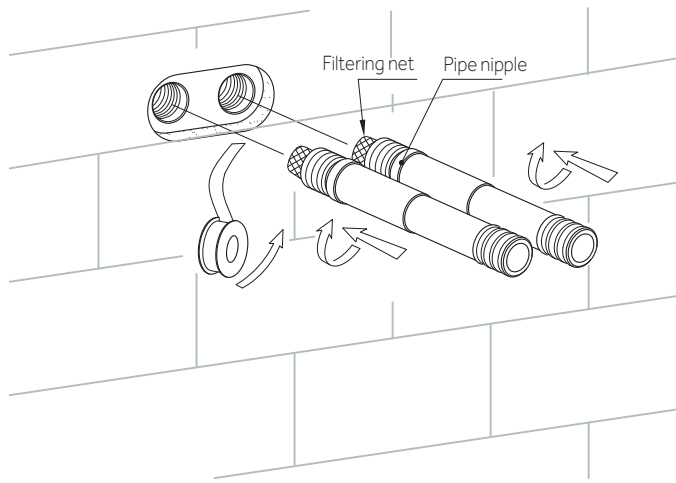
13. Pull off the protective cover and unscrew the two plugs.



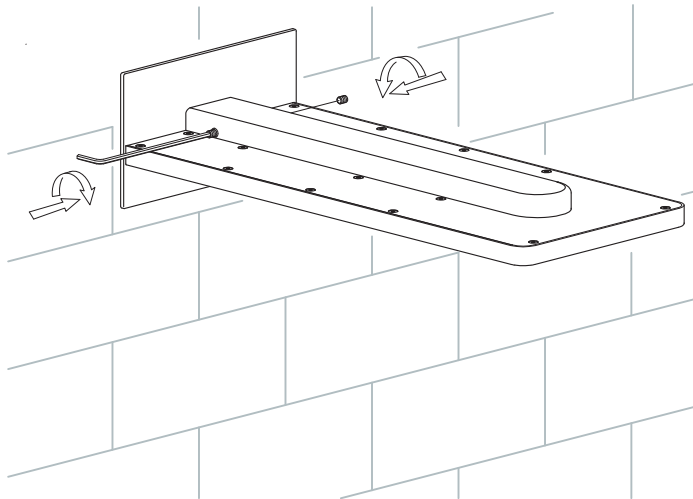


HOLLYN PUSH-BUTTON SHOWER SYSTEM

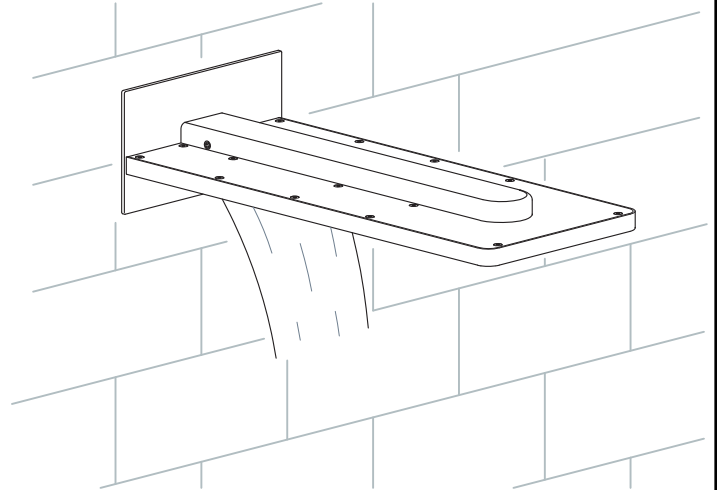
14. Wrap plumbers tape around the pipe nipples and screw them into the wall.



15. Attach the shower head to the wall. Then, fasten with the M6 screw.

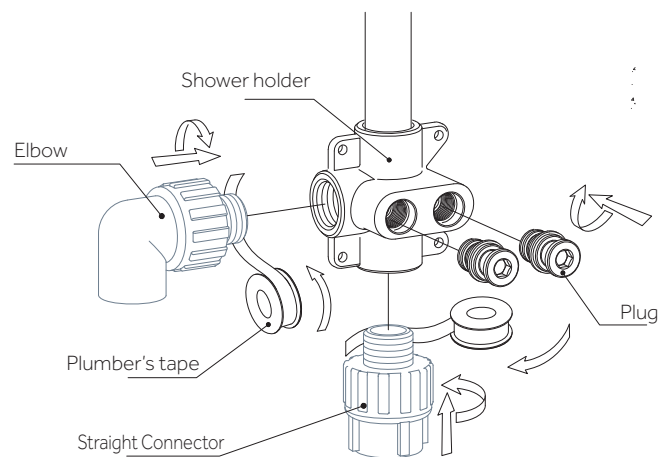


16. After installation, run the water to remove any debris or dirt.



INSTALLATION: WAY 2

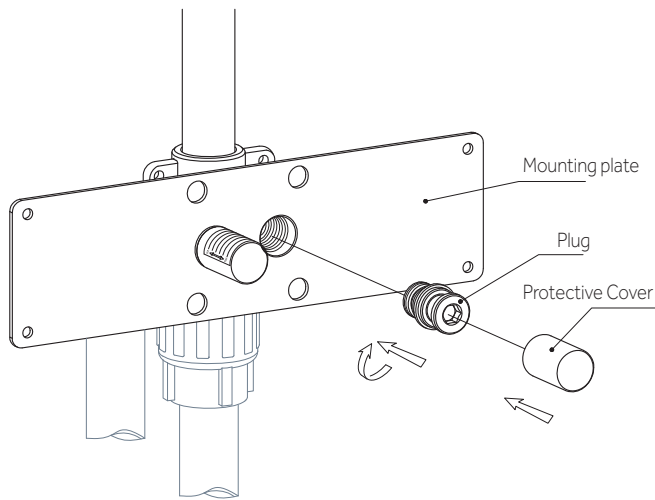
1. Apply plumber's tape to the threads of the two plugs, straight connector, and pipe elbow. Screw the two plugs, straight connector, and pipe elbow into the shower holder as shown.



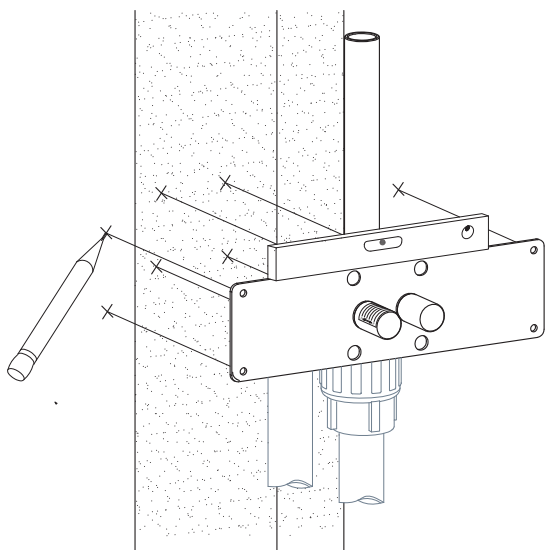


HOLLYN PUSH-BUTTON SHOWER SYSTEM

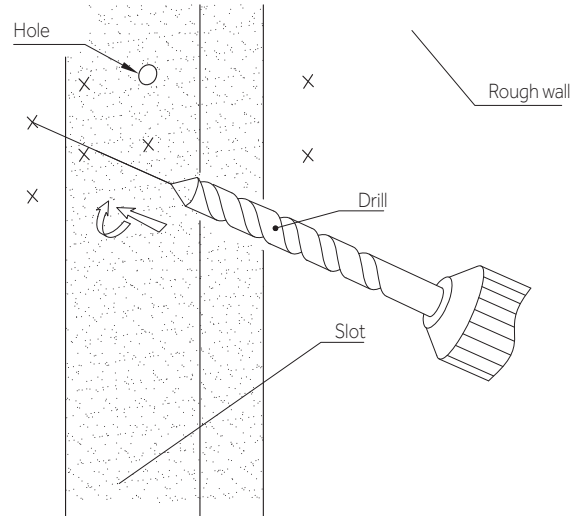
2. Attach the mounting plate to the plug and tighten with a S7 wrench. Then, put on the protective cover over the plug.



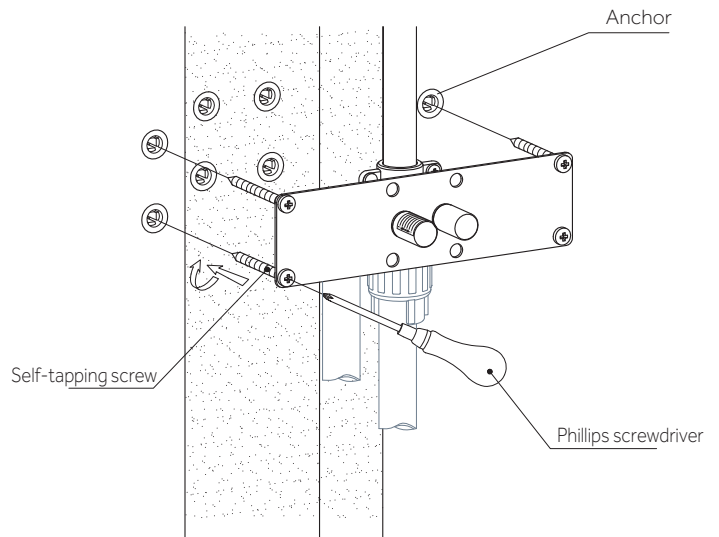
3. Use the four holes on the shower holder and the four holes on the mounting plate as a guide to mark mounting hole locations on the wall, as shown in the diagram below. Use a level to ensure an even installation.



4. At each of the marked mounting hole locations, drill an 8mm diameter hole.



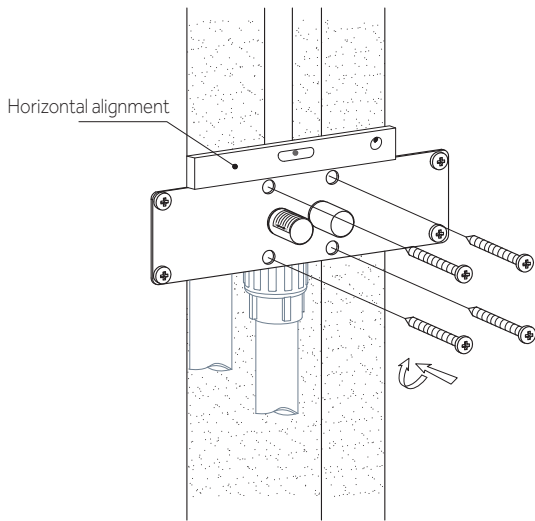
5. Insert an anchor into each of the drilled mounting holes, then affix the mounting plate to the wall using self-tapping screws.



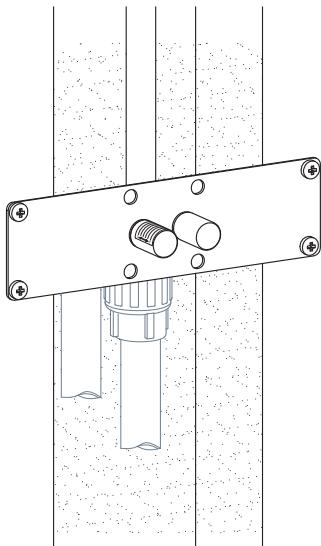


HOLLYN PUSH-BUTTON SHOWER SYSTEM

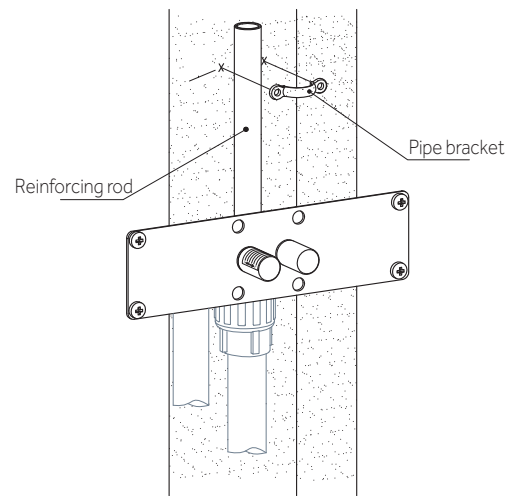
6. To ensure an even installation use a level, then tighten the shower holder and locating plate.



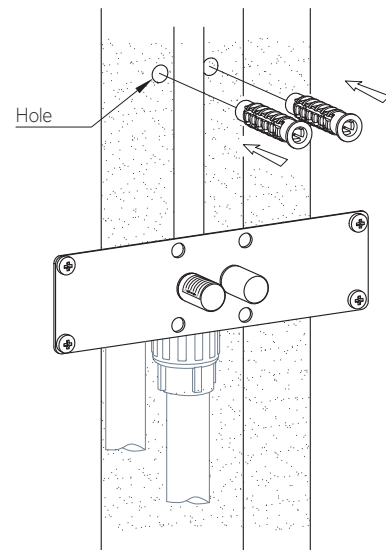
7. To test the pressure, turn on the water and make sure there are no leaks.



8. Use the pipe bracket as a guide to mark the two mounting hole locations on the wall, as shown in the diagram below.



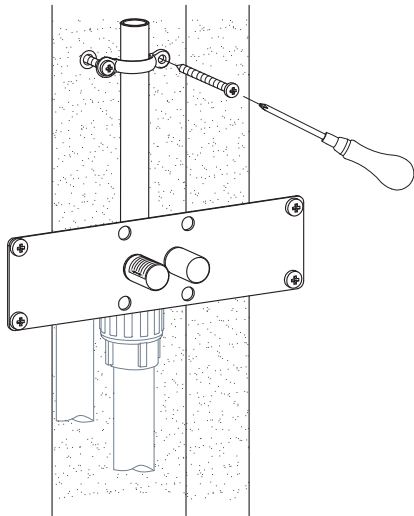
9. At both of the marked mounting hole locations, drill an 8mm diameter hole. Then, insert the anchors into the two holes.



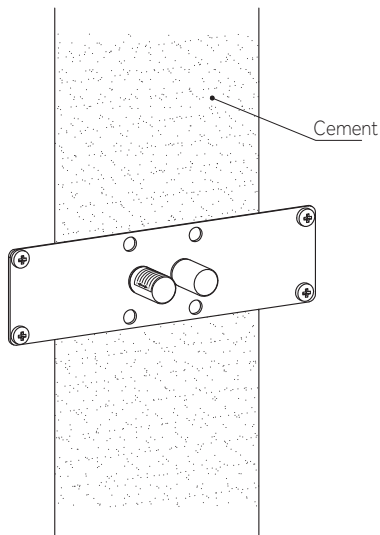


HOLLYN PUSH-BUTTON SHOWER SYSTEM

10. Attach bracket to wall using self-tapping screws.

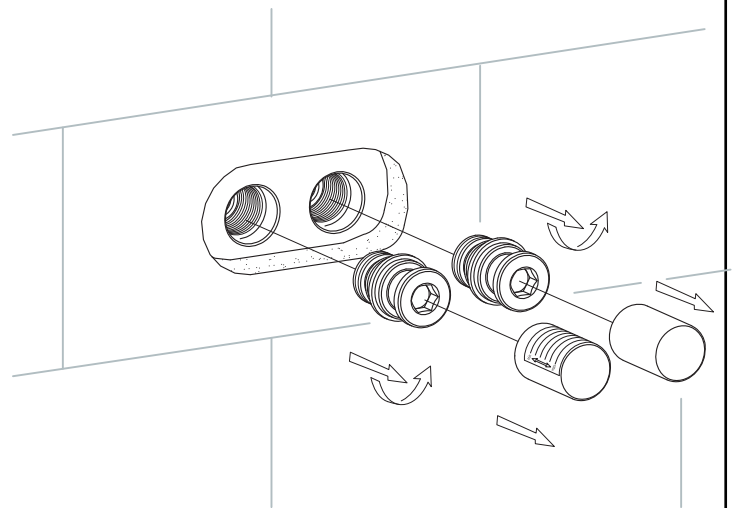


11. Fill in the slot with cement and proceed to wall installation, including tile.



IMPORTANT: COMPLETE THE CONSTRUCTION OF YOUR WALL, INCLUDING ANY FINISHED WALL MATERIALS SUCH AS TILE, BEFORE PROCEEDING WITH THE REMAINDER OF THE INSTALLATION.

12. Pull off the protective cover and unscrew the two plugs.





15. After installation, run the water to remove any debris or dirt.

